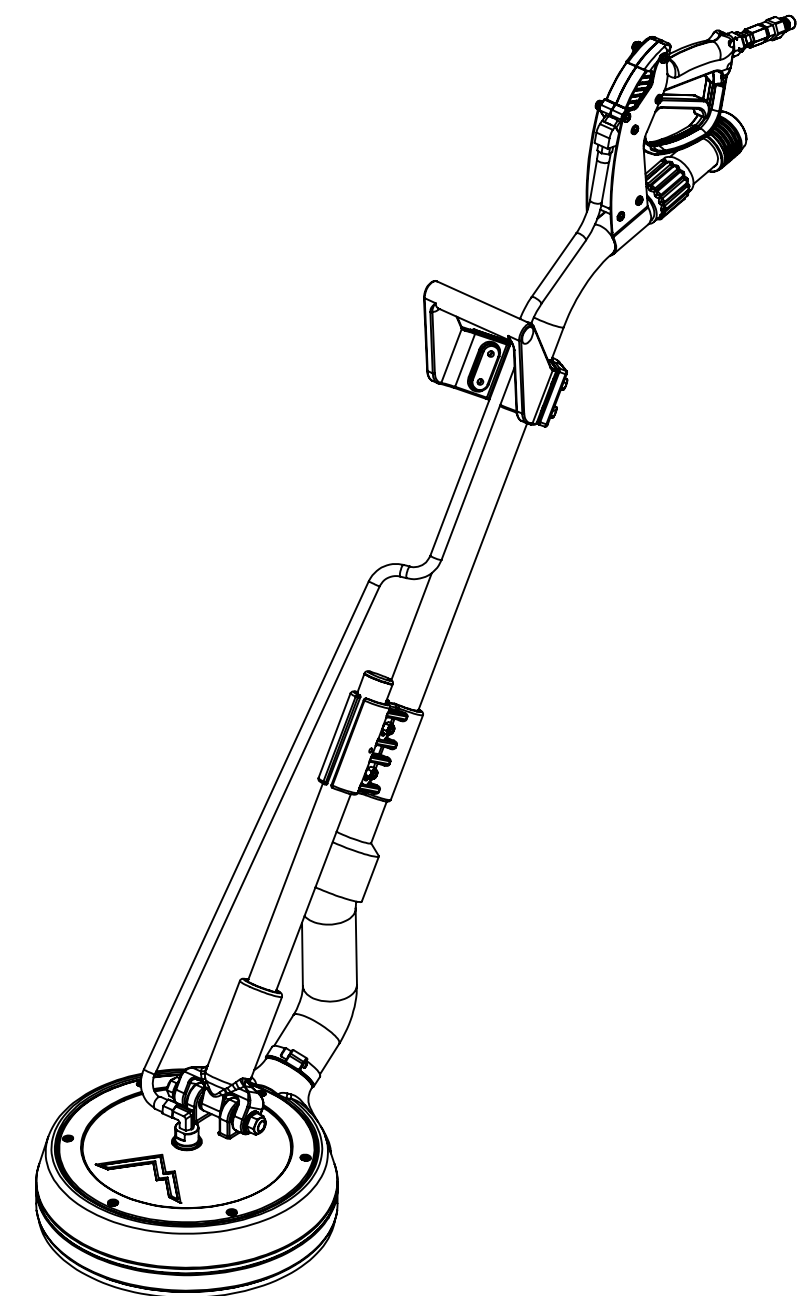
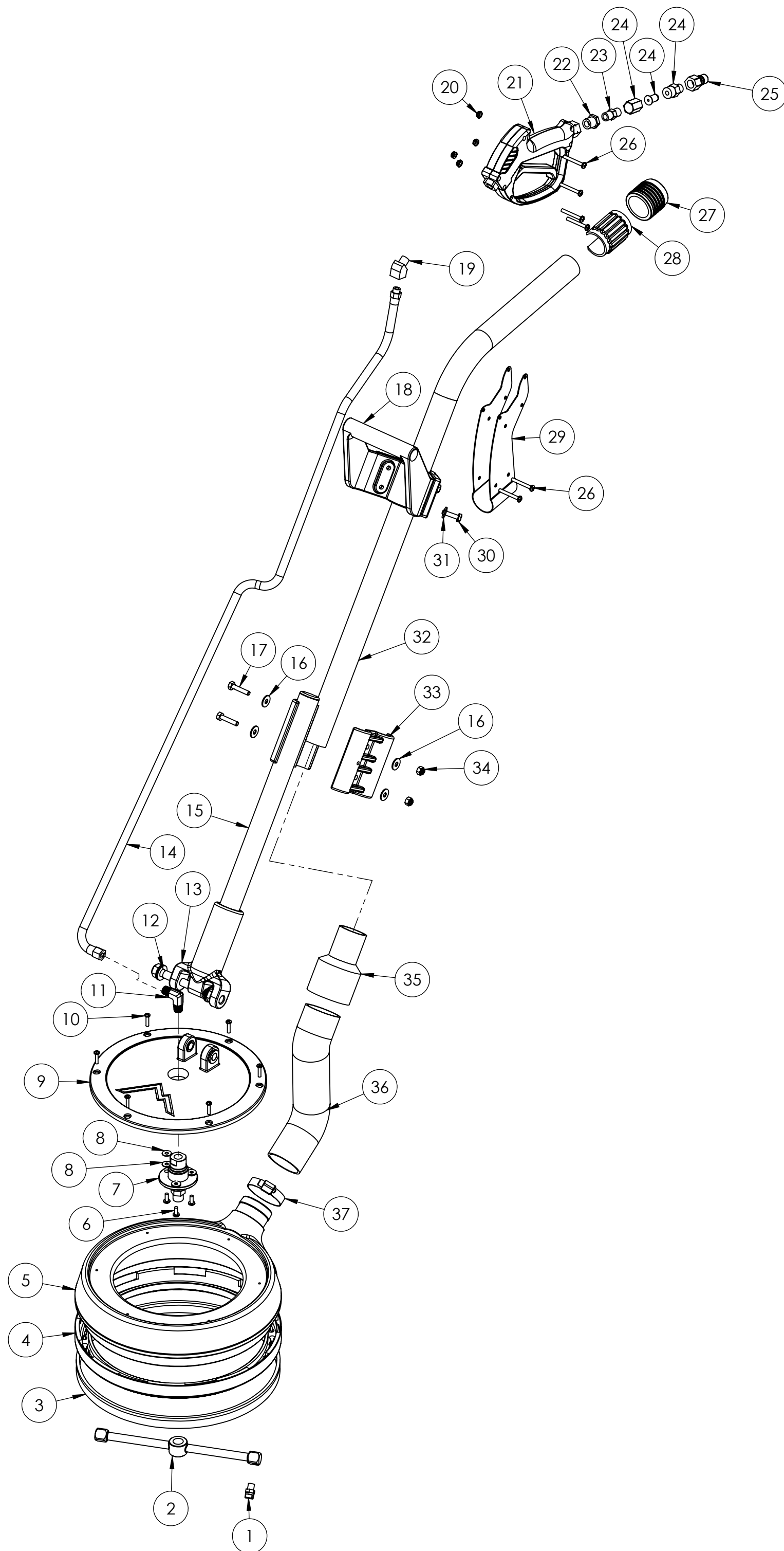


| ITEM NO. | PART NO. | DESCRIPTION                               | QTY. | MSRP        |
|----------|----------|---|------|-------------|
| 1        | H505A    | jet, s/s, 1/8", 1502                      | 2    | \$9.99 ea   |
| 2        | H441     | bar, t, straight, 42 deg, 10"             | 1    | \$129.99 ea |
| 3        | G098     | brush, spinner ring                       | 1    | \$24.99 ea  |
| 4        | P500     | spinner ring, nylon                       | 1    | \$25.99 ea  |
| 5        | P689A    | manifold, 12" spinner, low profile        | 1    | \$51.99 ea  |
| 6        | H230     | screw, 10-32 x 1/2" phil pan head, s/s    | 3    | \$0.99 ea   |
| 7        | H926     | swivel, spinner                           | 1    | \$208.99 ea |
| 8        | H289     | Washer #10 flat, s/s                      | 6    | \$0.99 ea   |
| 9        | H465A    | mounting plate, 12" spinner               | 1    | \$84.99 ea  |
| 10       | H882     | screw, 8 x 3/4 phil pan head, type a, s/s | 6    | \$0.99 ea   |
| 11       | B136     | elbow, brass, 90 deg, 1/4" mpt x 1/4" mpt | 1    | \$4.99 ea   |
| 12       | H008     | set; bolt, 2 lock nuts, 4 washers         | 1    | \$2.99 ea   |
| 13       | H102     | yoke, spinner                             | 1    | \$11.99 ea  |
| 14       | AH206    | sol hose, 1/4" x 48", 1/4 fsw x 1/4 mpt   | 1    | \$21.99 ea  |
| 15       | H197     | handle, lower, wand style spinner         | 1    | \$17.99 ea  |
| 16       | H210     | washer, 1/4" flat, s/s                    | 4    | \$0.99 ea   |
| 17       | H203     | bolt, 1/4-20 x 1-1/4"                     | 2    | \$0.99 ea   |
| 18       | H785     | grip, 1.5" dia, wand                      | 1    | \$15.99 ea  |
| 19       | B130     | 45 deg, street elbow, brass, 1/4" male    | 1    | \$5.49 ea   |
| 20       | H458     | nut, lock, 10-32, thin pattern            | 6    | \$0.99 ea   |
| 21       | H540     | gun, high pressure                        | 1    | \$41.99 ea  |
| 22       | B105     | bushing, brass, 3/8"mpt x 1/4"            | 1    | \$3.19 ea   |
| 23       | B107     | nipple, brass, 1/4"m, hex                 | 1    | \$3.19 ea   |
| 24       | B247     | filter, in-line, 100 mesh, 1/4" MPT x FPT | 1    | \$13.99 ea  |
| 25       | B101     | qd, brass, 1/4" m                         | 1    | \$8.49 ea   |
| 26       | H457     | screw, 10-32 x 1-1/2", p-pan              | 6    | \$0.99 ea   |
| 27       | P719     | barb, 1-1/2" ID x 2" OD, spinners         | 1    | \$4.99 ea   |
| 28       | G082     | cap, vacuum relief slot (spin)            | 1    | \$3.25 ea   |
| 29       | H614A    | gun style valve clamp, 1.5"               | 1    | \$16.99 ea  |
| 30       | H342     | bolt, 1/4-20 x 1" hex head, s/s           | 4    | \$0.99 ea   |
| 31       | H148     | washer, 5/16", narrow                     | 4    | \$0.99 ea   |
| 32       | H616     | tube, 1.5" spinner, wand style            | 1    | \$81.99 ea  |
| 33       | H613A    | clamp, spinner handle, 1.5" x 1.25"       | 2    | \$11.99 ea  |
| 34       | H216     | nut, lock, 1/4-20, nylon insert, s/s      | 2    | \$0.99 ea   |
| 35       | H142     | cuff, 2" thread x 1-1/2" slip             | 1    | \$14.99 ea  |
| 36       | PH628-24 | hose, vac wire reinforced 2"              | 1    | \$8.99/ft   |
| 37       | H217     | clamp, hose, 2-1/4 dia                    | 1    | \$1.49 ea   |

**ITEMS NOT SHOWN**

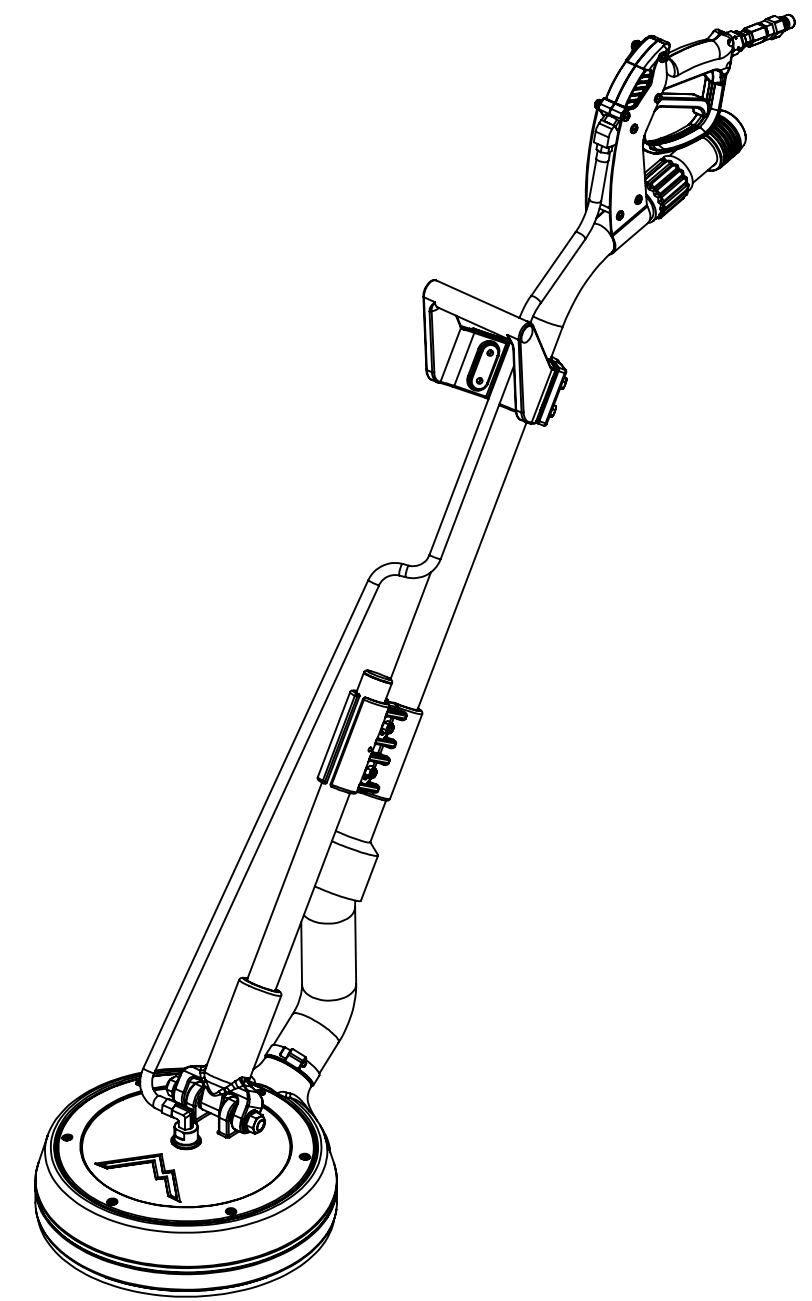
| PART NO. | DESCRIPTION                         | QTY. | MSRP      |
|----------|-------------------------------------|------|-----------|
| G102     | gasket, cork, 3/4" X 3", 1/8" thick | 3    | \$1.99 ea |



|   |              |                      |  |          |
|---|--------------|----------------------|--|----------|
|   | NAME         | DATE                 | <b>MYTEE PRODUCTS, INC.</b><br>858-679-1191    |          |
| DRAWN   | M. LaBarbera | 8/22/11              | TITLE:<br><b>Spinner,<br/>Wand Style, 1.5"</b> |          |
| CHECKED   |              |                      | SIZE DWG. NO.                                  | REV      |
| <small>PROPRIETARY AND CONFIDENTIAL<br/>THE INFORMATION CONTAINED IN THIS DRAWING IS THE SOLE PROPERTY OF MYTEE PRODUCTS, INC. ANY REPRODUCTION IN PART OR AS A WHOLE WITHOUT THE WRITTEN PERMISSION OF MYTEE PRODUCTS, INC. IS PROHIBITED.</small> |              |                      | <b>C</b>                                       | <b>E</b> |
|   |              |                      | 8903   |          |
| SCALE: 1:6  |              | DO NOT SCALE DRAWING | SHEET 1 OF 2                                   |          |

**REVISIONS**

| REV. | DESCRIPTION                  | DATE       | APPROVED |
|------|------------------------------|------------|----------|
| OD   | ORIGINAL DRAFT               | -          | JFL      |
| A    | ADDED B105                   | 3/10/2014  | ML       |
| B    | ADDED P500 & G098            | 4/21/2014  | ML       |
| C    | REPLACED H616B w H197 & H102 | 11/24/2014 | ML       |
| D    | UPDATE FILTER ASSEMBLY       | 5/4/2015   | ML       |
| E    | H505A REPLACES H505          | 6/15/2015  | ML       |



|   |              |         |  |                         |
|---|--------------|---------|--|-------------------------|
|   | NAME         | DATE    | <b>MYTEE PRODUCTS, INC.</b><br>858-679-1191    |                         |
| DRAWN   | M. LaBarbera | 8/22/11 | TITLE:<br><b>Spinner,<br/>Wand Style, 1.5"</b> |                         |
| CHECKED   |              |         | SIZE DWG. NO.                                  | REV                     |
| <small>PROPRIETARY AND CONFIDENTIAL<br/>THE INFORMATION CONTAINED IN THIS<br/>DRAWING IS THE SOLE PROPERTY OF<br/>MYTEE PRODUCTS, INC. ANY<br/>REPRODUCTION IN PART OR AS A WHOLE<br/>WITHOUT THE WRITTEN PERMISSION OF<br/>MYTEE PRODUCTS, INC. IS<br/>PROHIBITED.</small> |              |         | <b>C</b>                                       | <b>8903</b>             |
|   |              |         | SCALE: 1:6                                     | DO NOT<br>SCALE DRAWING |