

Trusted Clean

12 Gallon Box Extractor OWNER'S MANUAL & PARTS LIST

This equipment is intended for commercial use only



TRUSTED CLEAN MODELS

12-100-CE-TC ♦ 12-100-CE-HEAT-TC

1-888-722-5508

BEFORE OPERATING THE MACHINE

Read the manual carefully and completely before attempting to operate the unit. This manual has important information for the use and safe operation of the machine. Keep this manual handy at all times. This machine will assure years of satisfactory service if operated and maintained according to recommendations in this manual. If additional information is needed, please call or write to:

CleanFreak
P.O. Box 569
Wausau, WI 54402

WARNING!

- ◆ The machine was designed for use on carpet, floor and upholstery extraction applications as per instructions and recommendations written in this manual. Any deviation from its proper use or purpose and the consequential damage that may occur is the sole responsibility of the end user.
- ◆ Disconnect the power cord from the outlet before servicing. Do not leave the machine connected to an electrical outlet when unattended.
- ◆ Do not immerse or use this machine in standing water. Such use may cause electric shock.
- ◆ This equipment is not designed to handle or use combustible/volatile substances such as gasoline or kerosene, in, on, or near the machine. The use of such materials will cause an extremely hazardous condition.
- ◆ When using an extension cord, use only a 3-prong conductor grounding cord- 12 gauge wire or heavier.
- ◆ To avoid electric shock, do not expose the machine to rain. Store it indoors only.
- ◆ Do not use the machine for dry vacuuming, as it is not equipped with a fine dust filter.
- ◆ Use a defoamer at all times to prevent damage to the vacuum motors. If defoamer is not used, or not used sufficiently, foam from your chemical or chemical left in the carpet from a previous cleaning may be ingested into and damage your vacuum motors. Failure to use a defoamer may cause water damage to the vacuum system and void warranty.
- ◆ Do not use water in excess of 135°F (57°C) in the solution tank as it may damage the solution system.
- ◆ To prevent seal damage and chemical build-up to the pump system, run clean water through the solution lines after each day's use.
- ◆ Use only commercially available carpet cleaning solutions and defoamer intended for use with machines of this type. Do not use dyes, bleaches, ammonia, or other additives. The use of powdered cleaning solution if not diluted properly may result in damage to the pump. If powdered chemicals are used, premix in a separate container according to directions on the container before placing in the solution tank. Monitor and clean intake filters to prevent clogs. Replace damaged filters immediately to prevent damage to pump.
- ◆ Do not expose the machine to freezing temperatures, or store inside a room or vehicle where the temperature might drop to freezing temperatures.
- ◆ For troubleshooting or technical issues, please contact Cleanfreak.
- ◆ Do not use replacement parts other than those specified on the parts list or recommended by a Cleanfreak representative.

FOR UNITS EQUIPPED WITH EXTERNAL HEATER

- ◆ Read and understand the external heater owner's manual before using the heater on your extractor.
- ◆ Do not run heater dry! Turn on your pump and run solution completely through the system prior to turning on the heater. Be advised that water in the tank does not ensure that water is in the heater. Turn off your heater immediately if you run out of water in the machine, and do not activate again until water has once again been run through system.
- ◆ Water hookups must be in place and water flowing through the heater prior to turning it on. Failure to do so may cause internal component damage and will void warranty.
- ◆ Heater must be filled with water or water based solutions at all times when in use. Turn off the switch and unplug the heater from outlet when not in use.
- ◆ Do not use heater at more than 500 psi.
- ◆ Do not immerse heater in water.
- ◆ To avoid explosion and / or fire, do not use solvents or any flammable liquid in heater.

FAILURE TO COMPLY WITH THE ABOVE WARNING INSTRUCTIONS WILL VOID THE WARRANTY

GROUNDING INSTRUCTIONS

The 120V A/C and the 220V A/C models have been outfitted with the appropriate grounded connectors. Make sure the machine is connected to a grounded outlet having the same configuration as the grounded plug. No adaptor should be used with this machine. Any modification to the connectors will void the warranty.

PREPARING THE MACHINE

IMPORTANT: For all Trusted Clean equipment, use only the correct Trusted Clean high pressure, high heat wands & upholstery tools. They are designed to deliver and maintain the correct gallons per minute (GPM), pressure (PSI) and heat when attached to the Trusted Clean pump system. Use of other manufacturer wands can cause over-wetting of carpet, damage to the pump system (including hose & fittings), lack of pressure and heat.

1. Pour properly mixed cleaning solution or water into the solution tank using a new or clean bucket. Add defoamer per chemical manufacturer's instructions on label. For more information, see warning section in this manual.
2. Slide vacuum hose cuff onto the black hose adapter (located at the top left of the rear of the machine) and then slide the cuff from the other end of the vacuum hose onto the tool being used.
3. Connect the male end of the solution hose to the wand and the female end to the machine by pulling back the knurled collar on the female quick disconnect fitting and pushing the male fitting in, then release the knurled collar to lock the male into place. You should hear it click fully into place.
4. Make sure the drain valve is closed by pushing the T-handle all the way in. Failure to close a drain valve will result in leaking of dirty water or loss in suction. Keep the drain valve clean as debris may prevent a proper seal.
5. If a Powerwand is to be used with the machine, connect the male electrical plug coming from the wand to the optional power receptacle on the machine. If your machine is not factory equipped with a power receptacle a Powerwand may still be used by plugging the Powerwand's electrical cord directly into a 3-prong wall outlet.

ADDITIONAL INSTRUCTIONS FOR MACHINES WITH OPTIONAL EXTERNAL HEATER INSTALLED:

1. Be sure to fill the solution tank with water before plugging in the machine.
2. Water hookups must be in place and water flowing through the heater prior to turning heater on. Failure to do so may cause internal component damage and will void the warranty. For more information see Warnings section.
3. Spray water through the tool / wand before turning on the heater to assure that there is water flow.
4. Heater must be filled with water or water based solutions at all times when in use.
5. Plug heater power cord and machine power cord into separate outlets on separate circuits.
6. Turn off the switch and unplug the heater from outlet when not in use.
7. Do not use heater at more than 500 PSI.
8. Turn on heater switch when you are ready to clean.

CAUTION: When the green light on the heater is on, the heat element is heating the water up to the proper temperature. When the green light is off, the water in the heater tank is up to temperature and the thermostat switch in the heater has turned the heater off. It will automatically turn on and off throughout your job to provide the correct temperature.

OPERATING INSTRUCTIONS – CARPET TOOL

1. Turn on the vacuum and solution switches one at a time to prevent an amp surge. Making sure that the wand is evenly positioned on the carpet, slowly pull it towards you with the solution valve trigger engaged. Then release the trigger while making a forward pass along the same area. This pass is called a dry pass because it is done with the trigger disengaged thus using only the vacuum (no spray). Now position your wand head for your next pass and repeat. Do not over-wet carpet. Make overlapping passes to prevent streaking.
2. On heavily soiled carpets, we recommend using a pre-spray solution. You can find the proper chemical for the proper type of stain and soil by consulting Cleanfreak.
3. When you run out of solution, turn off the machine completely (including the heater if applicable). Attach the drain elbow on the drain valve. Place a pail under the downspout and pull up the drain valve T-handle.

Dirty solution will pour out until the tank is empty. Close the drain valve. Use a clean bucket when you refill the solution tank. Do not use the bucket that was used for draining.

4. When the job is completed, turn the switches off and disconnect the vacuum and solution hoses from the carpet and the machine. Be careful of dripping at the time of disconnection as solution may still be in the lines. Drain the recovery tank by following the drain valve instructions.

CLEANING UPHOLSTERY

Cleaning upholstery with success requires a good knowledge of the type of fabric you will work on. Look for the cleaning instructions label sewn on the underside of the furniture for the recommended method of cleaning. If it calls for dry-cleaning, do not attempt to clean by wet extraction otherwise damage to the fabric could occur. Extraction works perfectly on most synthetic fabrics including synthetic velvets. Always consult Cleanfreak for information on how to find the proper type of chemical and method for the type of fabric you are cleaning.

Before proceeding, test the fabric for colorfastness. Apply a small amount of cleaning solution on the fabric in an inconspicuous spot. Wait 2 to 3 minutes and rub the area with a white terry cloth towel. If no color comes off the towel, the fabric should be safe to clean. If a little color comes off, there is some risk of colors running when you clean. It may be possible to stabilize colors by cleaning with an acidic rinse.

1. Prepare the machine in the same manner as for carpet cleaning (see Preparing the Machine) except attach the upholstery tool to the vacuum and solution hose instead of the wand. Pour hot water into the solution tank, not exceeding 135°F. Add recommended amount of cleaning concentrate into the solution tank. Turn on the vacuum and pump switches.
2. Clean with the upholstery tool using as little solution as possible. Make overlapping passes to prevent streaking. Go over the area you just cleaned without depressing the lever (vacuum only) and gauge the amount of moisture extracted through the view window for dryness. On heavily soiled areas like arm rests, pre-treat with a recommended pre-spray solution.

DAILY MAINTENANCE

1. Always keep the machine clean inside and out.
2. Pour 1 gallon of clean, hot water into the solution tank. Turn on and flush the entire system through the wand nozzles for about a minute to prevent mineral or chemical build-up. A periodic use of a 1:3 white vinegar and water solution helps to break down build up, as well.
3. Remove dirt and lint build-up inside the filter screen in the recovery tank. Lint should be cleaned off so that air flow is not impeded.
4. Check the solution tank strainer in the solution tank. If lint has accumulated in the screen, remove and rinse it in clear running water. Replace as necessary.
5. Empty recovery tank and open recovery lid and run your vacuums for 3-5 minutes after every job to remove any excess moisture from the vacuum motors. This is especially important if you have over filled the machine or did not use enough defoamer.

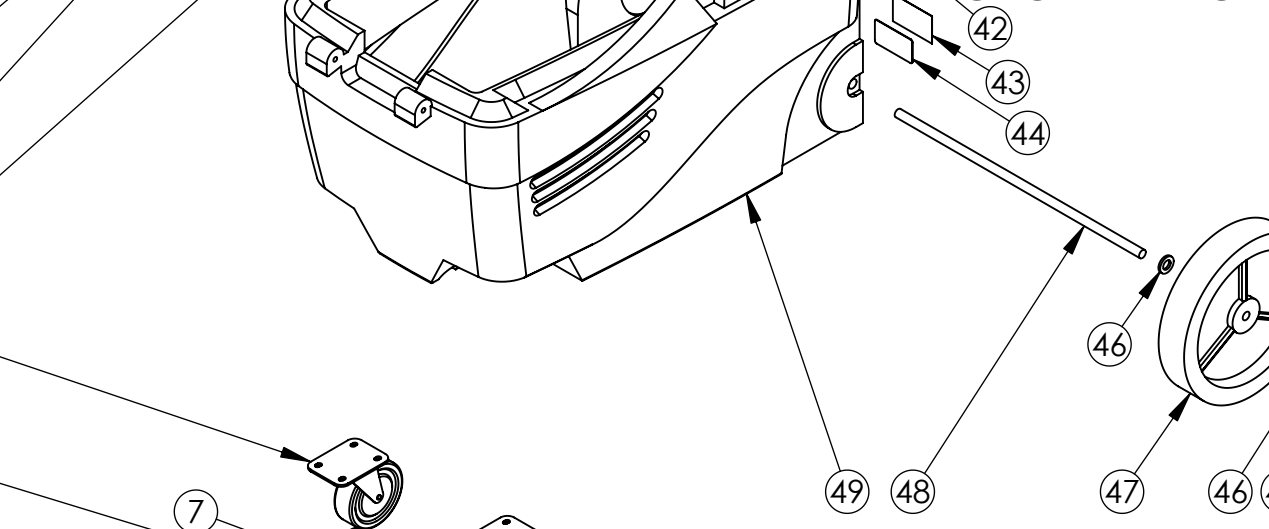
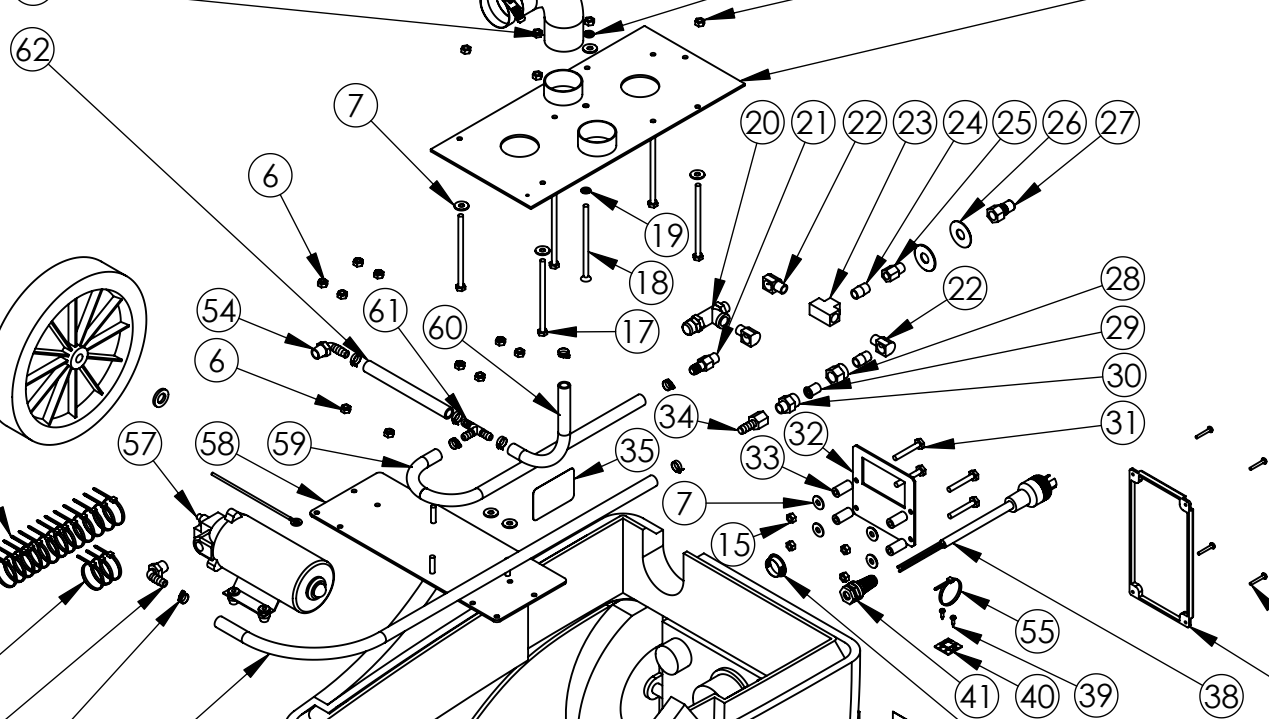
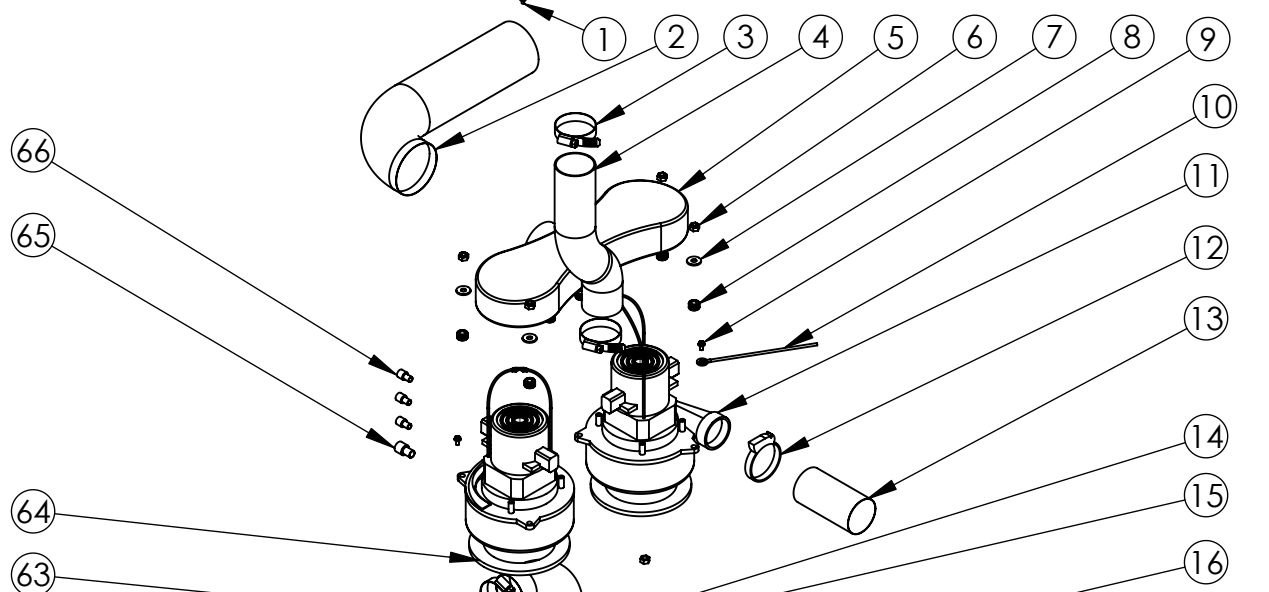
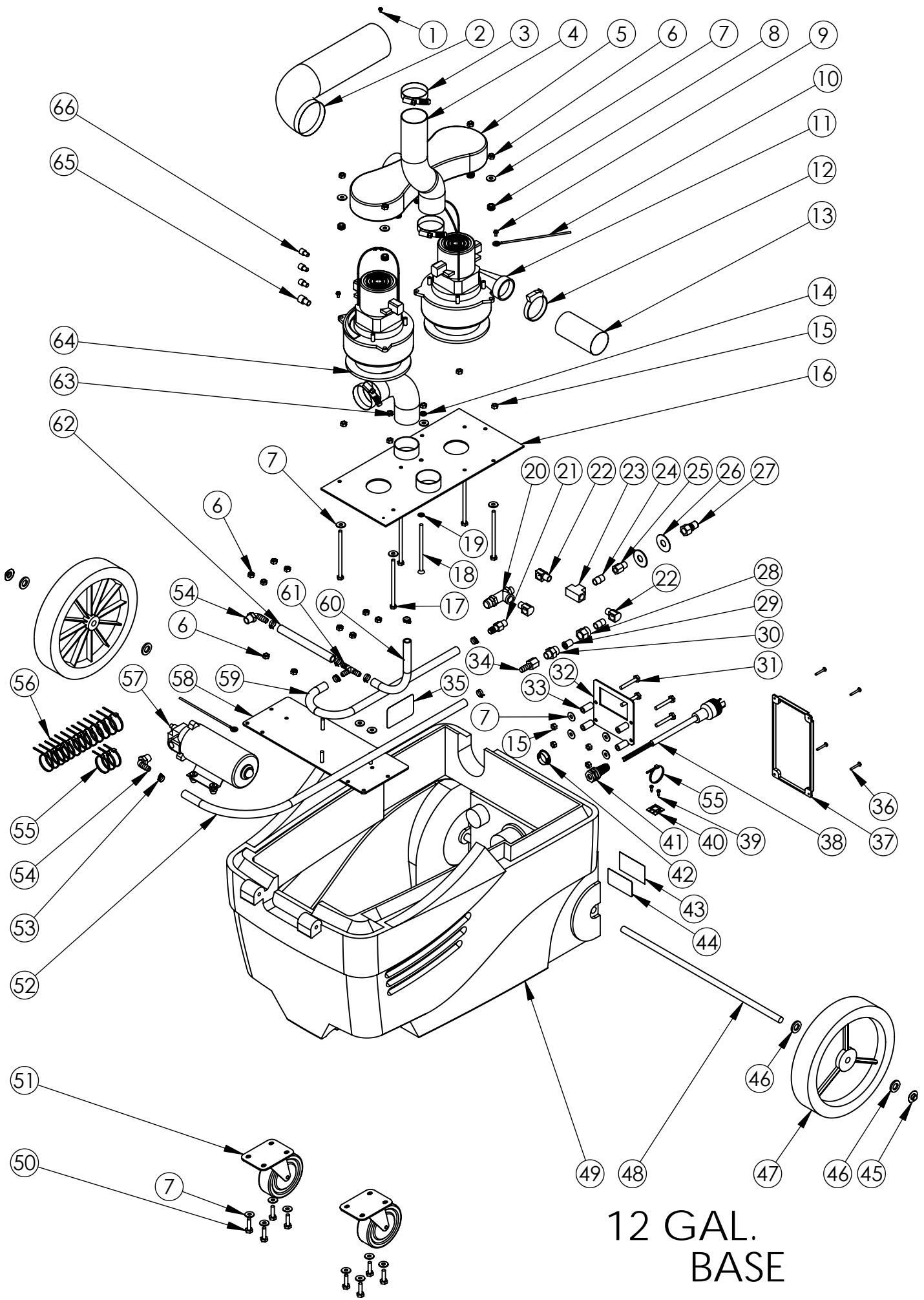
PERIODIC MAINTENANCE

All Trusted Clean machines are engineered and built to require a minimum amount of maintenance. But like any machine it does require some care to keep it in optimum working condition. Careful attention to these maintenance instructions will give you maximum operating performance and will increase the life expectancy of your machine.

- ◆ **Solution Lines & Fitting:** Flush the machine at least once a month with a solution of 3 parts water with 1 part white vinegar in order to neutralize the alkaline residue left by the cleaning solution.
- ◆ **Quick Connect Couple:** Spray with WD-40 or equivalent lubricant to prevent coupler from sticking.
- ◆ **Drain Valve:** Apply light oil on gate seals. If machine has to be stored for a prolonged period, leave the gate valve open.
- ◆ **Solution Pump:** The same above procedure used on the solution line and fittings applies to the pump.

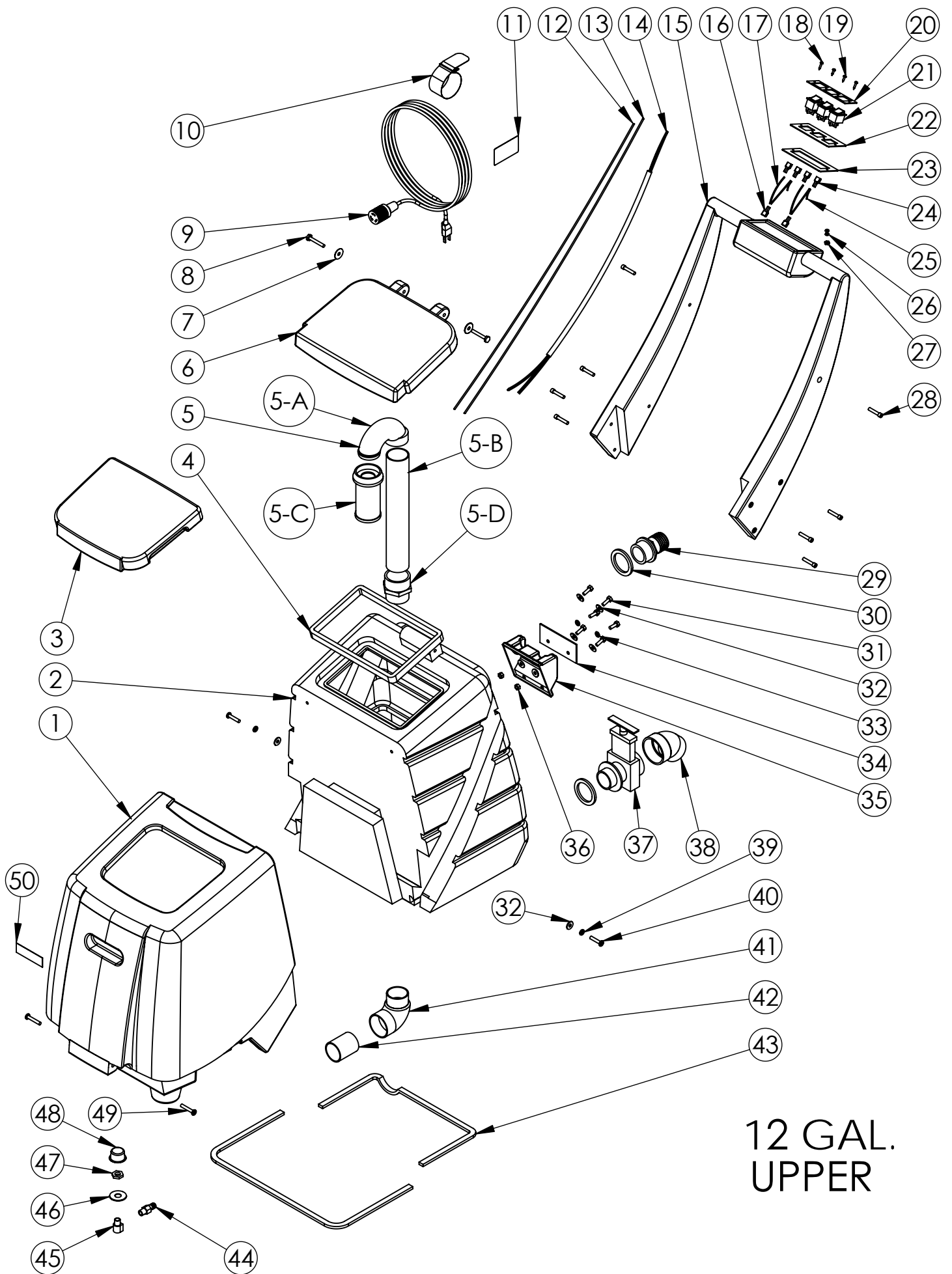
TROUBLE SHOOTING

<i>PROBLEM</i>	<i>PROBLEM CAUSE</i>
<i>ELECTRICAL SYSTEM</i>	
No electrical power	<ol style="list-style-type: none"> 1. Defective power cord 2. House or building circuit breaker tripped.
Switch is turned on. Power is intermittent to all motor(s)	<ol style="list-style-type: none"> 1. Faulty electrical cable. 2. Defective switches. 3. Loose terminal or discolored terminal connections.
<i>VACUUM SYSTEM</i>	
No vacuum	<ol style="list-style-type: none"> 1. Drain valve is open or not sealed properly. 2. Vacuum lid is not sealed against tank. 3. Loose vacuum hose, vacuum connection. 4. Disconnected or loose wire inside machine.
Low vacuum	<ol style="list-style-type: none"> 1. Accumulated dirt on lid screen. 2. Worn out vacuum lid gasket. 3. Lint & dirt build-up on wand head. 4. Defective vacuum hose. 5. Loose connection in the vacuum motor(s).
<i>SOLUTION SYSTEM</i>	
Pump motor on, no spray through spray tips	<ol style="list-style-type: none"> 1. Clogged spray tips. 2. Clogged solution intake filter screen. 3. Plugged female quick disconnect coupler or couplers not fully engaged. 4. Punctured pump diaphragm. 5. Defective or clogged check valve. 6. Crack in pump housing. 7. Lost prime.
Uneven or weak spray from tips	<ol style="list-style-type: none"> 1. Clogged or dirty spray tips. 2. Accumulated dirt on solution intake filter screen. 3. Accumulation of debris inside pump and plumbing. 4. Worn pump bearing (excessive noise). 5. Punctured pump diaphragm. 6. Defective motor. 7. Worn nozzles.
Vacuum motor(s) working, pump motor fails to turn on	<ol style="list-style-type: none"> 1. Loose wiring connection. 2. Defective pressure switch in the pump. 3. Defective pump motor.



12 GALLON BASE

ITEM #	PART #	DESCRIPTION	QTY
1	C00297	SCREW, #8 X .25 IN, PAN HEAD	1
2	J11863	HOSE, 3 IN	1
3	J00639	SCREW CLAMP, 1.63-2.43 IN	3
4	J00618	VACUUM HOSE, 2 IN GRAY, WIRE, 22 IN LG	1
5	F11178-BLK	INTERCOOLER, BLACK	1
6	C00273	LOCKNUT, 1-4 X 20, NYLON, SS	16
7	C00233	WASHER, FLAT, .25 IN	26
8	E00449	GROMMET	6
9	C00284	SCREW, 10-32 X .375 GROUND	2
10	B11150	GROUND WIRE	2
11	G00537	VACUUM MOTOR, 82 IN, 115V	2
12	J00657	HOSE CLAMP, 2IN SLDPRT	1
13	J00618	VACUUM HOSE, 2 IN, GRAY, WIRE, 4 IN LG	1
14	C00254	LOCK WASHER, 1-4 IN SPLIT	1
15	C00261	NUT, 25-20 HEX	10
16	D11134	VAC PLATE	1
17	C11189	SCREW, 1-4 X 20 X 4.5 IN HEX	5
18	C11516	SCREW, 1-4 X 20 X 4.5 IN, FLAT HEAD, PHILIPS	1
19	C02312	LOCKWASHER, .25 IN, INTERNAL STAR	1
20	G11314	PRESSURE REGULATOR, BRASS	1
21	A00060	3-8 BARB X 1-4MP, BRASS	1
22	A00052	.25 X .375 M-F 90° BRASS	3
23	A00616	TEE, .25 FP, BRASS	1
24	A00111	NIPPLE, .25 IN	2
25	A00121	FITTING, .25 MP X .25 FP, BRASS	1
26	C11244	WASHER, .5 ID X 1.5 OD	2
27	A00104	QD, 1-4 M X 1-4 FP, BRASS	1
28	A00097A	CAP, INLINE FILTER	1
29	A00094E	CHECKVALVE, NO STRAINER	1
30	A00094C	CHECK VALVE BODY	1
31	C02322	HEX BOLT, 1-4 X 20 X 1.75 IN	4
32	D010379	HEATER MOUNTING PLATE	1
33	C11440	SPACER, HEATER MOUNTING PLATE	4
34	A00061	3-8 BARB X 1-4 FP, BRASS	1
35	H02564-2	LABEL, CAUTION, MOTOR HOUSING	1
36	C11165	SCREW, #8 X 1 IN PAN, BLACK	4
37	F11790-STCB	HEATER, TUNNEL COVER, BLUE GRANITE	1
38	B11779	STUB, 12-3 SJTW YELLOW	1
39	C00293	#8 X .5 IN PAN, BLACK SMS, PHILIPS	2
40	B00192	MOUNT, NYLON TIE	1
41	B11606	STRAIN RELIEF, PIGTAIL	1
42	K10510	PLUG, 1.25 IN, BLACK	1
43	H03545	COVER, SERIAL # LABEL	1
44	H00565-5	LABEL, SERIAL NUMBER	1
45	C02305	CAP NUT, 5 IN PUSH ON	2
46	C00240	WASHER, SHOULDER, NYLON	4
47	G11767	WHEEL, 10 IN	2
48	D11170	AXLE	1
49	F11789-STCB	BASE	1
50	C00314-1	HEX BOLT, 1-4 X 20 X 1 IN	8
51	G03518	CASTER, 4 IN	2
52	J00613B	SOLUTION HOSE, .375 IN, BLACK	1
53	J11508	SCREW CLAMP #6, 7-16 TO 7-8 IN	8
54	A00054	ELBOW, .90, .375 MP X .375B, NYLON	2
55	B00191	NYLON TIE, 11 IN, BLACK	4
56	B00190	NYLON TIE, 4 IN	13
57	G00513-100	PUMP, 100PSI, 115 V	1
58	D11194	PUMP PLATE	1
59	J00613B	SOLUTION HOSE, .375 X 26 IN, BLACK	1
60	J11154	SOLUTION HOSE, .375 X 10 IN, WIRE REINFORCED	1
61	A11243	TEE, .375B X .375B X .375B, NYLON	1
62	J11154	SOLUTION HOSE, .375 X 10 IN, WIRE REINFORCED	1
63	J00618	VACUUM HOSE, 2 IN. GRAY, WIRE, 7 IN LG	2
64	E11169	GASKET, VAC MOTOR	2
65	B00179-2	CLOSED END CNTR, 16-3	1
66	B00179-1	CLOSED END CNTR, 16-3	3



12 GAL.
UPPER

12 GALLON UPPER

ITEM #	PART #	DESCRIPTION	QTY
1	F11787-BWG-NL	SOLUTION TANK	1
2	F11788-BWG	RECOVERY TANK	1
3	F11791-BWG	LID, SOLUTION TANK	1
4	E11124	GASKET, RECOVERY TANK	1
5	12904A	STAND PIPE ASSEMBLY	1
	A K11965	ELBOW, 180° FLOAT BALL	1
	B K00672	PVC PIPE, 1.5 X 12 IN, SCH 40 WHITE	1
	C 10989-2A	FLOAT BALL SCREEN	1
	D K00741	ADAPTER	1
6	F11785-BWG	LID RECOVERY TANK	1
7	C12039	WASHER, 1-4 X 1, SS	2
8	C02322	1-4 X 20 BOLT	2
9	B11769	EXTENSION CORD, 12-3 SJTW	1
10	C11177	VELCRO STRAP	1
11	H02548-2	LABEL, IMPORTANT, CORD	1
12	B00185-30	WIRES, 73 IN	1
13	B00185-40	WIRES, 73 IN	1
14	B010314	WIRE HARNESS	1
15	F11786-BWG-NL	HANDLE	1
16	B00177	TERMINAL LUG, FEMALE, QD, .25 X .032, 16-14 AWG, CULLY INSULATED	2
17	B00185-40	WIRE, 14 GA, BLACK, UL1015, 5 IN	1
18	C00295-1	#10 X .75 IN PAN, BLACK, SMS, PHILIP	2
19	C00293	#8 X .5 IN PAN, BLACK, SMS, PHILIPS	2
20	D11168	COVER, SWITCHPLATE, GALAXY	1
21	B02211-1	SWITCH, ROCKER, GREEN LIGHT	3
22	D010284	SWITCHPLATE	1
23	E010453	GASKET, SWITCH BRACKET	1
24	B00177-1	TERMINAL LUG, FEMALE, QD, .25 X .032	4
25	B00185-30	WIRE, 14 GA, WHITE, UL1015, 5 IN	1
26	C02315	LOCKWASHER, #10 INT, STR, SS	2
27	C00264	NUT, 10-32	1
28	C11141	SCREW, ALLEN HEAD, 10-24 X 1.25 IN	8
29	K00665-1	HOSE ADAPTOR, 1.5 IN, BLACK	1
30	E11128	GASKET, DRAIN VALVE	2
31	C00313	HEX BOLT, .25 X 20 X .75	6
32	C00233	WASHER, FLAT, .25 IN	8
33	C02312	LOCKWASHER, .25 IN, INTERNAL STAR	2
34	D010283	PLATE, HEATER MOUNTING	1
35	F11804-BGW	HEATER MOUNT	1
36	C00261	NUT, .25-20, HEX	2
37	K00711	DRAIN VALVE, BLACK	1
38	K00710	ELBOW, DRAIN VALVE, BLACK	1
39	C00254	LOCKWASHER, 1-4 IN SPLIT	2
40	C02294	SCREW, 1-4 20 X 1.25	2
41	K11185	ELBOW, 90, 1.5 IN ST-MS, PVC	1
42	K00672-1	PVC PIPE, 1.5 X 2.25 IN, SCH 40 WHITE	1
43	E11129	GASKET, BASE	1
44	A00060	3-8 BARB X 1-4MP, BRASS	1
45	A00052	.25 X .375 M-F 90° BRASS	1
46	C11244	WASHER, .56 X 1.5 X .05	1
47	A00124	HEX NUT, .25 NPT, BRASS	1
48	D00373	INLET FILTER, .25 NPT	1
49	C11143	SCREW, 1-4 20 X 1.5 IN, SS, PAN HEAD, PHILIPS	2
50	S11179	NON-SKID TAPE, 1 IN ROLL	1

NOTES

*Trusted
Clean*

Revised 01-31-13