



**MULTIPURPOSE AIR MOVER**  
**OWNER'S MANUAL**  
CPL-1600-AM-CF (P-400)



CleanFreak.com  
3900 N. Providence Avenue  
Appleton, WI 54913, USA  
Toll Free: (888) 722-5508  
Tel: (920) 882-8453, Fax: (920) 380-0878

PLEASE READ AND SAVE THESE INSTRUCTIONS

## Index

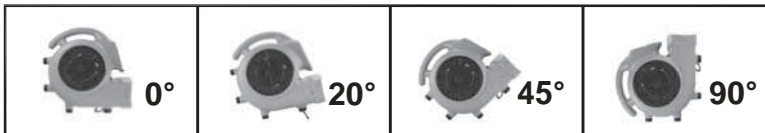
Introduction .....	2
Operation / Instructions.....	3
Safety Instructions.....	4
Maintenance Instructions / Troubleshooting.....	5
Specifications.....	6
Parts List .....	7
Accessories .....	8

## Introduction

CleanFreak's CPL-1600-AM-CF (P-400) Air Mover is a professional level and multipurpose Air Mover with the most efficient engineering design. CPL-1600-AM-CF (P-400) Air Mover is ETL/CETL certified.

### **Features:**

- Low amp draw with high airflow capacity
- Super quiet and super lightweight.
- Easy clean filter system (optional).
- Easy carrying and stackable.
- Easily disassembled for thorough cleaning and service.
- 20 ft. cord with easy cord wrap design.
- Safety screens on open vents.
- 3 speed switch.
- 4 positions (0°, 20°, 45°, 90°).



- Durable and rugged housing structure.

## Operation / Instructions

CleanFreak's CPL-1600-AM-CF (P-400) Multipurpose Air Mover is intended to move air and to dry floors, walls, furniture, etc. Durable and easy to operate with an effective balance of static pressure and airflow suitable for a variety of applications.

1. Air Movers are shipped ready to be put into service. Prior to plugging in the unit into the power source, inspect completely for any shipping damage.
2. Plug the electrical cord into the power outlet.
3. Carefully place the Air Mover unit on a stable, flat dry surface.
4. The unit has four position capabilities to aim airflow across flat surfaces or angled upward.
5. Turn the switch to desired speed and make sure it is operating correctly.
6. All Air Mover in operation must be supervised at all times.



### **AIR MOVER STORAGE:**

Air Movers can be stacked (up to 4) on their sides for storage.

### **NOTICE:**

1. Stacking feature is not secure for transportation.
2. Remove the filters before stacking.

## Safety Instructions

1. To prevent electric shock, do not operate unit in standing water. Never plug in or unplug the unit with wet hands or while standing in water.
2. To avoid risk of injury, do not direct air flow at face or body.
3. To reduce the risk of fire or electric shock, do not use the Air Mover with any solid-state speed control device.
4. Use only with GFCI protected receptacles. Please contact a qualified electrician for verification and/or installation of a GFCI receptacle if necessary.
5. Do not operate any unit with a damaged cord or plug. Discard unit or return to an authorized service facility for examination and/or repair.
6. Unplug the unit from the power source before servicing or cleaning.
7. Do not run the power cord under carpeting. Do not cover the power cord with throw rugs, runners, or similar coverings. Place the power cord away from traffic area to prevent tripping.
8. Do not allow children to play with or around Air Mover.
9. Do not move or carry an Air Mover when unit is operating.
10. Air Mover in operation must be supervised at all times.

## Maintenance Instructions

1. To keep the Air Mover clean, use a damp cloth to wipe the surface of the housing.
2. Never clean the Air Mover with water.
3. When not in use, unplug and store the Air Mover in a dry indoor place out of reach of children.
4. Always disconnect the Air Mover from its power source before performing any maintenance or cleaning.
5. Clean the filters (optional item) as often as necessary to avoid loss of airflow.

## Troubleshooting

For any problems not listed below, call your local distributor or contact our Service Department.

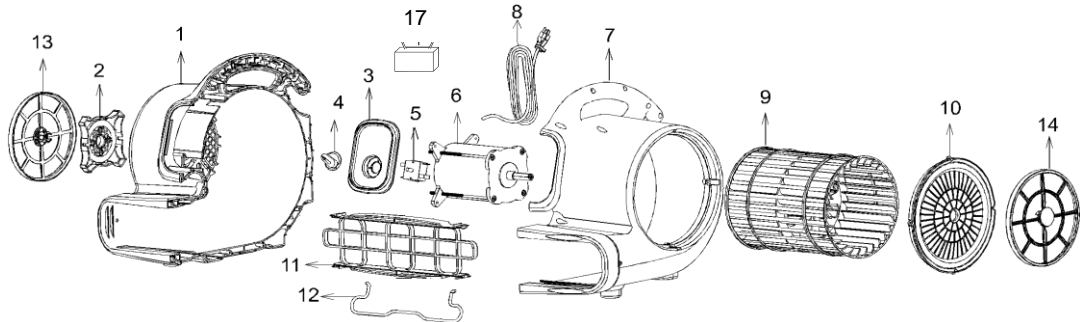
PROBLEM	POSSIBLE CAUSE	SOLUTION
Air Mover not running	No power input	Plug in the air mover; check circuit breaker
	Switch not turned on	Turn on switch
	Unit fan jammed	Remove material jamming fan wheel
	Intake or exhaust blocked	Turn unit off and allow to cool, then remove blockage
Air Mover vibrates excessively	Accumulation of dirt on fan blade	Clean air mover blade

## Specifications

<b>Model</b>	<b>CPL-1600-AM-CF (P-400)</b>
Volt / Cycle	115V / 60Hz
Power	1/4 hp
Max. Amp	3.0 A
Weight (Unit / Box)	15 lbs. / 19 lbs.
Speeds (RPM – L / M / H)	3 Speeds / RPM (L-1,050/ M-1,350 / H-1,600)
Unit / Box Size (L x W x H)	13.9" x 14.8" x 14.6" / 15.5" x 15" x 15"
Cord Length	20 ft.
Overheating Protection	Thermally Protected
Rated Airflow (On High)	1600 CFM
Positions	4 (0°, 20° Kickstand, 45°, 90°)
Housing	PP (Polypropylene)
Safety Marks	ETL / C-ETL
Filter System	Optional

## Parts List

Item No	Parts Name	Item No	Parts Name
400 1	Left Housing	400 2	Grid Cover (Motor Side)
400 3	Switch Plate	400 4	Switch Knob
400 5	Switch	400 6	Motor
400 7	Right Housing	400 8	Power Cord
400 9	Fan	400 10	Grid Cover (Fan Side)
400 11	Air Outlet Grid Cover	400 12	Kick Stand
400 13	Filter I (Motor Side)	400 14	Filter II (Fan Side)
400 15	Rubber Feet (Not Show)	400 16	Screws and Nuts (Not Shown)
400-17	Capacitor		





## Accessories

### **Filters (Optional)**

A set of Filters is available for the CPL-1600-AM-CF Air Movers which will help prevent small debris and dust from entering the unit. To clean the filters: remove filters from the unit and wash with warm soapy water, rinse with clean water and let dry thoroughly before reinstalling.

Installation:  
Filters snaps into the air inlets.

Note:  
The filter I is Motor Side,  
The filter II is for the Fan Side.



Filter Removal:  
Pull the filters out of the unit.

Note:  
After cleaning, make sure  
filters are dry before  
reinstalling.



