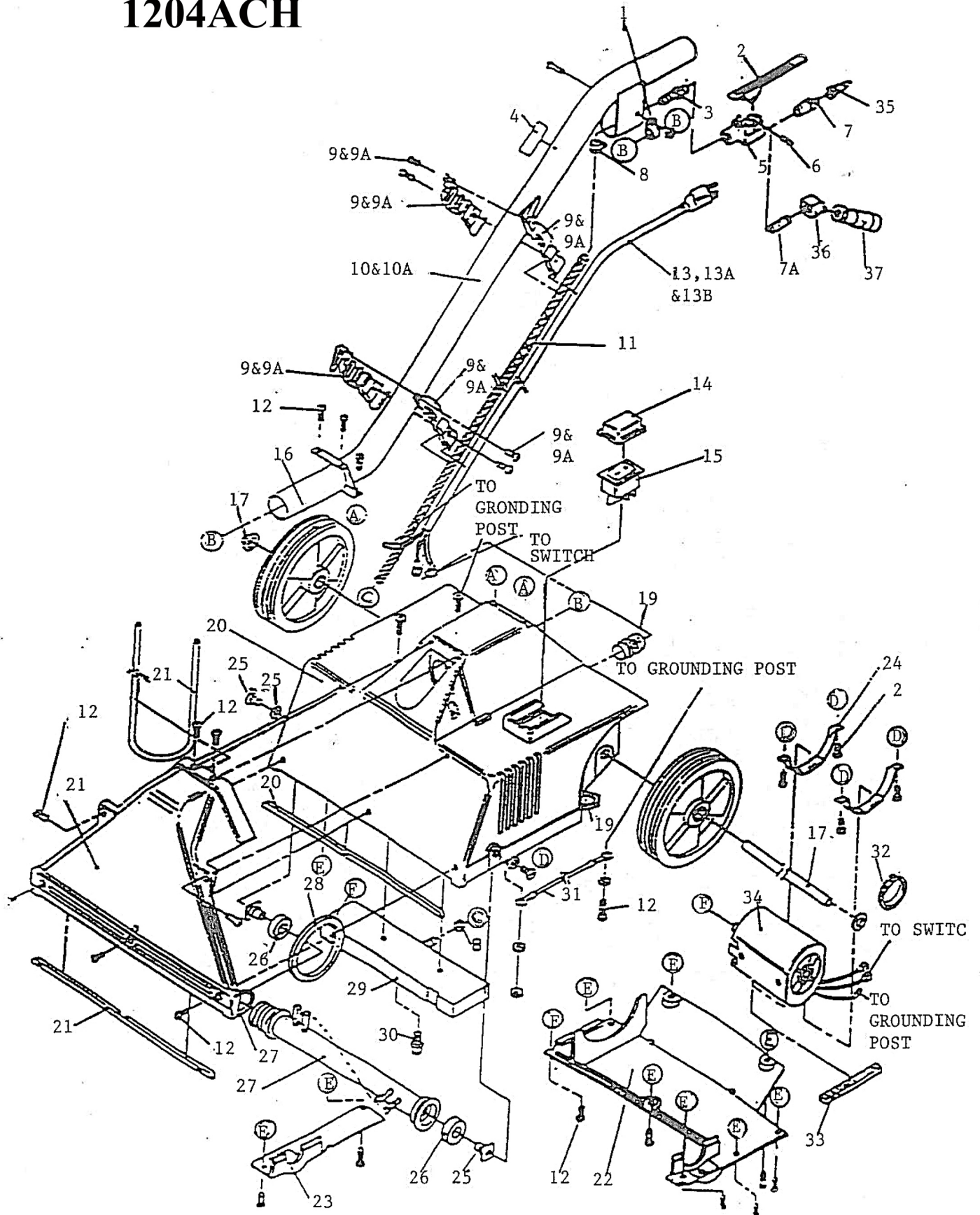


POWERMATE 1204ACH



POWERMATE

1204AC PARTS LIST

ITEM	DESCRIPTION
1	1202AC CABLE CLAMP
2	LEVER, VALVE, G00525
3	1/4 BARB X 1/4MP NYLON
4	WARNING LABEL 'TO AVOID ELECTRIC SHOCK..'
5	PH VALVE
6	1/8 X 3/4 TUBULAR RIVOT
7	NIPPLE 1/4MP X 1/8MP
8	SCREW CLAMP 1/4 HOSE
9	CORD HOOK SET 1 1/4'
10	HANDLE, ONE PIECE, 1202
11	1/4 BRAIDED HOSE
12	8-32 X 3/8 RH MACHINE BLACK PHILLIPS SS
13	16/3,POWERCORD, ORGANGE (PW CORD-25FT)
14	COVER, SWITCH, ROCKER
15	SWITCH, ROCKET, LIT GREEN, 115/230 V 20A
16	WHEEL, 4.25 X 3/8
17	AXLE ASSEMBLY
18	10-32 X 1 1/8 TRUSS HEAD BLACK ZINC
19	LIQUID TIGHT STRAIN 3/8"NPT WITH NUT
20	MOTOR HOUSING ASSEM.
21	SUCTION HEAD LENS
22	BOTTOM COVER
23	BELT ACCESS COVER
24	MOTOR STRAP ASSEMBLY
25	BEARING SHAFT ASSEM.
26	1202AC BRUSH BEARING
27	BRUSH ASSMBLY
28	MOTOR BELT
29	WEIGHT BLOCK

PART #	P/ASS'Y	1204AC
1204AC		
B02200		1
D00352-3		1
A00065P		1
H00564-2		1
G00525		1
C00303		1
A00111		1
J00651		1
02494-1A		1
D02382		1
J00596		4
C00310-38		25
B00217-1		1
B00214-2		1
B02211-1		1
G02531-1		2
82331-2A		1
C00312-1		2
B02212		1
82490A		1
82491A		1
F02492		1
F02493		1
82363A		2
82424A		1
G00528-3		2
80508-1A		1
E02445		1
D00356-4		1

POWERMATE

1204AC PARTS LIST

ITEM	DESCRIPTION
30	SPRAY TIP 10010X 1/8 MP, BRASS
31	UE WIRE ASSEMBLY
32	4 NYLON TIE
33	MOTOR SEAL GASKET
34	PW 1202AC MOTOR
35	QD 1/8M X 1/8FP BRASS (QD 1/4F X 1/4FP BRASS FEMA
36	45EL 1/4MP X 1/4FP
EXTRA ITEMS	
2.3.5.6.	VALVE ASSEMBLY, SHORT LEVER, 320AC, 321AC
13 ASS.	PW ADAPTOR CORD

PART #	P/ASS'Y	1204AC
1204AC		
A00091-1		1
00185-6A		1
B00190		1
E03428		1
G00539		1
A00102		1
A00053		1
EXTRA ITEMS		
00525-1A		
B00216		