

# Instructions for S-300H Tempo<sup>™</sup>



Please read before use.



Register your product  
at <http://www.mytee.com/support/register>



[General Information p. 2](#)  
[Set Up & Operation p. 4](#)  
[Parts & Pricing p. 7](#)  
[Wiring Diagram p. 10](#)  
[Notes p. 11](#)

Model # \_\_\_\_\_

Serial # \_\_\_\_\_

Form # ADM-Tempo

10-17

# GENERAL INFORMATION

## Dear Customer:

Congratulations on the purchase of your new Tempo™ spotter. As you are already aware, the scene of the equipment world is becoming more high tech, and we at Mytee Products Inc. strive to keep you on the cutting edge with superior quality and technology.

Keep in mind that the S-300H Tempo™ is a machine, so neglect or abuse will cause unnecessary damage and void the warranty. However with simple maintenance the S-300H will give quality performance for many years to come.

If warranty questions arise, please consult your user manual or get in touch with your distributor. If you have questions about maintenance, replacing parts or ordering parts, please call an authorized Mytee Products Inc. Service Center. To see an updated list, visit our website at [www.mytee.com](http://www.mytee.com)

Before you begin cleaning, please read your manual thoroughly.

Sincerely,  
Mytee Customer Care Dept.

## Grounding Instructions

This machine must be grounded. If it should malfunction or breakdown, grounding provides a path of least resistance for electrical shock. This machine is equipped with a cord having an equipment-grounding conductor and grounding plug. The plug must be plugged into an appropriate outlet that is properly installed in accordance with all local code and ordinances. Do not remove ground pin; if missing, replace plug before use.



### DANGER

Improper connection of the equipment-grounding conductor can result in a risk of electric shock. Check with a qualified electrician or service person if you are in doubt as to whether the outlet is properly grounded. Do not modify the plug provided with the machine. If it will not fit the outlet, have a proper outlet installed by a qualified electrician.

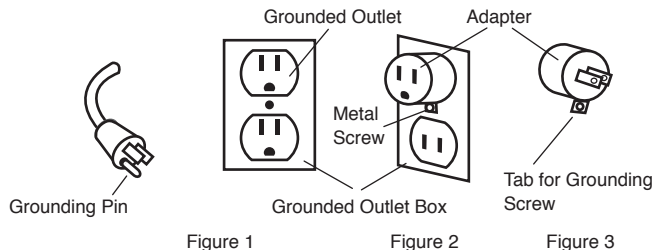
This appliance is for use on a nominal 120-volt circuit, and has a grounding plug that looks like the plug illustrated in Figure 1 below. A temporary adapter illustrated in Figures 2 and 3 may be used—to connect this plug to a 2-pole receptacle as shown in Figure 2 if a properly grounded outlet is not available. The temporary adapter should be used only until a properly grounded outlet (Figure 1) can be installed by a qualified electrician. The green colored rigid ear, tab or the like extending from the adapter must be connected to a permanent ground such as a properly grounded outlet box cover. Whenever the adapter is used, it must be held in place by a metal screw. Grounding adapters are not approved for use in Canada.

Replace the plug if the grounding pin is damaged or broken.

The Green (or GreenYellow) wire in the cord is the grounding wire. When replacing a plug, this wire must be attached to the grounding pin only.

DO NOT use extension cords.

### Please Note for America use only



## Parts and Service

Repairs, when required, should be performed by Mytee service personnel or Mytee authorized Service Center using Mytee original replacement parts and accessories. Call your local service center for repair parts or service. Please specify the Model and Serial Number when discussing your machine.

## Name Plate

The Model and Serial Number of your machine are shown on the Nameplate on the back panel of the machine. This information is needed when ordering repair parts for the machine. Use the space provided on the front cover to note the Model and Serial Number of your machine for future reference.

## Unpacking the Machine

When the machine is delivered, carefully inspect the shipping carton and the machine for damage. If damage is evident, save the shipping carton so that it can be inspected by the carrier that delivered it. Contact the carrier immediately to file a freight damage claim.

## Caution and Warnings

### Symbols

Mytee uses the symbols below to signal potentially dangerous conditions. Always read this information carefully and take the necessary steps to protect personnel and property.



### CAUTION

Is used to warn of immediate hazards that will cause severe personal injury or death.



### WARNING

Is used to call attention to a situation that could cause severe personal injury.



### CAUTION

Is used to call attention to a situation that could cause minor personal injury or damage to the machine or other property. When using an electrical appliance, basic precautions should always be followed, including the following: Read all instructions before using this machine. This product is intended for commercial use only.



### WARNING

To reduce the risk of fire, electrical shock, or injury:

1. Read all instructions before using equipment.
2. Use only as described in this manual. Use only manufacturer's recommended attachments.
3. Always unplug power cord from electrical outlet before attempting any adjustments or repairs.
4. Do not unplug by pulling on cord. To unplug, grasp the plug, not the cord.
5. Do not pull or carry by cord. Do not close a door on cord or pull cord around sharp edges or corners.
6. Do not run appliance over cord. Keep cord away from heated surfaces.
7. Do not use with damaged cord or plug. If cord is damaged, repair immediately.
8. Do not use outdoors or on wet surfaces and or standing water.
9. Always unplug or disconnect the appliance from power supply when not in use.
10. Do not allow to be used as a toy. Close attention is necessary when used by or near children.
11. Do not use in areas where flammable or combustible material may be present.
12. Do not leave the unit exposed to harsh weather elements. Temperatures below freezing may damage components and void warranty.
13. Use only the appropriate handles to move and lift unit. Do not use any other parts of this machine for this purpose.
14. Keep hair, loose clothing, fingers, and all parts of the body away from all openings and moving parts.
15. Use extra care when cleaning on stairs.
16. To reduce the risk of fire or electric shock, do not use this machine with a solid-state speed control device.
17. The voltage and frequency indicated on the name plate must correspond to the wall receptacle supply voltage.
18. When cleaning and servicing the machine, local or national regulations may apply to the safe disposal of liquids which may contain: chemicals, grease, oil, acid, alkalines, or other dangerous liquids.
19. Do not leave operating unattended.

## Filling the Solution Tank

1. Fill the solution tank with the approved cleaning solution.
2. Do not fill up the solution tank completely: 1" should be left free at the top.
3. Typically, the solution should be a mixture of water and a cleaning chemical appropriate for the type of job.
4. Always follow the dilution instructions on the chemical container label.
5. The temperature of the cleaning solution must not exceed 70°C/160°F.



### CAUTION

Use only non-flammable liquid in this machine.

# GENERAL INFORMATION

## Pre-Operation

1. Vacuum carpet and upholstery and remove other debris.
2. Prespray if desired.

## Setup

1. Fill solution tank with water or approved cleaning agent. For best results, fill with warm water (140°). Replace vacuum tank.



### WARNING

Flammable materials can cause an explosion or fire. Do not use flammable solutions or materials in tank(s).

FOR SAFETY: When using machine, follow mixing and handling instructions on chemical containers.

ATTENTION: If using powdered cleaning chemicals, mix prior to adding.

2. Attach solution hose to quick disconnect (located front of machine). NOTE: Make sure the quick disconnect snaps together firmly. As you do this, always inspect hoses for cracks or fraying. Do not use if hoses are damaged.
3. Attach vacuum hose to recovery tank.
4. Plug machine's extension cord into the power cord pigtail and a grounded wall outlet. FOR SAFETY: Do not operate machine unless cord is properly grounded.

## Operation

1. Turn pump switch on.
2. Prime the pump by pulling up on the tool's lever to release air in the line. Hold lever until a steady flow of solution comes out of the wand.
3. Once pump is primed and there is pressure in the solution line, turn on heater switch and wait 5-7 minutes for water to heat up. Spray solution until heated solution is coming out.
4. Turn on vacuum and begin cleaning. Do two dry passes for every wet pass. NOTE: When cleaning upholstery, always check manufacturer's cleaning instructions.



### CAUTION

5. Work away from outlet and power cord to prevent cord damage.
6. Use a recommended foam control solution in the recovery tank to prevent vacuum motor damage. Periodically check for excessive foam buildup in solution tank, and recovery tank.
7. To clean heavily soiled areas, repeat cleaning path from different direction.
8. **Be sure to empty the recovery tank BEFORE refilling the solution tank. Failure to drain the recovery tank appropriately will result in damage to the vacuum motor.**
9. After cleaning, relieve water pressure from tool before disconnecting hose. Squeeze trigger for five seconds after turning main power switch off.

## After Use

1. Unplug.
2. Empty solution tank and rinse it with clean water.
3. Inspect hoses and replace if damaged.
4. Empty the recovery tank.
5. Inspect solution filter. Clean or replace if damaged.
6. Store the machine in a clean, dry place.
7. Open recovery tank cover to promote air circulation.
8. Do not expose to rain. Store indoors.
9. Use Mytee System Maintainer to clean pump, heater, and solution lines and remove build-up.

## Maintenance Schedule

Maintenance item	Daily	Once a week
Clean and inspect Tanks	x	
Clean and inspect Hoses	x	
Check power supply cable	x	
Clean machine with all purpose cleaner and cloth	x	
Check spray nozzles		x
Flush solution system with Mytee system maintainer		x
Remove and clean float shut-off screen from tank		x
Inspect vacuum hoses for holes and loose cuffs		x
Inspect machine for water leaks and loose hardware		x

## Troubleshooting

### There is no power.

1. Plug machine in proper outlet.
2. Check circuit breaker; reset circuit breaker, other items should not run on the same circuit as machine. Outlet must be a 20 amp circuit.

### Pump does not work properly.

1. Snap quick disconnects firmly together.
2. Check solution tank; may be empty.
3. Jets clogged, remove jet and flush clean.
4. Filters clogged, remove filters and rinse clean with water.
5. If brass check valve is stuck replace valve.
6. Check pump wire. May need to reconnect wire.
7. Pump switch may need to be replaced.
8. If pump motor brushes are worn, replace pump.

### Vacuum motor does not work properly.

1. Check that hose is tightly connected.
2. Make sure drain cap is tightened.
3. Check and clean foam filter located in recovery tank.
4. If water is coming out of vacuum motor, use a low foaming detergent.
5. Clean upholstery tool.

## Machine Specifications

<b>Solution Tank</b>	1 gallon (approx.)
<b>Recovery Tank</b>	1 gallon (approx.)
<b>Vacuum</b>	Single 2-stage
<b>CFM</b>	97
<b>Water Lift</b>	85"
<b>Pump PSI</b>	55
<b>Pump GPM</b>	0.37
<b>Heater</b>	600W - 210° max.
<b>Power Consumption</b>	12 amps @ 115V 60Hz
<b>Machine Weight</b>	27 lbs.
<b>Machine Dimensions</b>	20" x 9" x 20.75"
<b>Power Cord</b>	25' 12/3 extension cord

## 230V Configuration Information

<b>Model Number</b>	S300H-230
<b>Power Consumption</b>	6 amps @ 230V 60Hz/50Hz

## FAQs

### Q: What comes standard with the S-300H?

A: The S-300H comes with an 8' Hose-n-Hose™ vacuum & internal solution hose and the 8400P Air Lite™ Upholstery Tool attached.

### Q: Where do I plug the machine in?

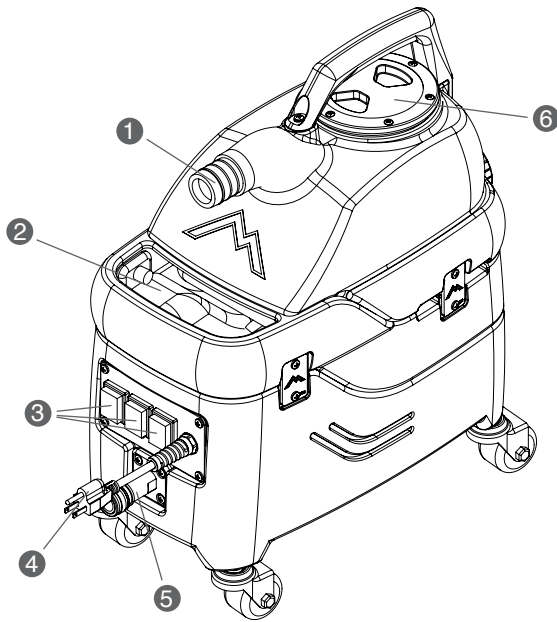
A: The S-300H requires a 20 amp grounded circuit. Please note: GFI outlets may trip before the breaker setting.

### Q: Is there anything I can do to increase the expected life of my machine?

A: Running the vacuum motors with the tank empty and lid off will allow excess moisture in the vacuums to dry off. You should also run Mytee's 3601 System Maintainer through the system weekly to keep the hoses, pump, and heater clean and free of debris.

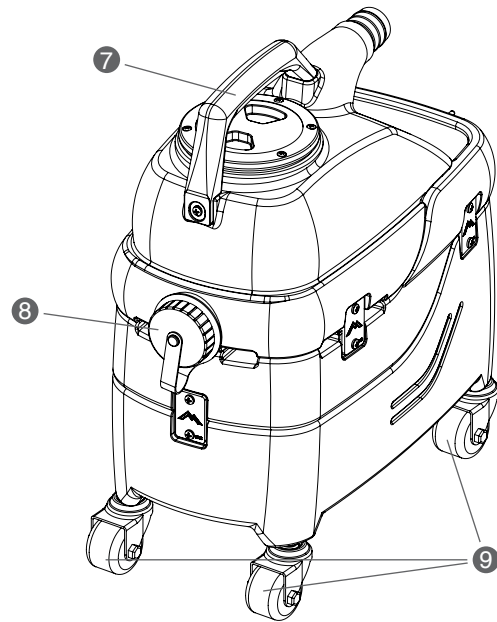
# S-300H TEMPO™ SET UP & OPERATION

## FRONT



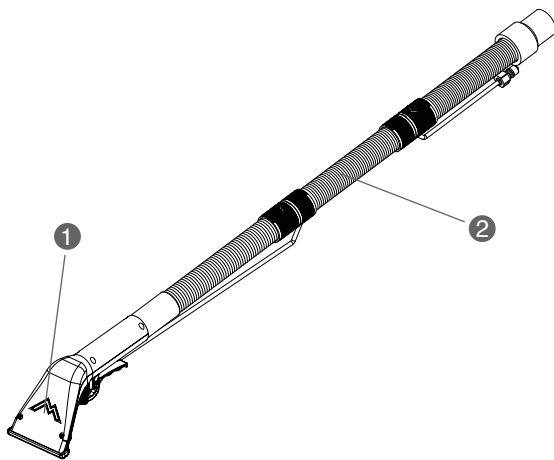
- 1. Vacuum hose connection
- 2. Solution tank
- 3. Power switches
- 4. Power cord pigtail
- 5. Quick disconnect
- 6. Recovery tank lid

## BACK



- 7. Carrying handle
- 8. Recovery tank drain cap
- 9. 2" casters

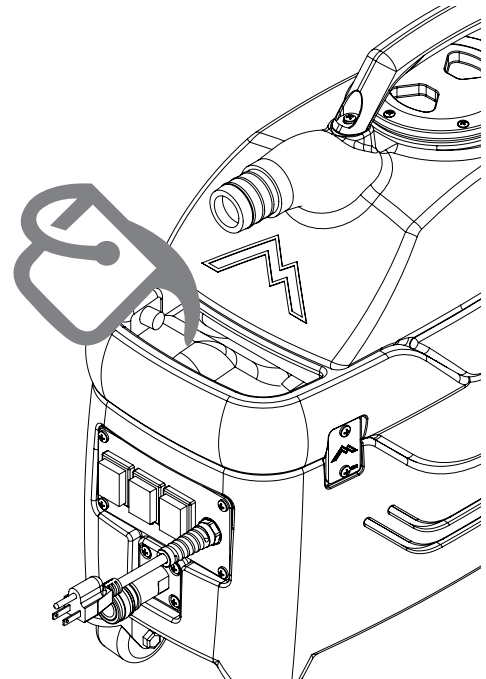
## INCLUDED ITEMS



- 1. 8400P Air Lite™ 4" Upholstery Tool
- 2. 8' x 1.25" vacuum hose with internal solution hose

1

## FILL SOLUTION TANK

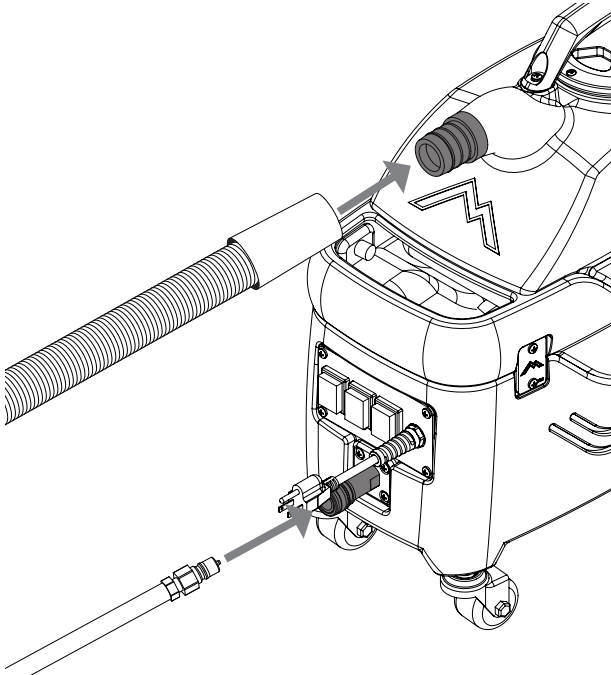


Fill the solution tank with water or solution of your choosing. Be sure to follow the chemical manufacturer's instructions for mixing. For best results, fill with warm water (140° F).

# S-300H TEMPO™ SET UP & OPERATION

2

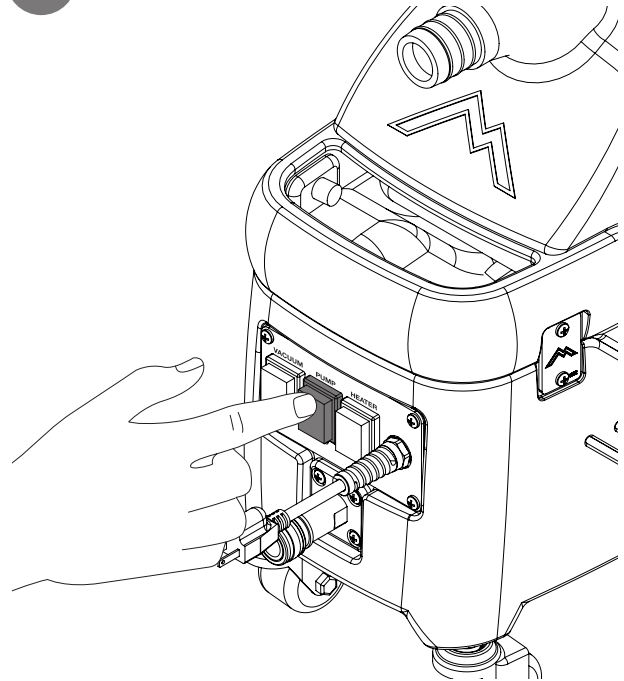
## CONNECT VACUUM & SOLUTION HOSES



Attach the male end of the solution hose to the Tempo's™ quick disconnect, then connect the vacuum hose to the Tempo's™ hose port, both of which are located on the front of the machine.

3

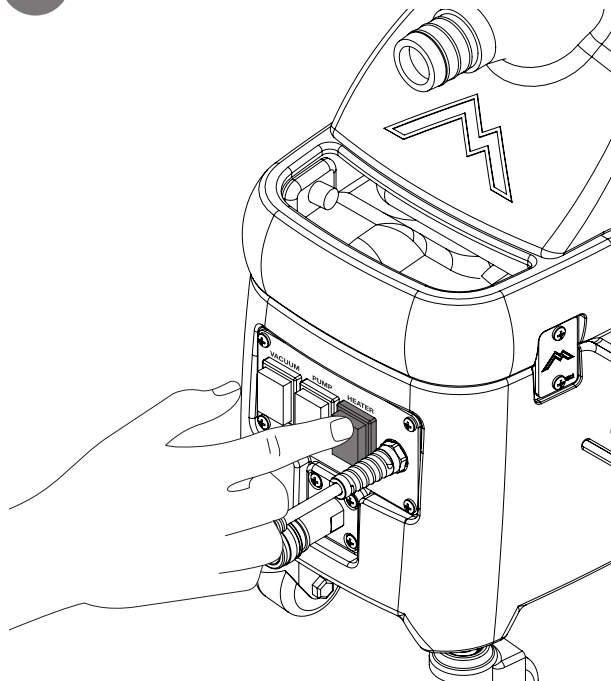
## PUMP SWITCH



Plug the machine into a grounded wall outlet with the included extension cord. Switch on the **PUMP**. Squeeze the trigger on your cleaning tool until there is a steady flow of solution.

4

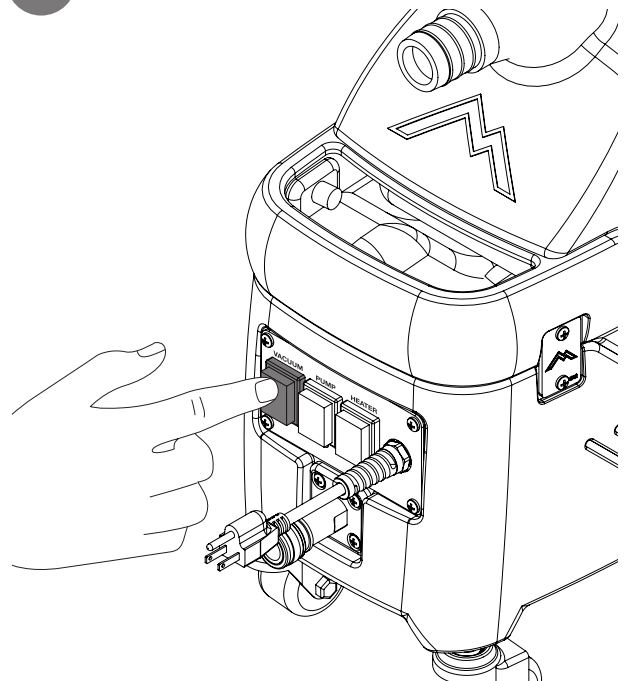
## HEATER SWITCH



Switch on the **HEATER** and wait 5-7 minutes for it to heat up. Squeeze the trigger on your cleaning tool until heated solution begins to come out.

5

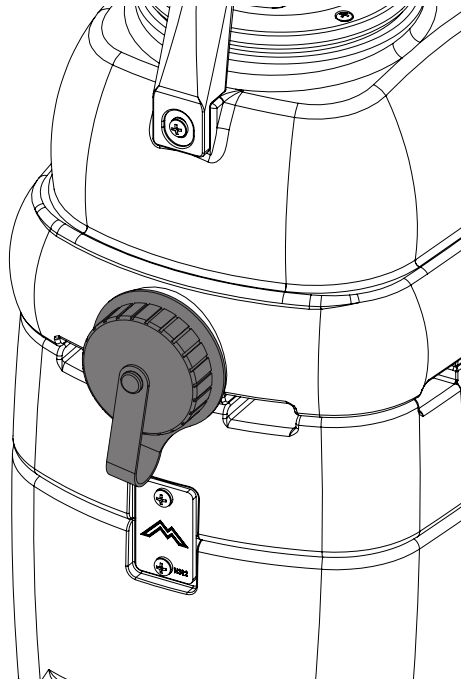
## VACUUM SWITCH



Switch on the **VACUUM** and begin cleaning. It's recommended that you do two dry passes for every wet pass you take with your cleaning tool. This allows the heater time to continuously heat solution.

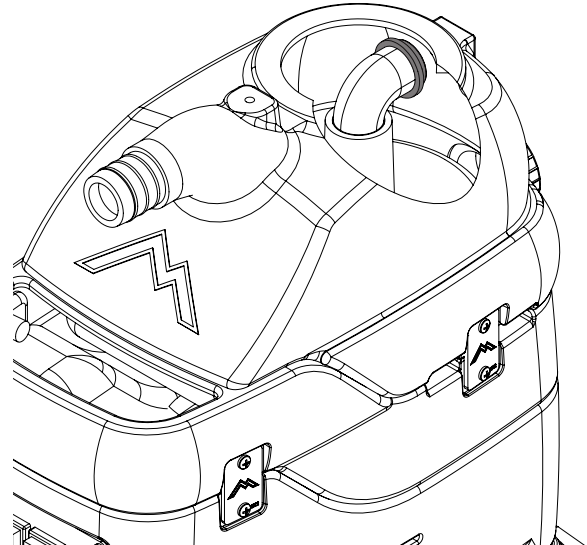
# S-300H TEMPO™ AFTER USE

## EMPTY RECOVERY TANK



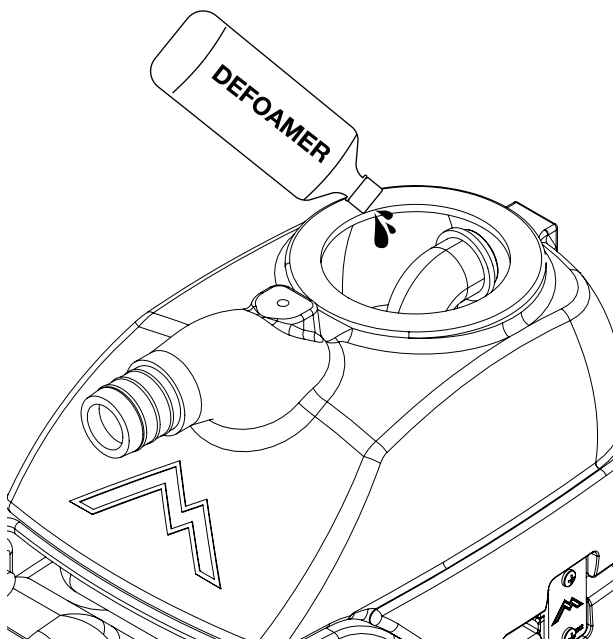
To empty the recovery tank, twist off the recovery tank drain cap on the back of the machine to release recovered fluid.

## FILTER



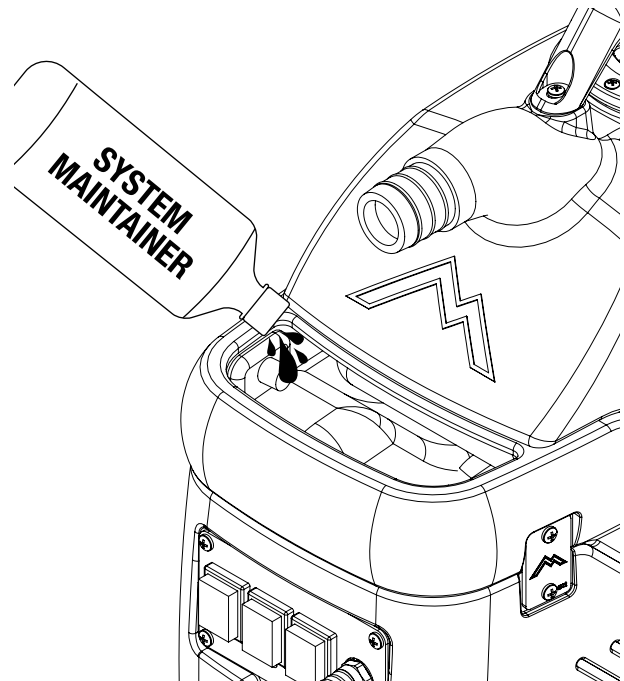
To get the best performance out of the Tempo™, after each job, twist off the recovery tank lid and clean off the filter located on the vacuum stack.

## DEFOAMER



Add defoamer in the recovery tank to reduce foam and prolong the life of the Tempo's™ vacuum motor .

## SYSTEM MAINTAINER



Weekly flushing of the solution system with Mytee's 3601 System Maintainer helps keep lines clean and prevents chemical build-up, improving pump life, performance and pressure.

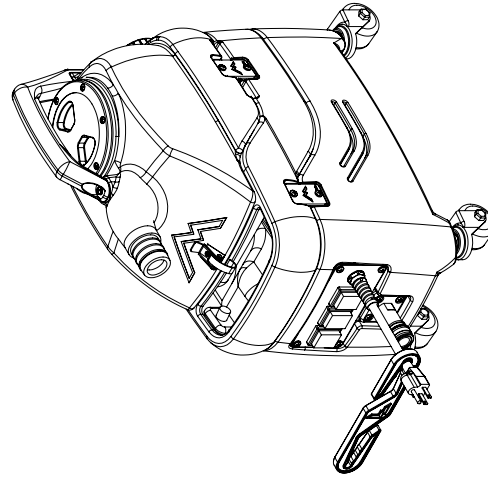
# S-300H TEMPO™ PARTS & PRICING

REVISIONS			
REV.	DESCRIPTION	DATE	APPROVED
OD	ORIGINAL DRAFT	2/20/16	JFL

ITEM NO.	PART NO.	DESCRIPTION	QTY.	MSRP
1	H230	screw, 10-32 x 1/2" philpan head, s/s	22	\$0.99 ea
2	H246	screw, 8-32 x 3/8" SHCS, alloy, Black	2	\$0.99 ea
3	H411	handle, S-300H, black	1	\$25.99 ea
4	H304	screw, 8 x 5/8", phil oval, s/s	6	\$0.99 ea
5	G030	lid, vac tank, 3.5", clear	1	\$13.99 ea
6	G088	vac tank deflector	1	\$8.99 ea
7	H451	latch, S-300H	1	\$17.99 ea
8	H664	filler strainer, spotter	1	\$6.49 ea
9	H453	elbow, 90 deg, pvc, 90, 3/4" mpt x 3/4" slip	1	\$4.99 ea
10	P610	vac tank, S-300H	1	\$49.99 ea
11	G036	cap, 2.5" threaded, tethered	1	\$3.49 ea
12	G004	gasket, vacuum motor	2	\$8.99 ea
13	C316	vac motor, 2 stage, 115V, peripheral	1	\$99.99 ea
14	H404	nut, hex, 3/8"-16	4	\$0.99 ea
15	H384	washer, 3/8 flat, s/s	4	\$0.99 ea
16	H637	caster, swivel, stem, 2", w/out lock	4	\$7.99 ea
17	H273	nut, kep. #10-32 zinc	10	\$0.99 ea
18	H484	plate, mounting, GD	1	\$8.99 ea
19	H445	fitting, strain relief, w/ spring, 1/2" npt	1	\$8.99 ea
20	E550	power cord, pigtail, 30", 12/3, black	1	\$11.49 ea
21	P568A	card lock, s-type	1	\$8.99 ea
22	E515	switch, rocker, 2 position	3	\$13.99 ea
23	H310	plate, switch, MyteeLite, 3 hole	1	\$6.99 ea
24	B102	qd. brass, 1/4" f x 1/4" fpt	1	\$17.99 ea
25	B130	45 deg. street elbow, brass, 1/4" male NPTF	1	\$5.49 ea
26	B107	nipple, brass, 1/4" m. hex	2	\$3.19 ea
27	P612	base, S-300H	1	\$59.99 ea
28	E574	Thermostat, 310°F ± 10°F, Manual, 1/4"	1	\$17.99 ea
29	H274	screw, 6 x 3/16, phil pan head, self-tapping	5	\$0.99 ea
30	E573	Thermostat, 200°, Auto, 1/4"	1	\$16.49 ea
31	E571	heating rod, 600W, 115V	1	\$49.99 ea
32	B142A	coupling, brass, 1/4" fpt x 1/4" fpt	1	\$4.49 ea
33	B108	valve, brass, 1/4" check	1	\$20.99 ea
34	B646	adapter, 1/4" mpt x 1/8" fpt	1	\$5.99 ea
35	B647	elbow, 90 deg, 1/8" mpt x 1/8" fpt	1	\$4.99 ea
36	C378	pump, 5psi, 115V flojet	1	\$41.99 ea
37	AH184	hose, pulse, 3/8" x 14-1/2" (OAL), f	1	\$27.99 ea
38	H250	bracket, set 55 psi pump	1	\$4.99 ea
39	B110	adapter, brass, 1/4" sw barb x 1/4" fpt, w/gasket	2	\$3.99 ea
40	H212	f1ct washer, 9/16" ID x 1 1/16" OD, AN960-C916	2	\$0.99 ea
41	B119	filter, strainer, 1/4"	1	\$3.99 ea
42	PH634-12	sofhose, 1/4" silicone braided, clear	1	\$6.49 ft
43	B170	ferule, 1/4" brass	2	\$0.99 ea
44	B194	nipple, hex, 1/4" mpt x 1/8" mpt	1	\$8.99 ea
45	B103	elbow, brass, 90 deg, 1/4" mpt x 1/4" fpt	1	\$4.49 ea
46	H903A	heater, aluminum cast, single	1	\$78.99 ea
47	P611	sol tank, S-300H	1	\$79.99 ea
48	H312	plate, connecting, MyteeLite	5	\$6.99 ea

### ITEMS NOT SHOWN

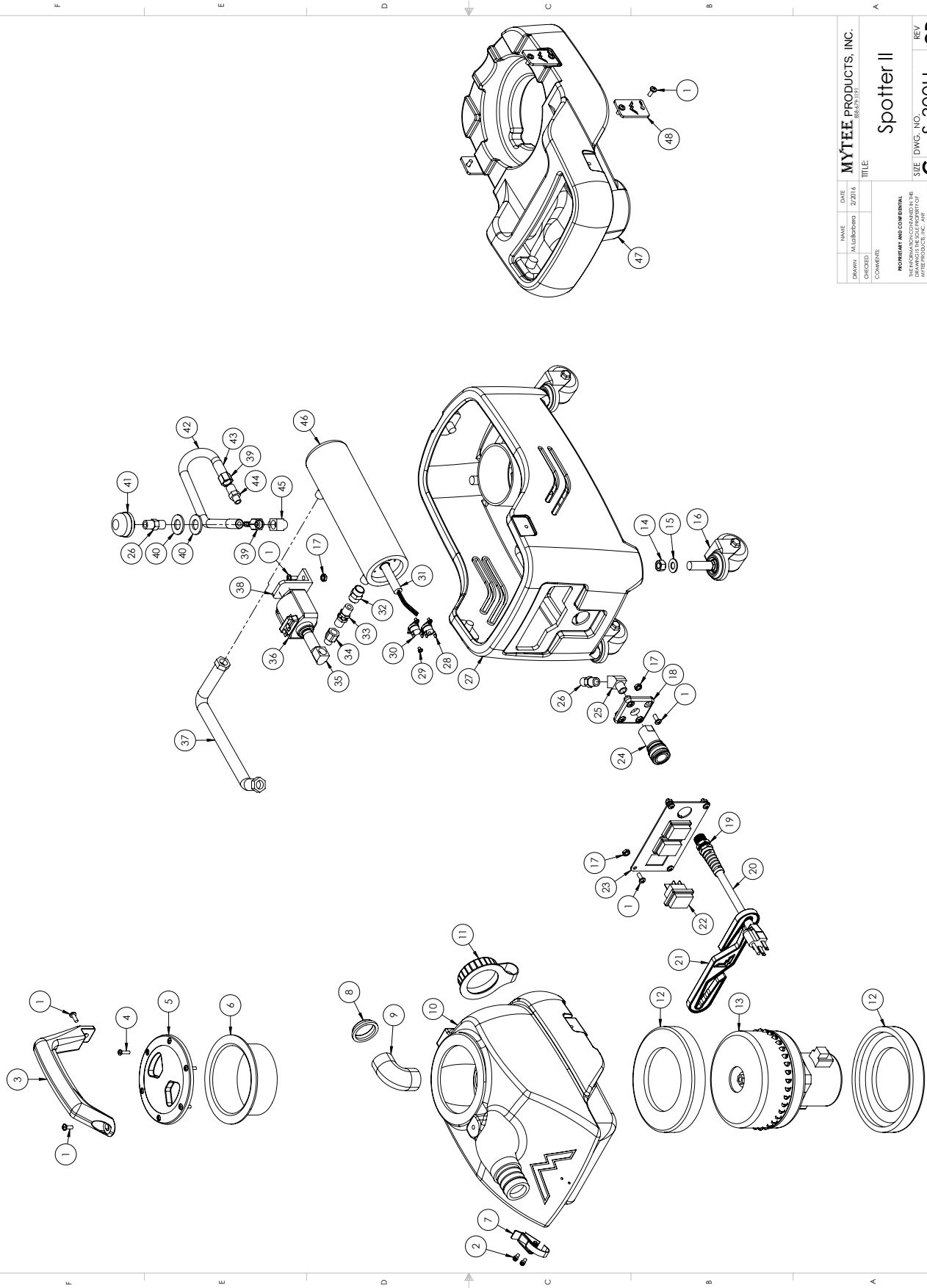
PART NO.	DESCRIPTION	QTY.	MSRP
E631	power cord, ext, blue lit, 25', 12/3	1	\$59.99 ea



NAME	DATE	MYTEE PRODUCTS, INC.
DRAWN	2/20/16	REVISED
CHECKED		
COMMENTS		
TITLE: Spotter II		
SIZE	DWG. T110	REV
C	S-300H	OD
SCALE	1:16	SHEET 1 OF 3

**PROPRIETARY AND CONFIDENTIAL**  
 THE INFORMATION CONTAINED IN THIS DRAWING IS THE PROPERTY OF MYTEE PRODUCTS, INC. ANY REPRODUCTION OR TRANSMISSION OF THIS DRAWING WITHOUT THE WRITTEN PERMISSION OF MYTEE PRODUCTS, INC. IS PROHIBITED.

# S-300H TEMPO™ PARTS & PRICING

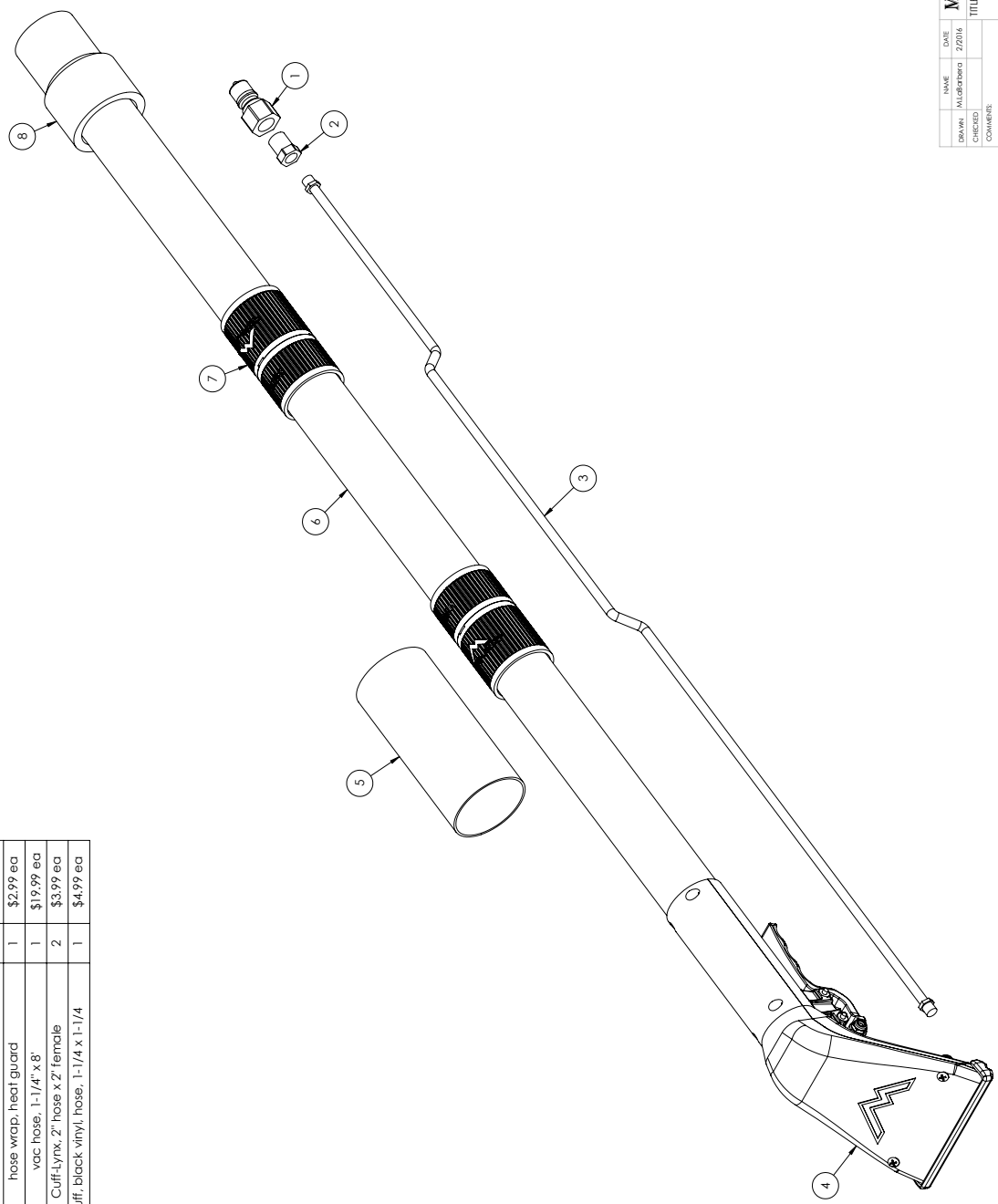


NAME	DATE	MYTEE PRODUCTS, INC.
DRAWN	2/2016	REV
CHECKED		
COMMENTS:		
<b>IMPORTANT AND COMPENSAL</b>		
THE INFORMATION CONTAINED IN THIS DRAWING IS THE PROPERTY OF MYTEE PRODUCTS, INC. AND IS TO BE USED ONLY FOR THE PURPOSES AND WITHOUT THE AUTHORIZATION OF MYTEE PRODUCTS, INC. IS PROHIBITED.		
TITLE	Spotter II	SCALE: 1:16
SIZE	DWG. NO. S-300H	REV OD
		SHEET 2 OF 3



# S-300H TEMPO™ PARTS & PRICING

ITEM NO.	PART NO.	DESCRIPTION	QTY.	MSRP
1	B101	qd. brass, 1/4" m	1	\$8.49 ea
2	B104	bushing, brass, 1/4" mpt x 1/8" f	1	\$1.99 ea
3	AH135	sol hose, 1/2" x 97", (OAL), m	1	\$36.99 ea
4	8400P	Air Life	1	\$114.99 ea
5	G079	hose wrap, heat guard	1	\$2.99 ea
6	H360	vac hose, 1-1/4" x 8'	1	\$19.99 ea
7	H133	Cuff-Lynx, 2" hose x 2" female	2	\$3.99 ea
8	H943	cuff, black vinyl, hose, 1-1/4 x 1-1/4	1	\$4.99 ea



DATE	2/2016	MYTEE PRODUCTS, INC.
NAME	M. Labadie	PROJECT
CHECKED		TITLE: Spotter II
<p><b>PROPERTY AND CONFIDENTIAL</b></p> <p>THE INFORMATION CONTAINED IN THIS DRAWING IS THE PROPERTY OF MYTEE PRODUCTS, INC. ANY REPRODUCTION OR TRANSMISSION OF THIS INFORMATION WITHOUT THE WRITTEN PERMISSION OF MYTEE PRODUCTS, INC. IS PROHIBITED.</p>		
REV	OD	SHEET 3 OF 3
SCALE	1:16	ISO STANDARD
SIZE	S-300H	
DWG. NO.	C	



# NOTES



Mytee Products Inc.  
13655 Stowe Dr.  
Poway, CA 92064  
[www.mytee.com](http://www.mytee.com)

© 2017 Mytee Products Inc.  
Printed in the U.S.A.