

# FIVESTAR

---

# OWNER'S MANUAL & PARTS LIST

This equipment is intended for commercial use only.



## WHEN THE MACHINE IS DELIVERED

Check the carton carefully for signs of rough handling. Remove the machine from the carton. If the machine is damaged, notify the carrier immediately and request an inspection. Be sure to keep the carton, packing inserts, packing list and carrier's receipt until the inspector has verified your claim.

EDIC's liability ceases when the shipment is picked up by the carrier but our customer service staff will be glad to furnish any information needed in connection with the claim and will expedite repair of the machine.

Obtain a return authorization number from the factory before returning the machine to us for repair or service.

## BEFORE OPERATING THE MACHINE

Read the manual carefully and completely before attempting to operate the unit. This manual has important information for the use and safe operation of the machine. Keep this manual handy at all times. This machine will ensure years of satisfactory service if operated and maintained according to recommendations in the manual. If additional information is needed, please contact your local distributor or write to:

EDIC  
1753 Blake Avenue  
Los Angeles, CA 90031

All information and specifications printed in the manual and parts list are current at the time of printing; however, because of EDIC's policy of continual product improvement, we reserve the right to make changes at any time without notice.

This machine is shipped with antifreeze in the solution line system to protect the pump and valves from freezing during transport and storage. Before you use the unit, rinse the solution line system with clean water (See Preparing the Machine).



### **WARNING: To Reduce the Risk of Fire, Electric Shock, or Injury**

- Do not leave the machine when plugged in. Unplug from the outlet when not in use and before servicing.
- Use indoors only.
- Do not allow to be used as a toy. Close attention is necessary when used by or near children.
- The machine was designed for use on carpet, hard floors and upholstery extraction application as per instructions and recommendations written in this manual. Any deviation from its proper use or purpose and the consequential damage that may occur is the sole responsibility of the end user.
- Do not use with damaged cord or plug. If the machine is not working as it should, or has been dropped, damaged, left outdoors, or dropped into water, return it to an authorized service center.
- Do not pull or carry by cord, use cord as a handle, close the door on cord, or pull cord around sharp edges or corners. Do not run machine over cord. Keep cord away from heated surfaces.
- Do not unplug by pulling on cord. To unplug, grasp the plug, not the cord.
- Do not handle plug or appliance with wet hands.



## **WARNING**

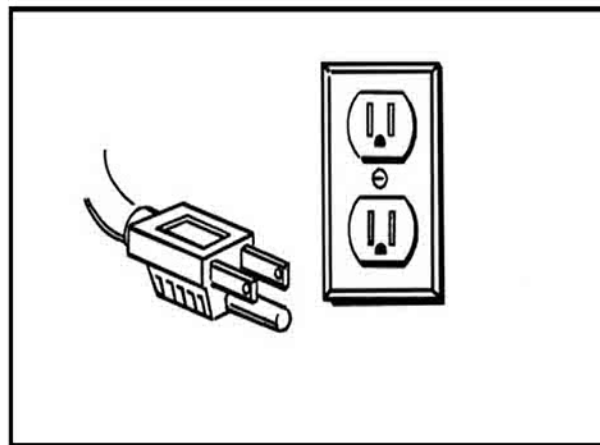
- Make sure the machine is plugged into an electrical outlet with the same voltage and frequency rating as shown on the nameplate of the machine. Do not attempt to plug a 115 volt machine into a 230 volt outlet.
- Do not immerse or use this machine in standing water. Such use can cause electric shock.
- Do not use to pick up flammable or combustible liquids such as gasoline or use in areas where they may be present.
- Do not expose machine to freezing temperatures.
- To avoid electric shock, do not expose the unit to rain-store indoors only.
- Connect to a properly grounded outlet only. See “Grounding Instructions.”
- Turn off all controls before unplugging.
- Do not use without filters in place.
- Do not put any object into openings. Do not use with any opening blocked; keep free of dust, lint, hair and anything that may reduce air flow.
- Do not pick up anything that is burning or smoking, such as cigarettes, matches or hot ashes.
- Do not use machine for dry vacuuming. This machine is not outfitted with a fine dust filter and it will damage the vacuum motor(s).
- Do not turn on the vacuum-pump switch when the solution tank is empty.
- Use defoamer at all times to prevent damage to the vacuum motor.
- Do not use water in excess of 140° F (62° C).
- Use only commercially available carpet cleaners and defoamer intended for use with extraction machines of this type. Do not use dyes, bleaches, ammonia, or other additives. The use of powdered cleaning solution if not diluted properly may result in damage to the pump.
- All servicing of EDIC equipment should be performed only by EDIC authorized service centers.
- Keep hair, loose clothing, fingers and all parts of the body away from openings and moving parts.
- Use extra care when cleaning on stairs.
- Do not use replacement parts other than those specified in the parts list. Proper maintenance if the machine could be affected if substitutions are made.
- Follow maintenance schedule strictly.

**FAILURE TO COMPLY WITH THE WARNING INSTRUCTIONS WILL VOID THE WARRANTY.**

# GROUNDING INSTRUCTIONS

To protect the operator from electric shock, EDIC equipped the machine with an approved three conductor cord and grounding plug. This plug is to be used with the proper grounding type receptacle.

An adapter is available for connecting three prong type plugs to two prong receptacles. The green colored rigid lug extending from the adaptor must be connected to a permanent ground such as a properly grounded outlet box. Do not break or pull out the grounding prong on the plug because it protects the operator from electric shock.



## CLEANING TIPS

- Check the condition of the area to be cleaned. Look for loose carpet, heavily soiled areas, stains or spots and worn areas. Bring these to the attention of the person in charge before performing the cleaning job. Make sure all edges of the carpet are securely tacked in place and all seams are sewn (or glued) tight. This is your protection against shrinkage.
- Locate an inconspicuous spot on the area to be cleaned. Test carpet for colorfastness before proceeding. Pour the concentrated cleaning solution on the spot, cover with a white towel and place a heavy object on top to absorb the cleaning solution. Wait approximately 10 minutes for any reaction to take place. Remove weight. If there is no color transfer, it should be safe to clean. Apply this procedure if different color-texture carpet is seen in adjacent rooms or areas to be cleaned.
- Remove the furniture from the area to be cleaned. Large pieces can be moved to opposite end of the room from where you start cleaning and replaced when it is completed. After cleaning carpet, place a small square of aluminum foil under the furniture legs to prevent moisture from damaging the finish and avoid dye and rust from transferring to the carpet.
- Clean the area with an upright vacuum. **DO NOT USE THIS MACHINE AS A DRY VACUUM!** Heavily soiled carpet or areas of concentrated foot traffic should be treated with recommended pre-spotting or pre-spray chemicals. If a spotter is used, follow label directions exactly. Do not allow any spotter or prespray to dry on the carpet as it may damage the carpet permanently.
- Identify the type of carpet fiber to be cleaned. Most commercial carpet fibers in use are acrylic or nylon based. Best results in cleaning would be obtained if hot water is used to clean these fibers. On the other hand, hot water would shrink natural fiber carpeting, like wool and cotton in particular. Exercise caution when cleaning natural fibers by using cool water, testing for colorfastness and applying the least amount of cleaning solution possible.
- Plan your cleaning route. Start cleaning at the farthest point away from where you plugged the machine and work back towards the outlet so that the cord will not get in the way.

## **TO CLEAN CARPET**

### **1. PREPARE THE MACHINE**

Make sure the switch is in the “OFF” position and all hoses are connected. Using only approved cleaning solution, mix according to the bottle instructions and pour in the correct side of the bucket. To reduce foaming, pour 2 ounces of defoamer into the recovery bladder. Place bucket onto machine and close lid.

### **2. TO CLEAN**

Turn switch to “CARPET” position. If the machine is an all floor model, turn the solution control valve located on the side of the machine to “CARPET.” Turn pump switch “ON.” While pushing the “ACTIVATE” switch, pull the machine as you step backwards. Release the “ACTIVATE” switch 6 inches before ending a stroke. Repeat cleaning stroke with 3” overlaps. Continue until cleaning solution is consumed. Empty and rinse bucket. Repeat steps 1 and 2.

### **3. CHECK BUCKET LID**

If excessive foam appears in the lid, add 2 ounces of defoamer or empty and rinse the bucket. Repeat steps 1 and 2.

### **4. CLEAN MACHINE BEFORE RETURNING.**

Clean the lid filter screen and rinse out bucket. Wipe all surfaces including the bottom of machine. Remove carpet lint and strings from brush and vacuum nozzle.

## **TO CLEAN UPHOLSTERY**

Cleaning upholstery with success requires a good knowledge of the type of fabric to be worked on. Look for the cleaning label sewn on the underside of the furniture for the recommended method of cleaning the fabric. If it calls for dry cleaning, do not attempt to clean with the wet extraction method. Otherwise, damage to the fabric could occur. Extraction works on most synthetic fibers.

Before proceeding, test fabric for colorfastness. Pour a small amount of cleaning solution on the fabric in an inconspicuous spot. Rub the area with a white terry towel. If no color comes off the towel, the fabric should be safe to clean. If color transfers, do not continue.

### **1. PREPARE THE MACHINE**

Complete Step 1 under Carpet Cleaning Instructions using approved Upholstery Cleaning Solution. Disconnect the vacuum hose with black hose cuff from the lid and disconnect the solution hose from the back of the machine. Replace them with the upholstery hoses.

### **2. TO CLEAN**

Turn switch to upholstery position. If the machine is an all floor machine model, turn the solution control valve located on the side of the machine to “CARPET.” Turn pump switch “ON.” Depress upholstery tool trigger while pulling tool across upholstery surface with overlapping strokes. To speed drying go over the upholstery without depressing the trigger. Continue cleaning until cleaning solution is consumed. Empty and rinse bucket. Repeat Step 1 and 2.

### **3. CHECK BUCKET LID**

See Step 3 under “To Clean Carpet.”

### **4. CLEAN MACHINE BEFORE RETURNING**

See Step 4 under “To Clean Carpet.”

# TO CLEAN HARD FLOORS

If your machine has a solution control valve located on the side of the machine, you may clean hard floors using the following instructions.

Turn the solution control valve to “floor.”

**WARNING:** USE ONLY APPROVED FLOOR CLEANING SOLUTIONS.

**WARNING:** To avoid possible scratching on soft surfaces such as marble, vinyl, etc., remove all abrasive materials from the surface to be cleared, such as sand, etc.

The FiveStar is intended to be used to scrub and clean hard floors surfaces.

- **DO NOT** use the machine to apply finish.
- **DO NOT** use the machine to apply stripper.
- **DO NOT** use the machine to vacuum up stripper.

When picking up harsher chemicals that have been applied to the floor using a separate sprayer, apply neutralizer through the machine to dilute the chemical that was applied to the floor.

1. Preparing the machine- See “To Clean Carpet.”
2. To Clean- Turn the solution control valve located on the side of the machine to “FLOOR” then follow sections 2, 3, and 4 under “To Clean Carpet.”

# DAILY MAINTENANCE

The FiveStar is engineered and built to require minimum maintenance. But like any machine, it does require some care to keep it in optimum working condition. Careful attention to these maintenance instructions will give you maximum operating performance and life expectancy of the machine.

**CAUTION:** Disconnect the power cord from the outlet before doing any clean up or maintenance on the machine.

1. Keep the machine clean, inside and out including the lid, bucket, brush and brush chamber.
2. Pour a gallon of clean hot water in the smaller opening of the bucket. Turn the pump on and flush the entire system through the spray nozzles for about a minute to prevent alkaline build-up.
3. Keep filters clean.
4. Quick connect coupler- Spray with silicone lubricant to keep coupler from sticking.
5. Valve, upholstery tool- If the plunger on the valve sticks, spray with silicone lubricant.

# TROUBLESHOOTING

## **ELECTRICAL SYSTEM**

### *PROBLEM*

No electrical power.

Switch is turned on. Power is intermittent to all motor(s).

### *POSSIBLE CAUSE*

1. Defective power cord.
2. House or building circuit breaker tripped.

1. Faulty electrical cable
2. Defective switches.
3. Loose terminal or terminal connections.

## **VACUUM SYSTEM**

### *PROBLEM*

No vacuum.

Low vacuum.

### *POSSIBLE CAUSE*

1. Vacuum lid is not sealed against tank.
2. Loose vacuum hose, vacuum connection.

1. Accumulated dirt on lid screen.
2. Worn out vacuum lid gasket.
3. Lint & dirt build-up on vacuum nozzle.
4. Defective vacuum hose.
5. Loose connection in the vacuum motor(s).

## **SOLUTION SYSTEM**

### *PROBLEM*

Pump motor is on but there is no spray through the spray tip.

Uneven or weak spray from tip.

### *POSSIBLE CAUSE*

1. Clogged spray tip.
2. Clogged filter screen on end of dome hose.
3. Plugged female quick disconnect coupler.
4. Punctured pump diaphragm.
5. Defective pump check valve.
6. Crack in pump housing.
7. Debris in check valve.

1. Clogged or dirty spray tip.
2. Accumulated dirt on filter screen of dome hose.
3. Accumulation of debris inside pump and plumbing.
4. Worn pump bearing (excessive noise).
5. Punctured pump diaphragm.
6. Defective rectifier or motor.
7. Worn nozzles.

## **BRUSH SYSTEM**

### *PROBLEM*

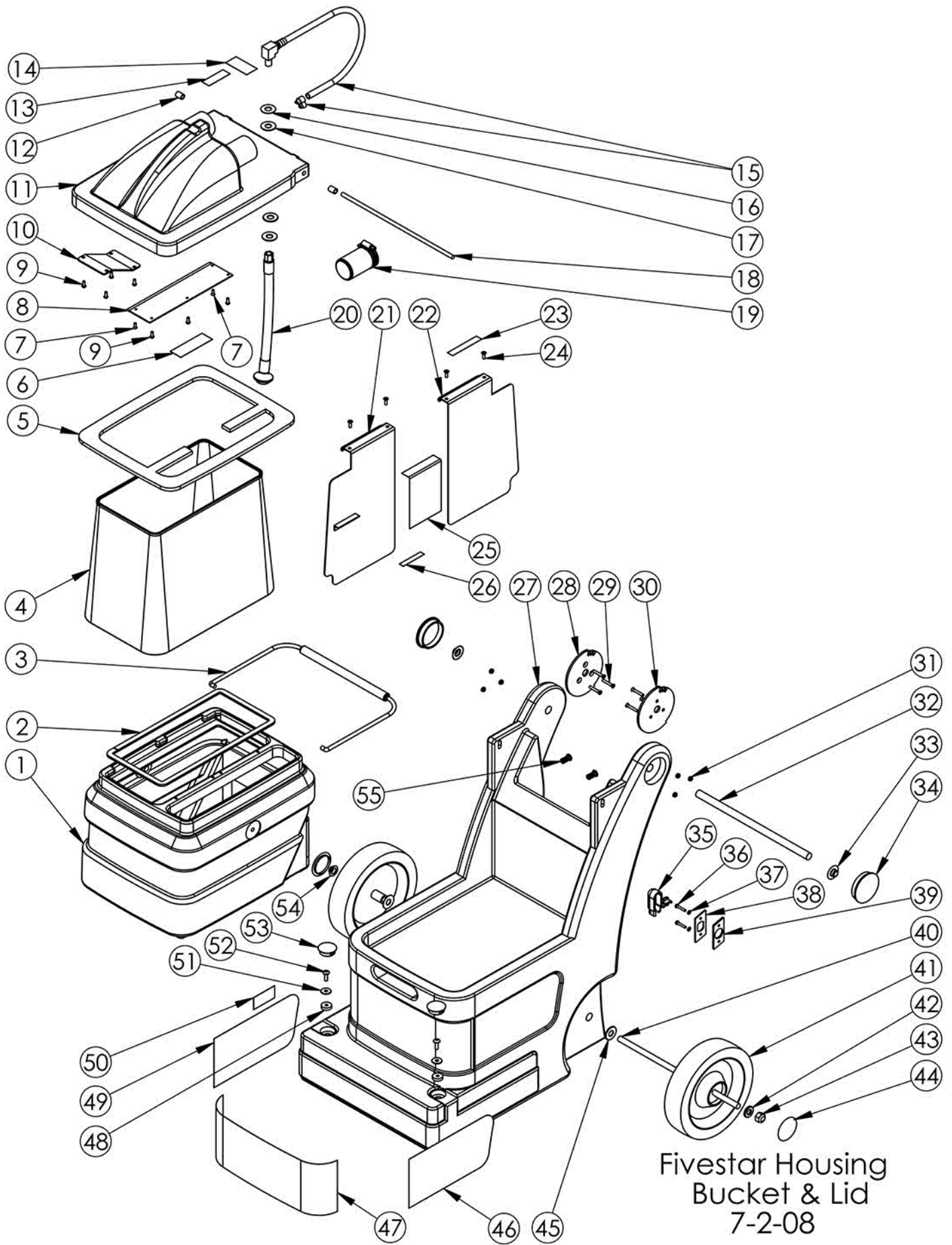
Motor runs, brush won't spin.

Brush motor fails to turn on after circuit breaker has been reset.

### *POSSIBLE CAUSE*

1. Defective belt.
2. Brush jammed.

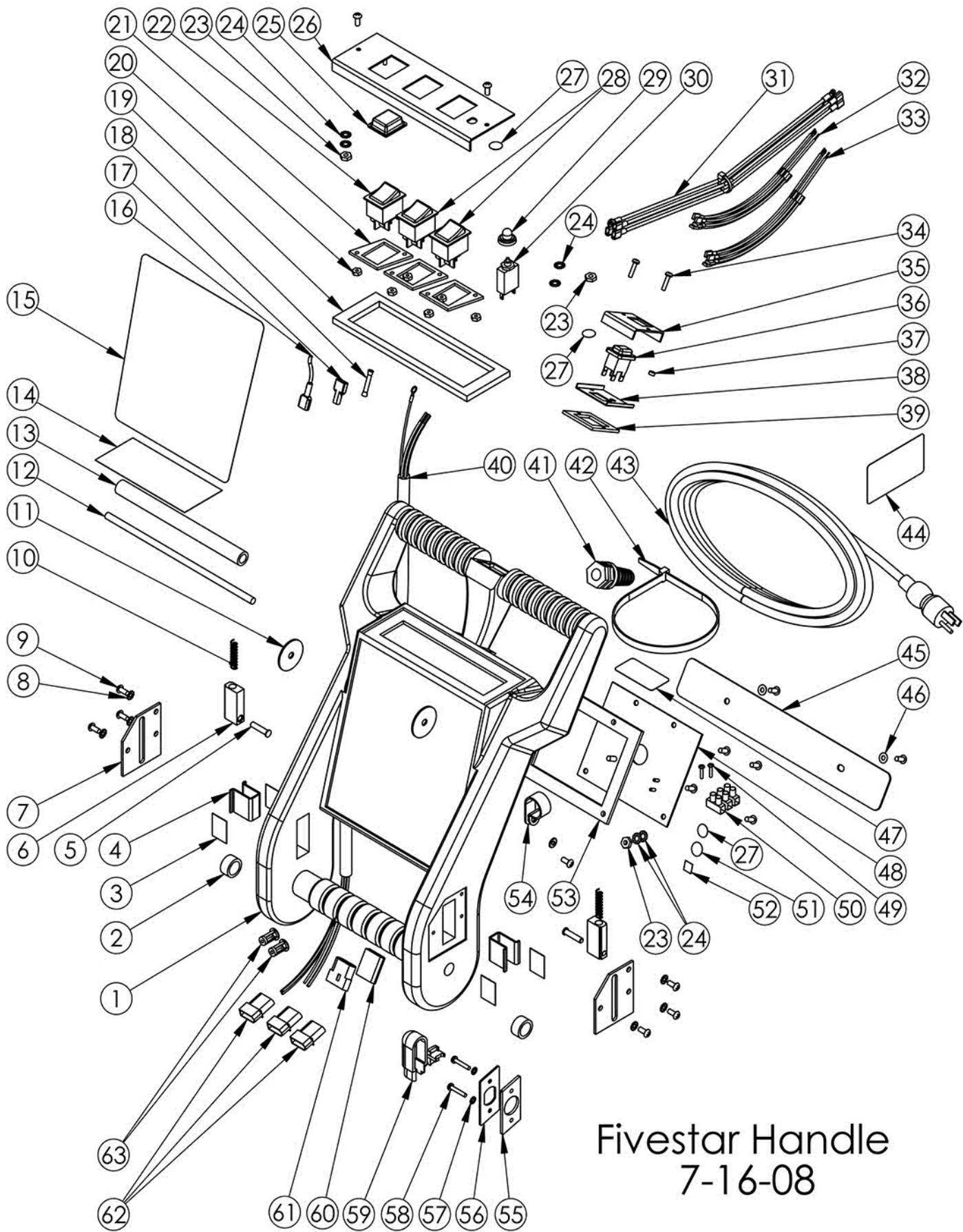
1. Brush jammed.
2. Blown breaker.
3. Defective motor.
4. Defective switch.
5. Loose wiring connection.





# HOUSING PARTS LIST

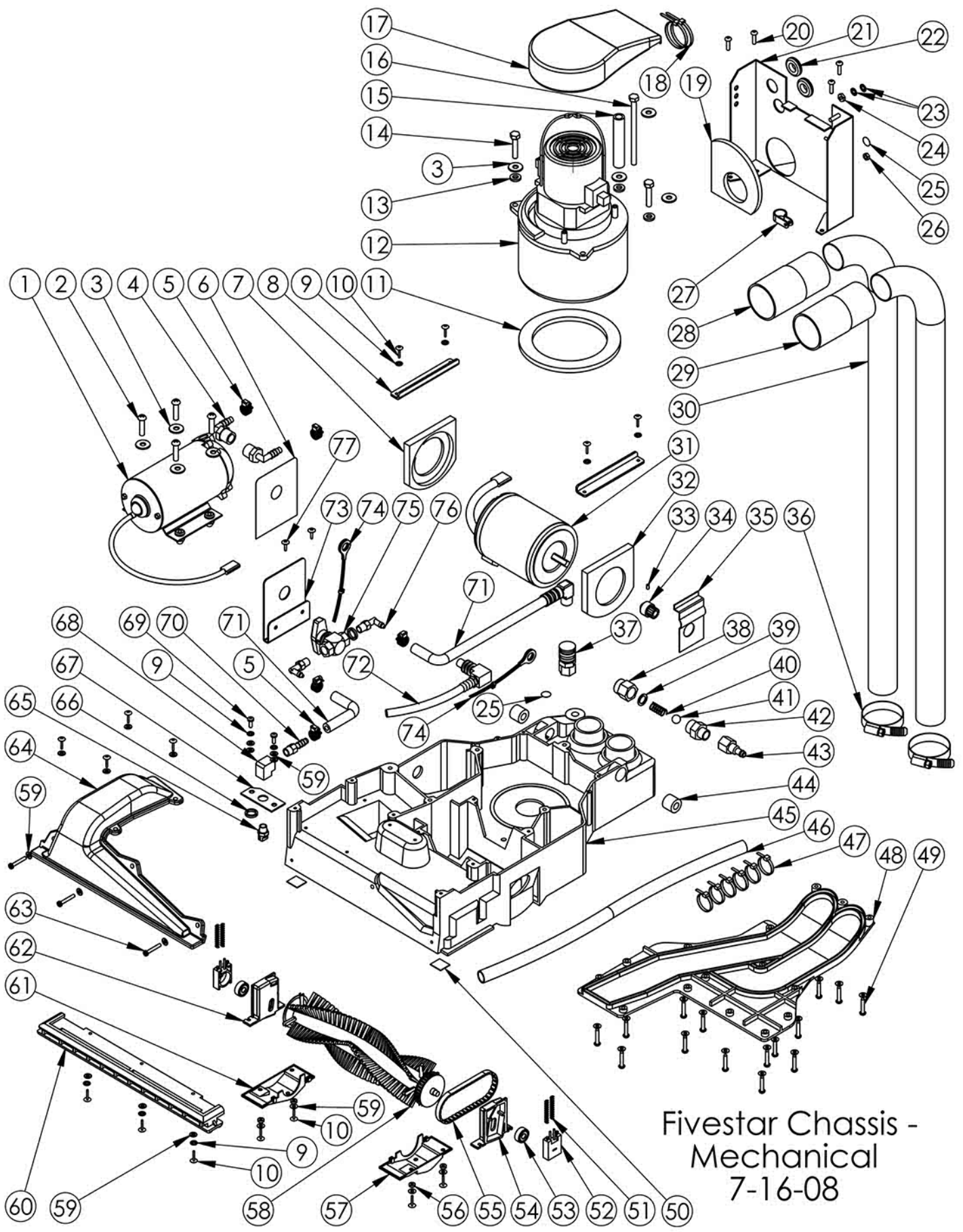
ITEM #	PART #	DESCRIPTION	QTY
1	F10484	Tank	1
2	E10771	Gasket, Bucket, .375 X 33	1
3	D10452	Assy., Bail Handle	1
4	10490A	Assy., Bladder, Fivestar SLDPRT	1
5	E10533	Gasket, Dome, (S3), 5S	1
6	H10565	Label, Keep Filter Screens	1
7	C02238-38	Screw, 6-32 X .375, SS	2
8	D10761	Deflector Plate, Black	1
9	C00324-38	Screw, 6-32 X .375 RH, SS	7
10	D10768	Deflector Plate, Black	1
11	10454-1A	Dome, Fivestar, Standard	1
12	E10732	Tube, Latex, .25 in ID	2
13	H10574	Label, Patents	1
14	H10843	Label, Warning, Keep Inside	1
15	10780A	Assembly, Hose, Pump to Dome	1
16	C10503	Washer, Delrin .375 ID	2
17	E10504	Gasket, Washer, Dome, Hose	2
18	D10524	Shaft, Dome Hinge, Fivestar	1
19	D10767	Filter, Airflow, 1.50 in	1
20	10543-1A	Assy., Hose W/ Filter, Chk Valve	1
21	D10760	Plate, Divider, Bucket, Front, Epoxy Grey	1
22	D10762	Plate, Divider, Bucket, Rear, Epoxy Grey	1
23	H10572	Label, Anti-Foam Solution	1
24	C00307-12	Screw, 8-32 X .5 Flathead	4
25	H10740	Label, Cleaning Solution	1
26	H10571	Label, Fill Level, Tank	1
27	F11882	Motor Housing	1
28	D10486-1	Disk, Handle Locking, Left	1
29	C90010	Screw, 8-32 X 1 in, FH	6
30	D10485-1	Disk, Handle Locking, Right	1
31	C02320	Locknut, 8-32, Nylon, SS	6
32	D10508	Tube, Handle, Fivestar	1
33	C02305	Cap Nut, .5 in Push-on	2
34	K010142	Plug, 2.0 in, Black	2
35	B10734	Strain Relief, Handle	1
36	C90006	Screw, 6-32 X .75 in, Phillips	2
37	C00258-2	Lockwasher, #6 Ext. Star	2
38	D10618	Plate, Strain Relief, Black	2
39	E10723	Gasket, Strain Relief, 5S	2
40	D10523-3	Axle, Wheel, Fivestar	1
41	G10458	Wheel, 7 in, .375 in Bore, Grey	2
42	C00252	Washer, .375 in, Flat	1
43	C11558	Locknut, .375 - 16, Nylon	1
44	G10458-2	Hub Cap	2
45	C10546	Washer, Flat, 1 X .048 in	2
46	H10729	Label, Motor Housing, Right	1
47	H10727	Label, Motor Housing, Front	1
48	C10757	Washer, Cushioning, 80 Shore	2
49	H10728-SP	Label, Motor Housing, Left	1
50	H10577	Label, Caution, Risk Of	1
51	C90009	Washer, Flat, SS, .687 in	2
52	C90007	Screw, 10-32 X .627 Phillips	2
53	K10510	Plug, 1 in Round, Snap In	2
54	C02305-1	Cap Nut, .375, Push On	1
55	C10725	Jacknut, 6-32, Aluminum	2



Fivestar Handle  
7-16-08

# HANDLE PARTS LIST

ITEM #	PART #	DESCRIPTION	QTY
1	F10482	Handle	1
2	A10600	Bushing, PVC, .750 x .375	2
3	E10805	Shim, Teflon, Handle Lock	4
4	D10690	Bracket, Guide Lock	2
5	C10692	Pin, Slide Lock, Steel	2
6	F10689	Slide Lock, Nylon, Fivestar	2
7	D10487	Plate, Cover, Locking	2
8	C02248-1	Lockwasher, #8 Ext. Star	6
9	C00311	Screw, 8-32 X .375 RH	15
10	D10494	Spring, Lock Mechanism	2
11	C10730	Washer, Nylon, 1.25 OD	2
12	D10479	Rod, Pull Lock, Fivestar	1
13	F10691	Tube, Pull Lock, .025 X 6.75 PVC, Black	1
14	H10777	Label, Handle Adjust	1
15	H10518-2	Label, Handle, Fivestar	1
16	B00177	Spade Connector, Female	1
17	B00177-1	Terminal Lug, Female, QD, .25 X .032	1
18	B00181	Wire Splice, Blue, 1 Wire	1
19	E10698	Gasket, Switchplate	1
20	C00277-1	Hex Nut, 6-32, SS	6
21	D10594	Plate, Compression	3
22	B00188	Switch, Rocker, DPDT, Black	1
23	C00264	Hex Nut, 10-32 SS	3
24	C00256	Lockwasher, #10 Ext. Star	6
25	B00214-2	Cover, Switch, Rocker	1
26	D10713	Plate, Switch, 3 Switch, 5S	1
27	H10911	Label, Grounding Mark	3
28	B02211-1	Switch, Rocker, Green Light	2
29	B02193	Seal, Circuit Breaker	1
30	B10554-1	Circuit Breaker, 1.0 Amp	1
31	B10570	Harness, Momentary Switch	1
32	B10747	Harness, Jumper Switches	1
33	B10866	Wire Harness, 3-Switch, 5S	1
34	C10739	Screw, 6-32 X .625 Pan Head Phillips, SS, Machine Screw	2
35	D10481	Plate, Mntng, Momentary	1
36	B10513	Switch, Pushbutton, 250V	1
37	K00685	Spacer, Cord Wrap, 1204AC	1
38	D10590	Plate, Momentary Switch	1
39	E10705	Gasket, Momentary Switch	1
40	B10553	Main Harness, 5S, 115V	1
41	B11199	Strain Relief, Pigtail	1
42	B03229	Tie for Upholstery Tool	1
43	B10719	Power Cord, 3-16 AWG, 300V AC, SJTO, 20', Black	1
44	H02548-2	Label, Important, Cord	1
45	D10501	Plate, Cord Wrap, Fivestar	1
46	C02231	Washer, #8 SAE, SS	3
47	H10976	Label, UL STD 561-507	1
48	D10496	Cover Plate, Black, Power	1
49	C90008	4-40 X .50, Phillips	2
50	B02190	Terminal Block, 3 Pole	1
51	H11914	Label, Neutral	1
52	H11913	Label, Load	1
53	E10717	Gasket, Power Cord, 5S	1
54	B00183	Cable Clamp, Nylon, .75	1
55	E10723	Gasket, Strain Relief, 5S	1
56	D10618	Plate, Strain Relief, Black	1
57	C00258-2	Lockwasher, #6 Ext. Star	2
58	C9006	Screw, 6-32 X .75 in, Phillips	2
59	B10734	Strain Relief, Handle	1
60	B11729	Molex, Male	1
61	B11730	Molex, Female	1
62	B02176	3-C Molex, Female	3
63	C10725	Jacknut, 6-32, Aluminum	2



Fivestar Chassis -  
 Mechanical  
 7-16-08

# CHASSIS- MECHANICAL PARTS LIST

ITEM #	PART #	DESCRIPTION	QTY
1	10763A	Pump, 45PSI, Flojet, 115V 5S	1
2	C02308	.25-20 X 1 Round Head	4
3	C00233	Washer, Flat, .25 in	8
4	A10578	90 Elbow, .375 NPT X 1-4B	2
5	J00651	Screw Clamp, .25 to .625	5
6	H10778	Label, Solution Contro	1
7	E10446	Motor Mount, Rear, Flojet	1
8	D10447	Clamp, Brushmotor, Fivestar	2
9	C02248	Lockwasher, #8 Int. Star	9
10	C10737	Screw, 8-32 X .625, SS Truss	15
11	E10521	Gasket, Vac Motor, 20 LB., Poron	1
12	G00520-1L	Vacuum, 106 in, 115 V, 5.7 Reverse Fan	1
13	C10674	Washer, Cushioning	3
14	C02310	Hex Bolt, 1-4 X 20 X 1.25 in	2
15	K10691	PVC Pipe, 1-4 in SCH 80	1
16	C02306	Hex Bolt, 1-4 - 20 X 4 in	1
17	F10542	Intercooler, Black	1
18	B00191	Nylon Tie, 11 in Black	2
19	E10650	Gasket, Backplate, (S3), 5S	1
20	C02288	Screw, #8 X .63 Plastite PH	4
21	D10475	Backplate, Black, Fivestar	1
22	E10520	Grommet, Neoprene, 1 in OD	2
23	C00256	Lockwasher, #10 Ext. Star	2
24	C00264	Hex Nut, 10-32 SS	1
25	H10911	Label, Grounding Mark	2
26	C00280	Hex Nut, 8-32 Black Zinc	1
27	B03176	Cable Clamp, Nylon, .50 in	1
28	J10744-1	Cuff, Black, 1.75 in Slip-On	1
29	J10744	Cuff, Grey, 1.75 in Slip-On	1
30	J00618-1	1.50 in Wire Supported Grey, Wire Reinforced, 34 in ea	2
31	10442-1A	Brush Motor, 115V-60Hz, 5S	1
32	E10445	Motor Mount, Front, Flojet	1
33	C02260	Set Screw, 8-32 X .25	1
34	D10437	Pulley, 16 Tooth Diecast Zamak 3	1
35	D10665	Bracket, Belt Limit, 5S	1
36	J00650	Screw Clamp, #24, 1.25 in	2
37	A00109	QD, 1-8 Female X 1-8 FP	1
38	A00097A	Cap, Inline Filter	1
39	C13046	Flat Washer, .375 in Brass	1
40	D12094	Spring, 0.750 X 0.325 in Brass	1
41	D12093	Ball, .437 inch, 302	1
42	A00094C	Check Valve Body	1
43	A12091	QD Plug to 1-4 MP, Brass	1
44	E10470	Tube, Latex, Fivestar Axle	2
45	F10427-2	Chassis, Fivestar	1
46	F00463	Corrugated Loom, .15 in	1
47	B00190	Nylon Tie, 4 in	6
48	10430A	Cover, Bottom, Injection Molded	1
49	C11020	Screw, Plastite, 8-16 X .875	15
50	E10651	Pad, Teflon, Brush Assy, 5S	2
51	D10426	Spring, Brush, Fivestar	4
52	F10410-1	Slide Block, Brush Bearing, 3 Gallon Unit	2
53	10425	Bearing, Brush, 3 Gallon	2
54	F10413	Brush Retainer, Right	1
55	L10448	Belt, 3 Gallon, 7mm X 300mm	1

# CHASSIS- MECHANICAL PARTS LIST

ITEM #	PART #	DESCRIPTION	QTY
56	C10736	Washer, Cushioning, #8	4
57	F10416-1	Brush Cover, Left Side	1
58	10420-3A	Brush, Fivestar, Sloped	1
59	C02231	Washer, #8	33
60	10474A	Vacuum Shoe, Fivestar	1
61	F10423-1	Brush Cover, Right Side	1
62	F10422	Brush Retainer, Left	1
63	C10785	Screw, 8-32 X 1 in, Truss Hd., Stainless, Phillips	3
64	10429A	Cover, Suction, Fivestar	1
65	A00089-6	Spray Tip, 11006 X .125 in MP	1
66	C02298	Washer, Nylon	2
67	D10506	Bracket, Spray Nozzle	1
68	A00073	90 Elbow, .125 FP X .125 PF Brass	1
69	C00310-12	Screw, 8-32 X .50 in, Phillips	2
70	A00136	1-4 Barb X 1-8 MP, Nylon	1
71	12132A	Hose, 17 in	1
72	10990A	Hose Assy. F QD to Pump	1
73	D10787	Bracket, Floor Valve	1
74	B10528	Ground Wire, QD, 21 in, 5S	2
75	G10758	Valve, Ball, Fivestar	1
76	A00130	90 Deg Elbow, .125 MP X .25 in Barb, Nylon	2
77	C02296	#10 X .50 Sheet Metal	2