

ES300 ST, ES300 XP, ES400 XLP



Instructions for Use - Original Instructions

Instrucciones de Uso

Manual de Utilização

Mode d'emploi

MODELS 56265500 (ES300 XP), 56265501 (ES400 XLP), 56265502 (ES300 ST)



Advance

A-English
B-Español
C-Français

TABLE OF CONTENTS

	Page
Introduction	A-3
Parts and Service	A-3
Nameplate	A-3
Uncrating the Machine.....	A-3
Cautions and Warnings	A-4
Grounding Instructions	A-5
Know Your Machine – ES400™	A-6 – A-7
Know Your Machine – ES300™	A-8 – A-9
Know Your Control Panel	A-10
Preparing the Machine for Use	
Filling the Solution Tank.....	A-11
Before Using.....	A-11
Pre-Spraying the Carpet.....	A-11
Plan for Cleaning	A-11
Operation	
Operating the Machine	A-12 – A-13
Using Attachments.....	A-12 – A-13
Hard Floor Kits.....	A-13
After Use	
After Using the Machine	A-14
Maintenance	
Maintenance Schedule	A-14
Vacuum Shoe Maintenance.....	A-14
Spray Nozzle Maintenance.....	A-15
Power Cord Maintenance.....	A-15
Power Brush Maintenance	A-15
Removing the Brush.....	A-15
Troubleshooting	A-16
Accessories / Options.....	A-17
Technical Specifications	A-17

INTRODUCTION

This manual will help you get the most from your Advance™ carpet extractor. Read it thoroughly before operating the machine.

This product is intended for commercial use only.

PARTS AND SERVICE

Repairs, when required, should be performed by your Authorized Advance Service Center, who employs factory trained service personnel, and maintains an inventory of Advance original replacement parts and accessories.

MODIFICATIONS

Modifications and additions to the cleaning machine which affect capacity and safe operation shall not be performed by the customer or user without prior written approval from Nilfisk, Inc. Unapproved modifications will void the machine warranty and make the customer liable for any resulting accidents.

NAMEPLATE

The Model Number (also known as Part Number) and Serial Number of your machine are shown on the Nameplate, located on the rear base of the machine. This information is needed when ordering repair parts for the machine. Use the space below to note the Part Number and Serial Number of your machine for future reference.

PART NO. _____

SERIAL NO. _____

UNCRATING THE MACHINE

When the machine is delivered, carefully inspect the shipping carton and the machine for damage. If damage is evident, save the shipping carton so that it can be inspected. Contact the Advance Customer Service Department immediately to file a freight damage claim.

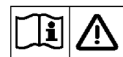
WARNING!

The Products sold with this Manual contain or may contain chemicals that are known to certain governments (such as the State of California, as identified in its Proposition 65 Regulatory Warning Law) to cause cancer, birth defects or other reproductive harm. In certain locations (including the State of California) purchasers of these Products that place them in service at an employment job site or a publicly accessible space are required by regulation to make certain notices, warnings or disclosures regarding the chemicals that are or may be contained in the Products at or about such work sites. It is the purchaser's responsibility to know the content of, and to comply with, any laws and regulations relating to the use of these Products in such environments. The Manufacturer disclaims any responsibility to advise purchasers of any specific requirements that may be applicable to the use of the Products in such environments.

IMPORTANT SAFETY INSTRUCTIONS

This machine is only suitable for commercial use, for example in hotels, schools, hospitals, shops and offices other than normal residential housekeeping purposes.

When using an electrical appliance, basic precautions should always be followed, including the following:



Read all instructions before using this appliance.

WARNING!

To reduce the risk of fire, electric shock, or injury:

- Do not leave the appliance when it is plugged in. Unplug the unit from the outlet when not in use and before servicing.
- To avoid electric shock, do not expose to rain. Store indoors.
- This machine is not intended for use by persons (including children) with reduced physical, sensory or mental capabilities, or lack of experience and knowledge.
- Do not allow to be used as a toy. Close attention is necessary when used near children.
- Use only as described in this manual. Use only the manufacturer's recommended attachments.
- Do not use with damaged cord or plug. If the appliance is not working as it should be, has been dropped, damaged, left outdoors or dropped into water, return it to a service center.
- Do not pull or carry by the cord, use the cord as a handle, close a door on the cord, or pull the cord around sharp edges or corners. Do not run the appliance over the cord. Keep the cord away from heated surfaces.
- Do not unplug by pulling on the cord. To unplug, grasp the plug, not the cord.
- Do not handle the plug, cord or appliance with wet hands.
- Do not put any object into openings. Do not use with any opening blocked; keep free of dust, lint, hair, and anything that may reduce air flow.
- Keep loose clothing, hair, fingers, and all parts of body away from openings and moving parts.
- Do not pick up anything that is burning or smoking, such as cigarettes, matches, or hot ashes, or any health endangering dusts.
- Turn off all controls before unplugging.
- Use extra care when cleaning on stairs.
- Do not use to pick up flammable or combustible liquids such as petrol or use in areas where they may be present.
- If foam or liquid comes out with the vacuum exhaust, switch power off immediately. Verify that there are no foreign objects obstructing the float ball from moving freely. Contact Advance if the problem persists.
- Liquid ejected at the spray nozzle could be dangerous as a result of its temperature, pressure or chemical content.
- Only use the brushes provided with the appliance or those specified in the instruction manual. The use of other brushes may impair safety.

SAVE THESE INSTRUCTIONS

120VAC GROUNDING INSTRUCTIONS

This appliance must be grounded. If it should electrically malfunction, grounding provides a path of least resistance for electric current to reduce the risk of electric shock. This appliance is equipped with a cord having an equipment-grounding conductor and grounding plug. The plug must be plugged into an appropriate outlet that is properly installed and grounded in accordance with all local codes and ordinances.

⚠ DANGER!

Improper connection of the equipment-grounding conductor can result in a risk of electric shock. Check with a qualified electrician or service person if you are in doubt as to whether the outlet is properly grounded. Do not modify the plug provided with the appliance. If it will not fit the outlet, have a proper outlet installed by a qualified electrician.

This appliance is for use on a nominal 120-volt circuit, and has a grounding plug that looks like the plug illustrated in Figure 1 below. A temporary adapter illustrated in Figures 2 and 3 may be used to connect this plug to a 2-pole receptacle as shown in Figure 2 if a properly grounded outlet is not available. The temporary adapter should be used only until a properly grounded outlet (Figure 1) can be installed by a qualified electrician. The green-colored rigid ear, tab, or the like extending from the adapter must be connected to a permanent ground such as a properly grounded outlet box cover. Whenever the adapter is used, it must be held in place by a metal screw.

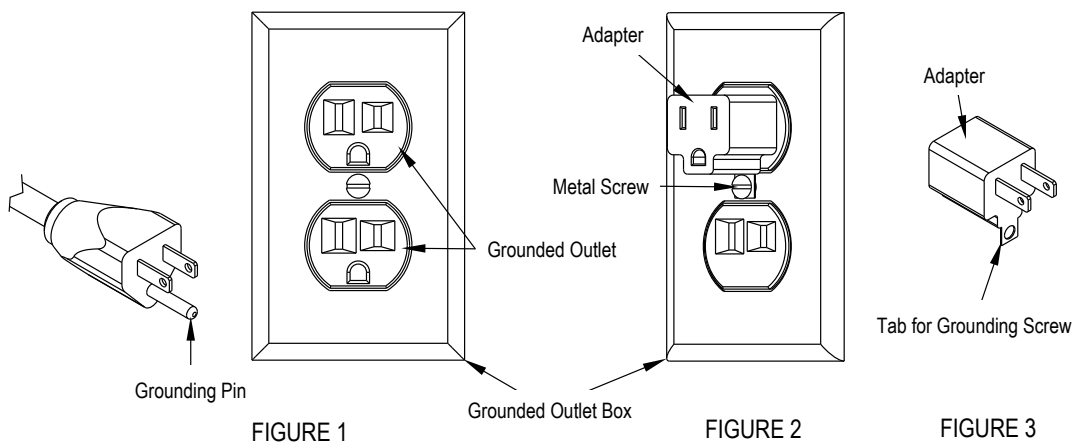
Grounding adapters are not approved for use in Canada.

Replace the plug if the grounding pin is damaged or broken.

The Green (or Green/Yellow) wire in the cord is the grounding wire. When replacing a plug, this wire must be attached to the grounding pin only. Extension cords connected to this machine should be 2.5mm² (12 AWG), three-wire cords with three-prong plugs and outlets. DO NOT use extension cords more than 15 M (50 ft) long.

⚠ WARNING!

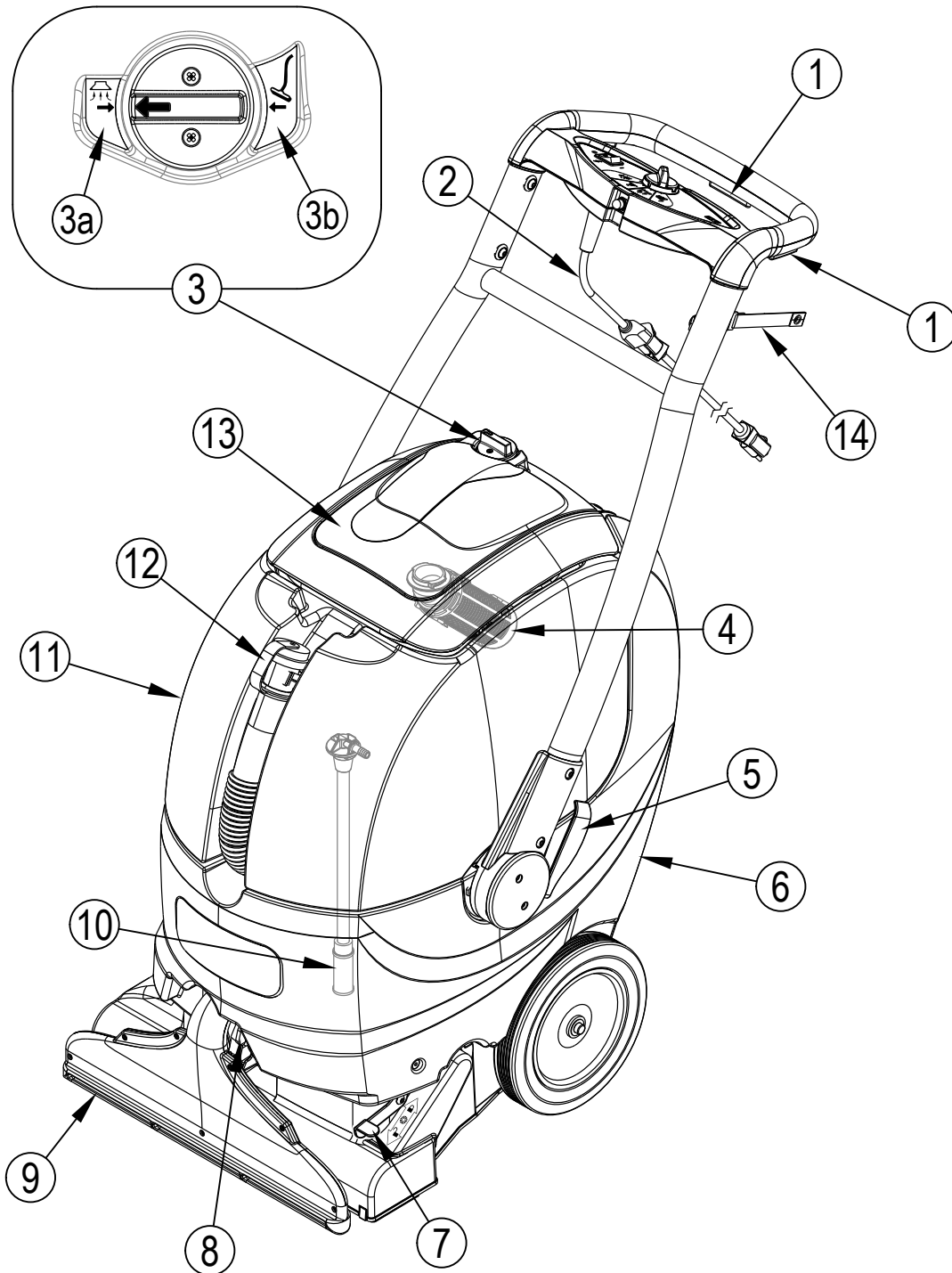
- If an extension cord is used, the plug and socket must be of watertight construction.
- Inadequate extension cords can be dangerous.



PLEASE NOTE: FOR PARTS OF NORTH AMERICA ONLY. NOT APPROVED FOR USE IN CANADA.

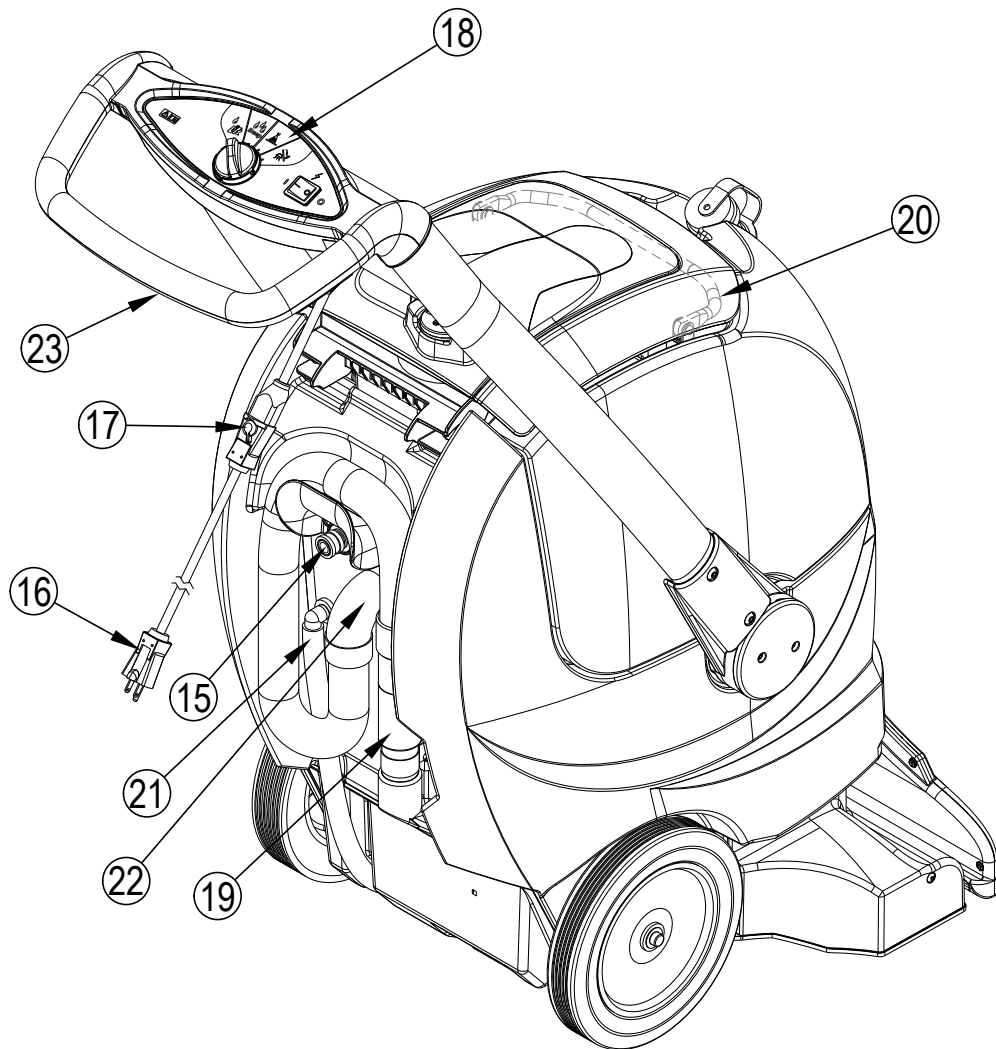
KNOW YOUR MACHINE – ES400

- | | | | |
|----|-----------------------------------|----|---------------------------|
| 1 | Solution Switches (quantity of 3) | 7 | Brush Storage Lift Lever |
| 2 | Pigtail Cord | 8 | Vacuum Shoe Release Lever |
| 3 | Vacuum Mode Selector Knob | 9 | Vacuum Shoe |
| 3a | Vacuum Shoe Mode | 10 | Solution Filter |
| 3b | Accessory Mode | 11 | Recovery Tank |
| 4 | Automatic Float Shut-Off | 12 | Recovery Tank Drain Hose |
| 5 | Handle Angle Adjust Release Lever | 13 | Recovery Tank Dome Lid |
| 6 | Solution Tank | 14 | Cord Retainer Strap |



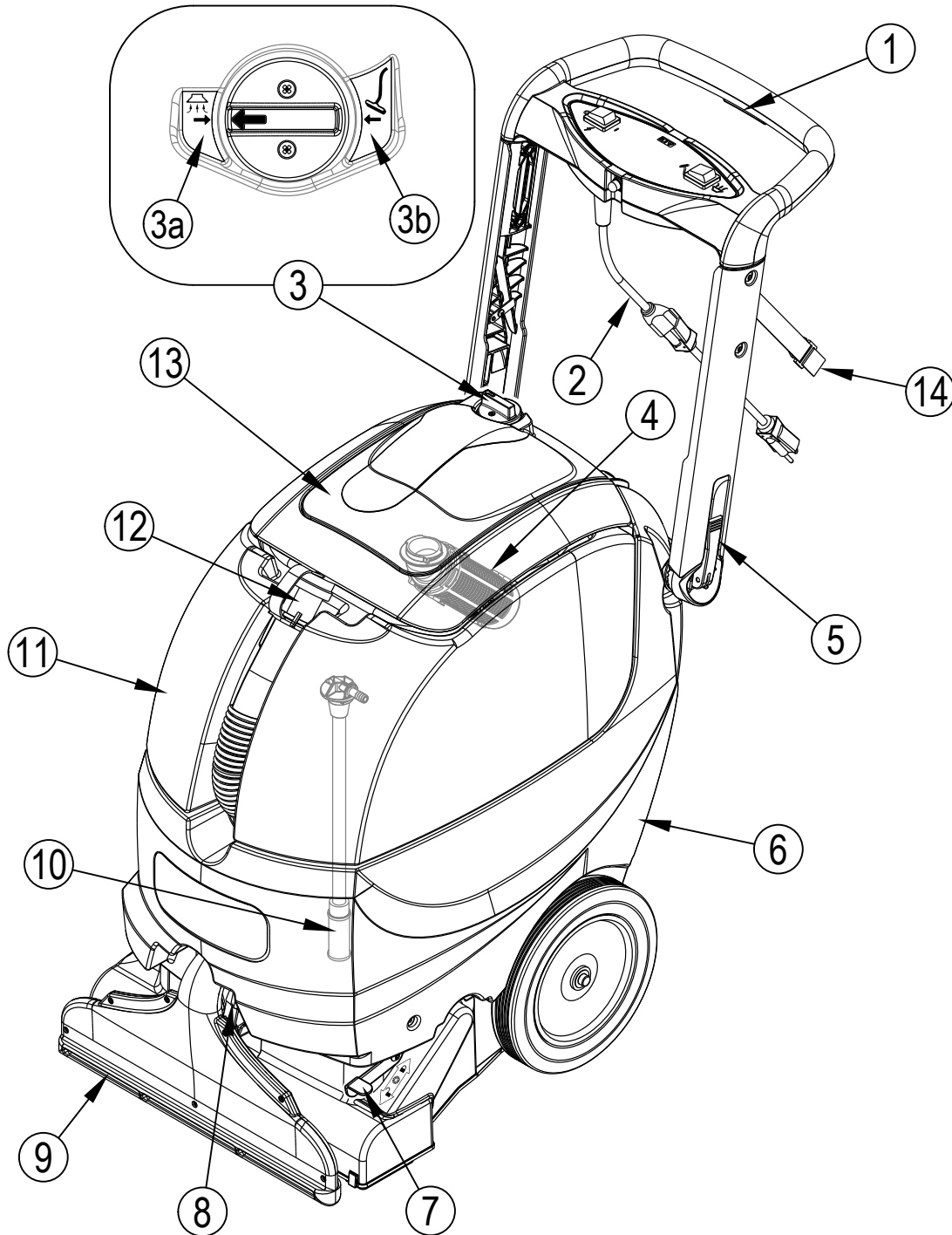
KNOW YOUR MACHINE – ES400

- 15 Accessory Solution Port
- 16 Power Cord
- 17 Power Cord Locking Mechanism
- 18 Control Panel
- 19 Hand Tool (Optional)
- 20 Recovery Tank Handle
- 21 Solution Drain Hose / Level Indicator
- 22 Accessory Vacuum Hose Port
- 23 Handle Assembly



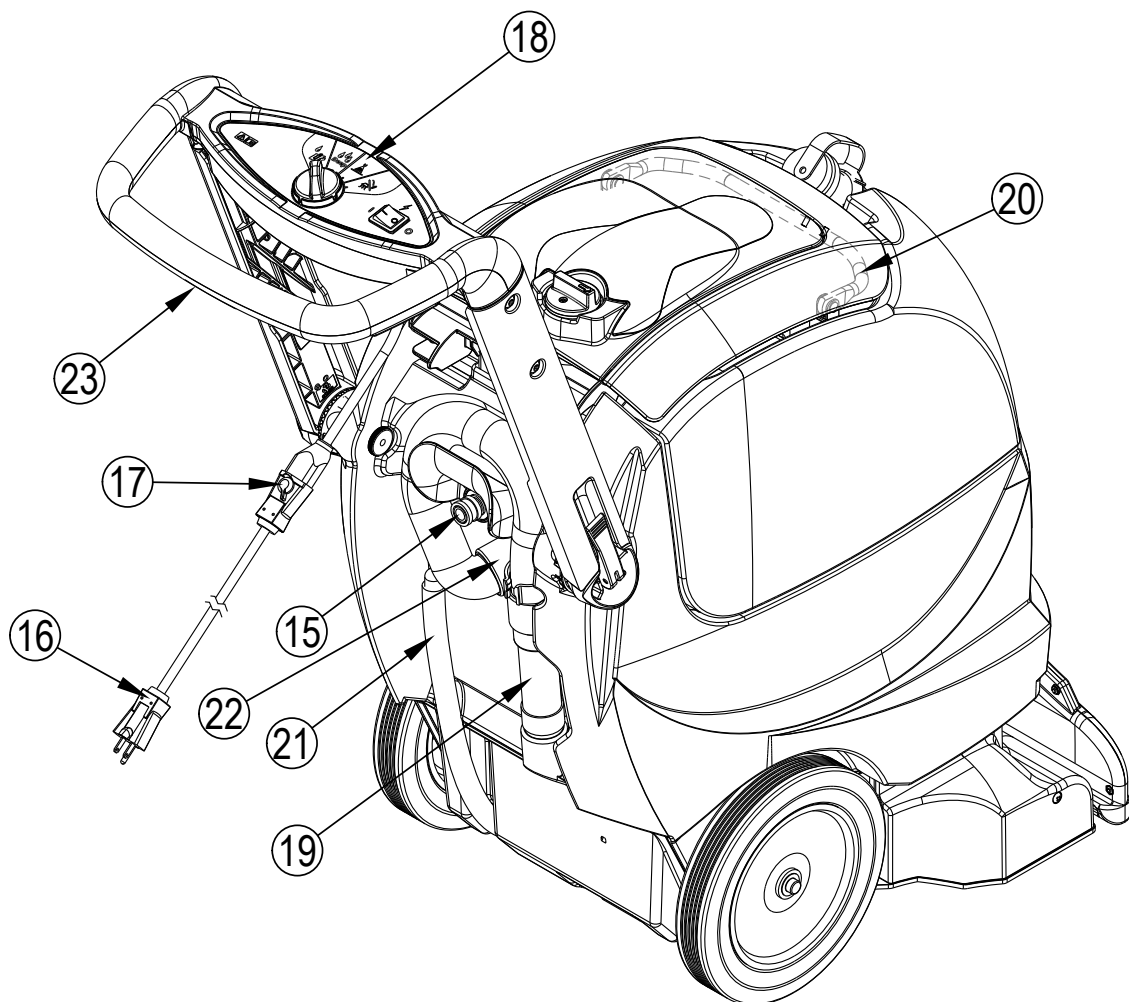
KNOW YOUR MACHINE – ES300

- | | | | |
|----|--|----|---------------------------|
| 1 | Solution Switch | 7 | Brush Storage Lift Lever |
| 2 | Pigtail Cord | 8 | Vacuum Shoe Release Lever |
| 3 | Vacuum Mode Selector Knob | 9 | Vacuum Shoe |
| 3a | Vacuum Shoe Mode | 10 | Solution Filter |
| 3b | Accessory Mode | 11 | Recovery Tank |
| 4 | Automatic Float Shut-Off | 12 | Recovery Tank Drain Hose |
| 5 | Handle Angle Adjust Release Levers (quantity of 2) | 13 | Recovery Tank Dome Lid |
| 6 | Solution Tank | 14 | Cord Retainer Strap |



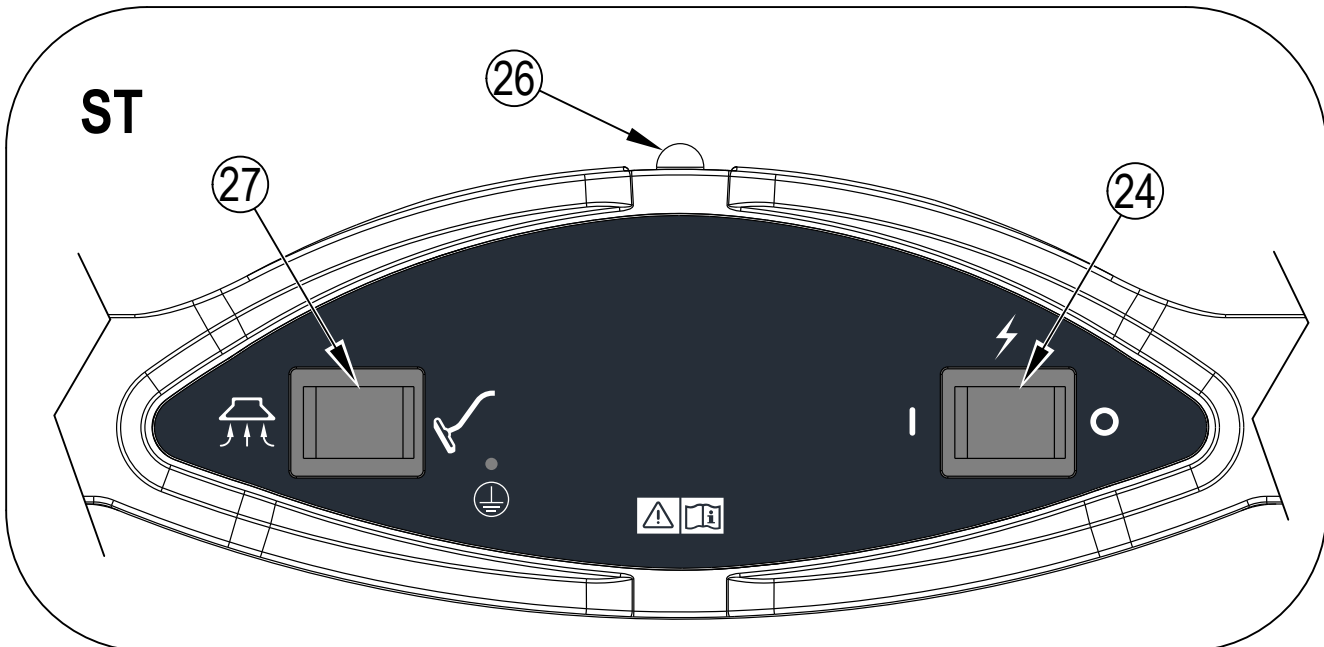
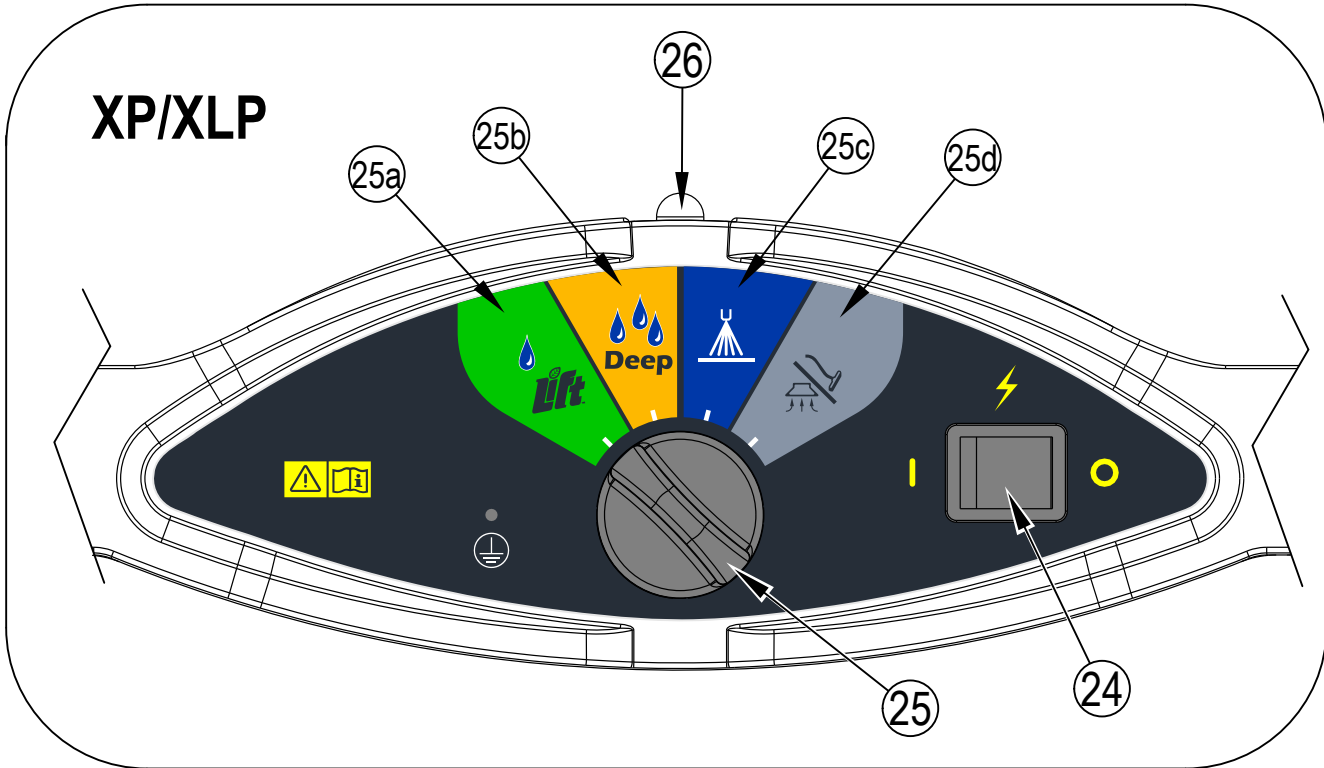
KNOW YOUR MACHINE – ES300

- 15 Accessory Solution Port
- 16 Power Cord
- 17 Power Cord Locking Mechanism
- 18 Control Panel
- 19 Hand Tool (Optional)
- 20 Recovery Tank Handle
- 21 Solution Drain Hose / Level Indicator
- 22 Accessory Vacuum Hose Port
- 23 Handle Assembly



KNOW YOUR CONTROL PANEL

- 24 Main Power Switch
- 25 Function Selector Knob
- 25a Lift Maintenance Mode
- 25b Deep Cleaning Restoration Mode
- 25c Pre-Spray Mode
- 25d Wand/Accessory Mode
- 26 Circuit Breaker 5 Amp
- 27 Vacuum Shoe / Accessory Switch (ST only)



PREPARING THE MACHINE FOR USE

FILLING THE SOLUTION TANK

- 1 Turn the power switch to off (O) and then unplug the machine.
- 2 Open the Recovery Tank Dome Lid (13). Use the Recovery Tank Handle (20) and lift the recovery tank from the machine then set it off to the side.
- 3 Read the dilution instructions on the detergent container. Then calculate the proper amount of detergent to mix with your machine's solution tank capacity of water; 9 Gallons (34 Liters) for ES300 or 12 Gallons (45 Liters) for ES400.

⚠ CAUTION!

Use low-sudsing, liquid detergents designed for carpet extraction.

- 4 **See Figure 4.** Pour the detergent into the solution tank and fill the tank with hot water (maximum temperature 54°C/130°F). Do not overfill the solution tank. The maximum fill point is when the solution level reaches the bottom of the lip on the tank opening (A).

NOTE: The Solution Tank has a built in Hose Holder (B) which can be used to secure the end of the hose while filling the tank.

- 5 Put the Recovery Tank back on the machine. Make sure the Recovery Tank is properly seated on the Solution Tank.
- 6 Place the Dome Lid (13) back down onto the recovery tank.

NOTE: The hoses (C1, C2 & C3) that connect to the dome lid attach by pushing the hose into the dome lid opening and turning 1/4 turn clockwise to lock in.

Hose C1 = Vacuum Shoe Hose

Hose C2 = Accessory (wand or hand tool) Hose

Hose C3 = Vacuum Motor Hose (Do Not allow water or foam to enter this hose)

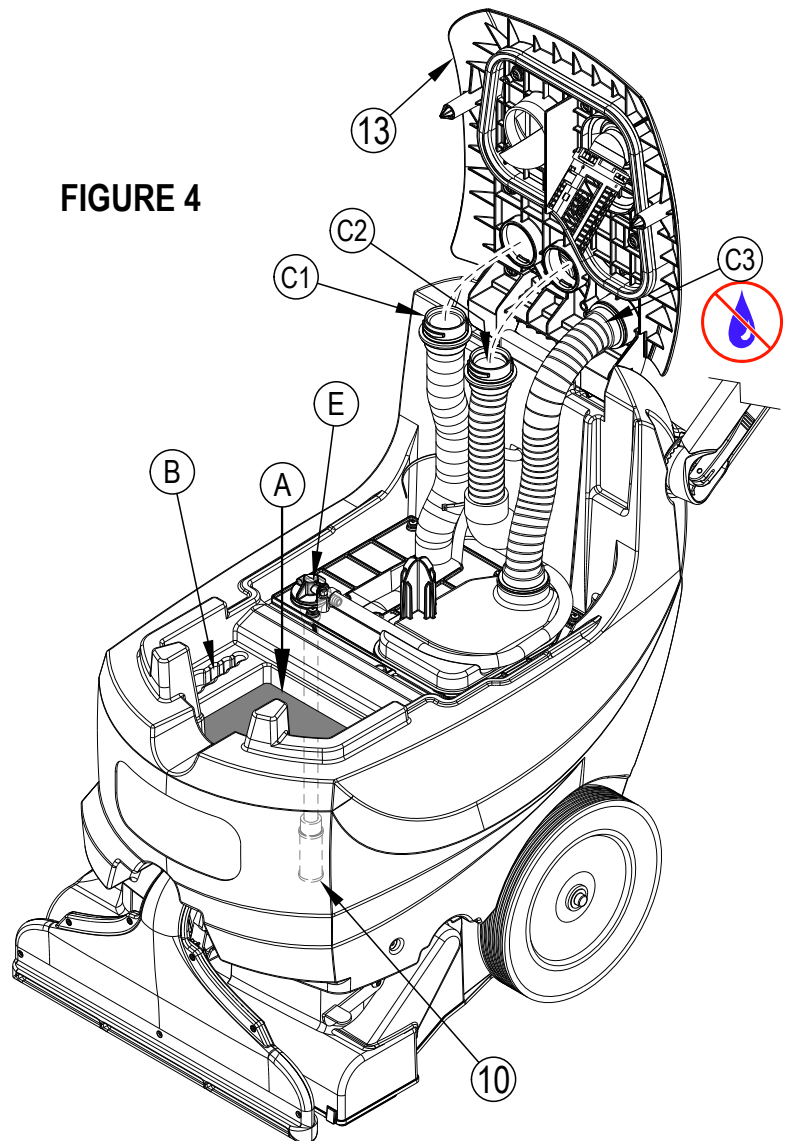


FIGURE 4

BEFORE USING THE MACHINE

Thoroughly vacuum the carpet to be cleaned before using the automatic extractor.

PRE-SPRAYING THE CARPET

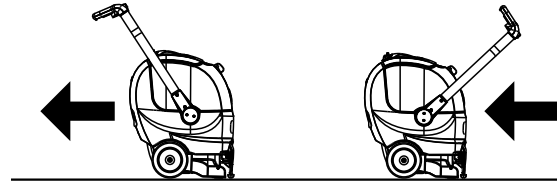
Pre-spray spots and heavy traffic areas before extracting. Use a hand-held bottle sprayer or a pressurized "Hudson" type sprayer. Mix the pre-spray according to the detergent manufacturer's directions. **NOTE:** ES400 XLP and ES300 XP models include a "Pre-Spray Mode" (25c) see *Operating the Machine* for instructions.

PLAN FOR CLEANING

Before you begin extracting, look at the area to be cleaned and plan your work. Divide the space into sections. Overlap each pass 2 inches (5 cm).

OPERATING THE MACHINE

- 1 Follow the instructions in the *Preparing the Machine for Use* section of this manual.
- 2 **See Figure 5.** Pull out the Handle Angle Adjust Release Lever (5) (quantity of 2 on ES300) to unlock the handle position. Adjust the handle height to the most comfortable position for the operator. Push in Lever(s) (5) to lock handle into position. **NOTE:** The ES400 model can be used in a walk-behind mode by rotating the handle to the vacuum shoe side and pushing rather than pulling the machine (Shown at right).



3 **XP / XLP Models:**

Pre-Spray Solution (dispensed while switch is held), brush (ON), vacuum (OFF).

-Rotate the Function Selector Knob (25) to Pre-Spray mode (25c).

Pre-Spray can be used to put down solution and agitate with the brush without vacuuming up the solution.

Extraction Solution (dispensed while switch is held), brush (ON), vacuum (ON).

-Rotate the Function Selector Knob (25) to either Maintenance (*Lift*) (25a) or Restoration (*Deep*) (25b) mode.

Lift Maintenance Mode (25a): Lower solution flow, recommended for frequent surface cleaning that requires faster dry time.

Deep Cleaning Restoration Mode (25b): Higher solution flow, recommended for less frequent deep cleaning.

ST Models:

Press the Vacuum Shoe / Accessory Switch (27) to the vacuum shoe position.

- 4 Unlock (press down) Brush Storage Lever (7) so that the brush is in contact with the floor.
- 5 Rotate the Vacuum Mode Selector Knob (3) to the Vacuum Shoe position (3a) for extracting. **NOTE:** The Knob (3) must be turned all the way until the two arrows are pointing at each other, to get a complete seal.
- 6 Plug the machine into a properly grounded outlet. Turn Main Power Switch (24) to the On (I) position to start the vacuum motor, solution pump and brush motor.
- 7 Continually hold the Solution Switch (1) to dispense solution. Once the Solution Switch (1) is released the solution flow will stop.
- 8 Begin cleaning by pulling the machine along in a straight line and overlap each pass by 2 inches (5 cm). Release the Solution Switch (1) prior to turns to ensure complete extraction of solution from carpet.
- 9 Watch the fluid entering the Recovery Tank Dome Lid (13). If there is a large amount of suds in the recovery tank, add a defoamer chemical to the recovery tank.

CAUTION!

Empty the recovery tank before the fluid or foam enters the vacuum motor.

If there is little or no fluid entering the recovery tank, check the Solution Drain Hose / Level Indicator (21), the solution tank may be empty. Refill the solution tank with water and the proper ratio of cleaning detergent.

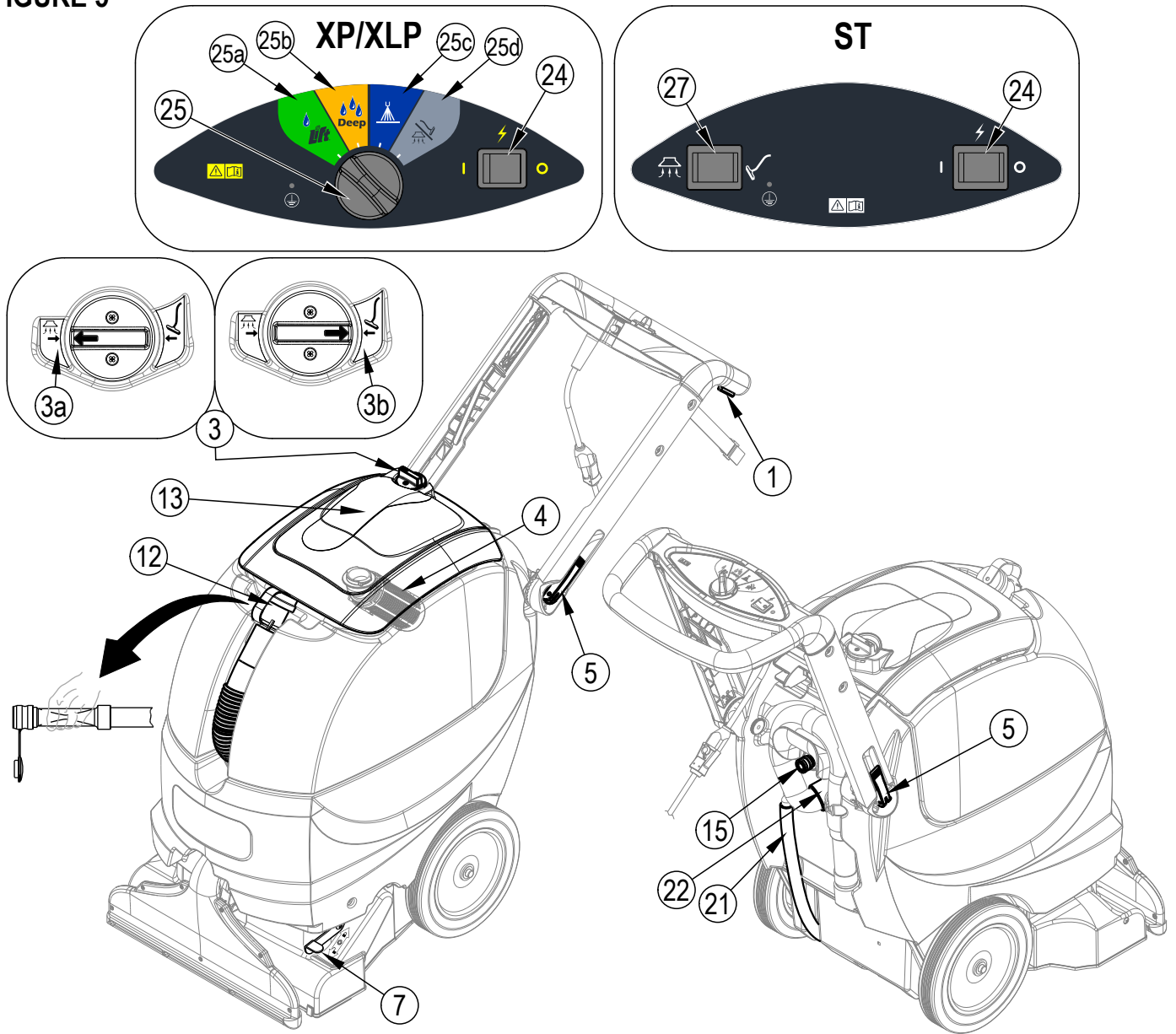
- 10 The recovery tank has an Automatic Float Shut-Off (4) to block the vacuum system when the recovery tank is full. You can tell when the float closes by the sudden change in the sound of the vacuum motor. When the float closes, the recovery tank must be emptied. The machine can continue to dispense solution, but **will not** pick up water with the float closed.
- 11 When the operator wants to stop cleaning or the recovery tank is full, release the Solution Switch (1). Then turn the main power switch Off (O) and unplug the machine. Lock (pull up) Brush Storage Lift Lever (7) to place the brush in the storage position.
- 12 Move the machine to a designated waste water "DISPOSAL SITE" and empty the recovery tank. To empty, pull the Recovery Tank Drain Hose (12) from its front storage hanger, then remove the plug (hold the end of the hose above the water level in the tank to avoid sudden, uncontrolled flow of waste water). Refill the solution tank and continue cleaning.

USING ATTACHMENTS

To use accessory tools:

- 1 Rotate the Vacuum Mode Selector Knob (3) to the Accessory position (3b) for attachments. **NOTE:** The Knob (3) must be turned all the way until the two arrows are pointing at each other, to get a complete seal.
- 2 Attach the accessory's recovery hose to the machine's Accessory Vacuum Port (22).
- 3 Attach the accessory's solution hose to the machine's Accessory Solution Port (15).
- 4 **XP / XLP Models:**
Rotate the Function Selector Knob (25) to Wand/Accessory Mode (25d).
ST Models:
Press the Vacuum Shoe / Accessory Switch (27) to the accessory position.
- 5 Press the Main Power Switch (24) to the On (I) position to activate the vacuum motor and solution pump. See your Advance Distributor for accessories that may be used with the ES300 / ES400.

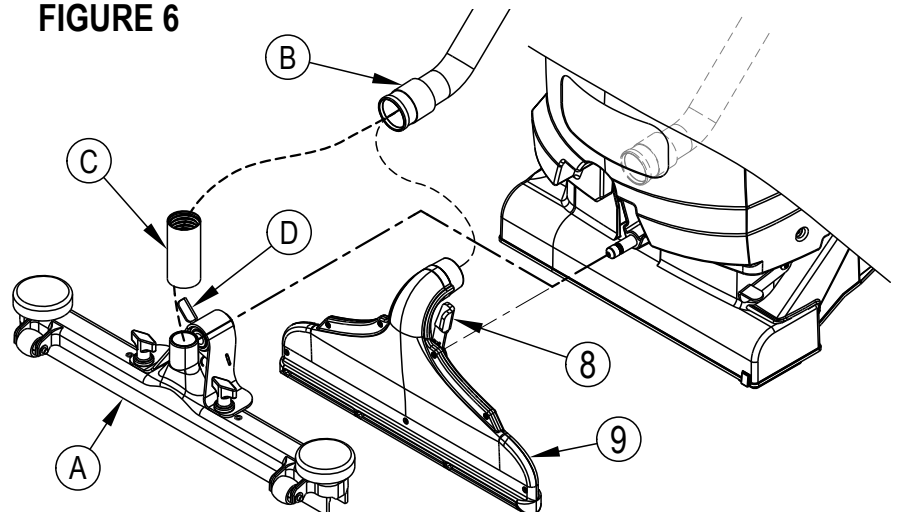
FIGURE 5



HARD FLOOR KITS

The vacuum shoe can be removed and replaced with an optional Squeegee Tool (A) for use on hard floors. See Figure 6. Push and hold in the Vacuum Shoe Release Lever (8) and slide the Vacuum Shoe (9) off of its mounting pin. Then disconnect the Recovery Hose (B) from the vacuum shoe and connect it to Hose Cuff (C) then Squeegee Tool (A). Attach the squeegee tool to the machine at the same mounting location used for the vacuum shoe, simply push the Release Lever (D) and slide the squeegee tool into place. **NOTE:** Hard floor applications can require the use of a different brush. Brush selector guide and part numbers can be found in the Parts List.

FIGURE 6



AFTER USING THE MACHINE

- 1 Turn the Power Switch OFF (O). Unplug the Power Cord (16). Coil the cord and hang it from the Cord Retainer Strap (14).
- 2 To empty the recovery tank, take the Recovery Drain Hose (12) off its hanger. Direct the hose to a designated waste water "DISPOSAL SITE" and remove the plug (hold the end of the hose above the water level in the tank to avoid sudden, uncontrolled flow of waste water). Rinse the tank with clean water. Inspect the recovery and drain hoses; replace if kinked or damaged.
- 3 To empty the solution tank, pull the Solution Drain Hose (21) off the elbow. Direct the hose to a designated waste water "DISPOSAL SITE". Rinse the tank with clean water. Inspect the solution hoses; replace if kinked or damaged.
- 4 Remove the brush, rinse with warm water and remove any built-up string, hair or carpet fibers.
- 5 Disconnect the Recovery Hoses C1 and C2 (See Figure 4) from the Recovery Tank Dome Lid (13) and flush with warm water to wash any debris out of the Recovery Hose and Vacuum Shoe. Do not flush hose C3 as this connects to the vacuum motor.
- 6 Wipe the machine with a damp cloth. Do not use abrasive chemicals or solvents.
- 7 Perform any required maintenance before storage. See *Maintenance Schedule*.
- 8 Store the machine indoors in a clean, dry place with the tank dome lid open. Keep from freezing.
- 9 Place the machine in the storage position. This will prevent the brush from taking a set which will increase the brush life and maintain the performance of the brush. Lift up on the Brush Lift Lever (7) until the lever locks into the up storage position.

MAINTENANCE SCHEDULE

MAINTENANCE ITEM	Daily	Weekly	Yearly
Check / Clean Power Brush	X		
Check / Clean Tanks & Hoses	X		
Check / Clean Vacuum Shut-Off Float	X		
Clean Vacuum Shoe	X		
Clean "Maintenance" Spray Nozzle		X	
Inspect & Clean Solution Filter		X	
*Flush a vinegar mixture through solution system			X
**Check Carbon Brushes			X

* Once a year or after 300 operating hours flush a white vinegar mixture (one quart vinegar to two gallons of water) through the machine. This will help prevent a build-up of alkaline residue in the solution system.

** Have an Advance service technician check the vacuum motor carbon brushes once a year or after 300 operating hours. The brush motor carbon brushes check every 500 hours or once a year.

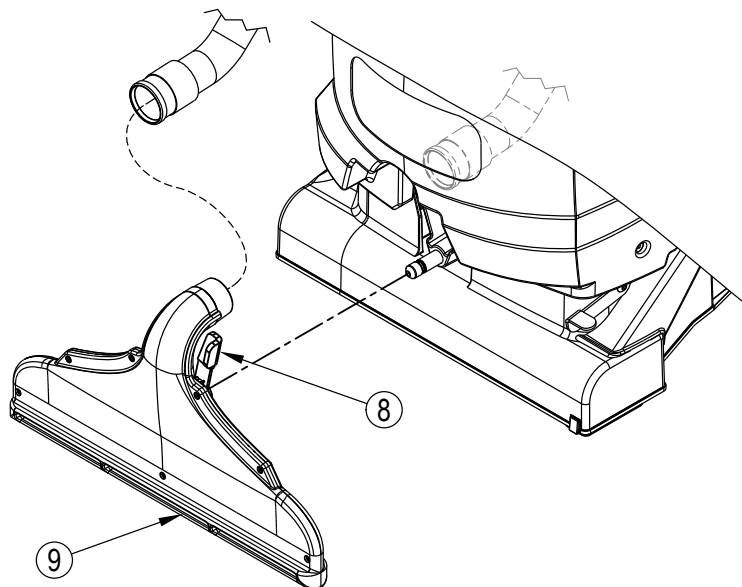
IMPORTANT!

Motor damage resulting from failure to service the carbon brushes is not covered under warranty. See the Limited Warranty Statement.

VACUUM SHOE MAINTENANCE

Check the vacuum shoe daily. Remove any built-up string, hair or carpet fibers. See Figure 7. Push and hold in the Vacuum Shoe Release Lever (8) and slide the Vacuum Shoe (9) off of its mounting pin. Then disconnect the recovery hose from the vacuum shoe.

FIGURE 7



SPRAY NOZZLE MAINTENANCE

Remove the Maintenance Spray Nozzle (A) once a week. See Figure 8. Turn the nozzle 1/4 turn counterclockwise to remove. Soak the nozzle overnight in vinegar to remove chemical deposits. Do not use pins, wire, or similar to clean nozzle as this could destroy spray pattern.

SOLUTION FILTER MAINTENANCE

Once a week (or more often if necessary), inspect and clean the Solution Filter (10). Drain the recovery and solution tanks. Lift the recovery tank from the machine and set it off to the side. See Figure 4. Keep the solution hose connected and turn the Filter Assembly (E) 1/4 turn counterclockwise to loosen. Pull the filter assembly straight up and out of the solution tank. Reinstall after cleaning by following steps in reverse order.

POWER CORD MAINTENANCE

Once a week (or more often if necessary), check the power cord for cracked or damaged insulation, exposed wires in the cord or plug, and damaged or missing ground pin. Replace damaged cord or plug **immediately**.

POWER BRUSH MAINTENANCE

Check the brush daily. Remove any built-up string, hair or carpet fibers. When the machine is not in use it should be placed in the storage position. This will prevent the brush from taking a set which will increase the brush life and maintain the performance of the brush.

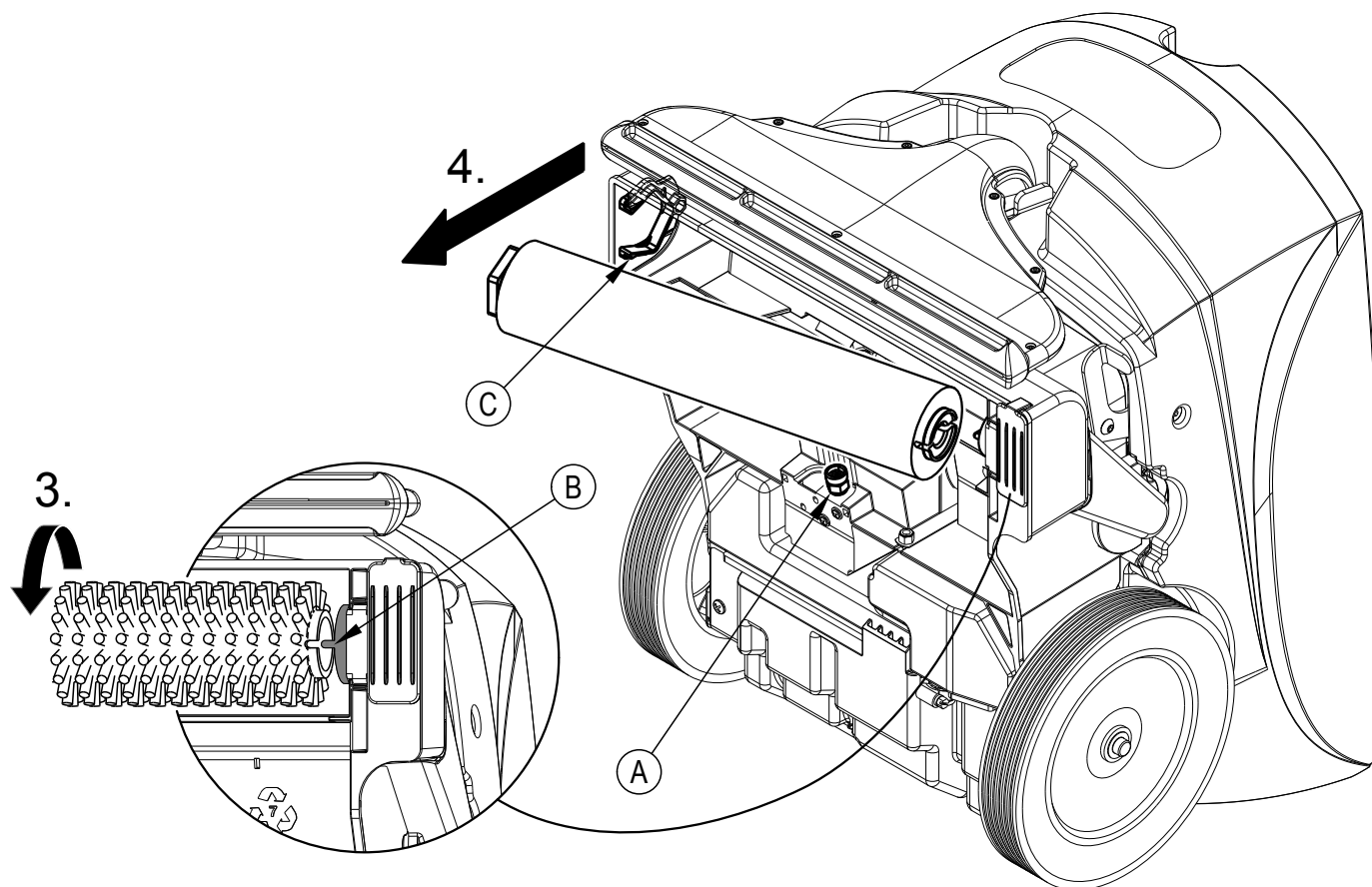
REMOVING THE BRUSH

⚠ CAUTION!

Turn the power switch off (O) and unplug the machine, before changing the brushes.

- 1 Empty both the recovery and solution tanks. Open the recovery tank dome lid. Lift the recovery tank from the machine and set it off to the side.
- 2 Place the Handle Assembly (23) into a vertical position and tip the machine over onto its back.
- 3 See Figure 8. Rotate the brush until the Drive Lug (B) is in a position where the fins on the drive lug are parallel to the floor.
- 4 Grab the brush at the end with the Brush Retainer Clip (C) and pull straight out.
- 5 Install a new brush at the drive lug end first then push in the other brush end in until it snaps into the retainer clip.

FIGURE 8



TROUBLESHOOTING

If the possible causes listed below are not the source of trouble, it is a symptom of something more serious. Contact your Advance Service Center immediately for service.

TRIPPING THE CIRCUIT BREAKER

The Circuit Breaker **(26)** is located on the Control Panel; it protects the electrical circuit and brush motor from damage due to overload conditions. If the circuit breaker is tripped try to determine the cause.

Brush Circuit Breaker (5 Amp) Possible cause may be:

- 1 Debris wrapped around the brush drive (remove debris)
- 2 Electrical short circuit (have your Advance Service Center or qualified electrician check the machine)

Once the problem has been corrected, push the button in to reset the circuit breaker. If the button does not stay in, wait 5 minutes and try again. If the circuit breaker trips repeatedly, call your Advance Service Center for service.

POOR WATER PICKUP

Possible causes may be:

- 1 Vacuum Mode Selector Knob **(3)** is set to the wrong mode or not properly seated (rotate knob fully to align with arrow icon)
- 2 Recovery Tank Full (empty recovery tank)
- 3 Function Selector Knob **(25)** is in Pre-Spray **(25c)** or Wand/Accessory Mode **(25d)** in which the vacuum motor is off (turn knob to one of the extraction positions **(25a)** or **(25b)**)
- 4 Open recovery tank drain hose (secure drain hose cap or replace)
- 5 Recovery hose not connected at vacuum shoe (connect hose to vacuum shoe)
- 6 Recovery hoses not connected to the correct ports in the dome lid (connect hoses to correct ports)
- 7 Recovery hose is kinked or damaged (replace the hose)
- 8 Debris caught in vacuum shoe, mode selector paddle or recovery hose (clean vacuum shoe, mode selector and recovery hose)
- 9 Recovery tank dome lid gasket leak (replace gasket)
- 10 Seal on mode selector paddle is worn or missing (replace seal)

INADEQUATE SOLUTION FLOW

Possible causes may be:

- 1 Solution tank empty (fill solution tank)
- 2 Solution lines or solution filter clogged (flush lines and filter)
- 3 Solution line not connected to filter assembly (connect solution line)
- 4 Spray nozzle is plugged (clean spray nozzle)

FUNCTION SELECTOR KNOB MATRIX (ES300 XP & ES400 XLP)

The following matrix shows which functions are active "X" for each position of Function Selector Knob **(25)**. This can be useful for troubleshooting.




Position (25a)	Position (25b)	Position (25c)	Position (25d)	Machine Function
X	X		X	Vacuum
	X	X		Solution (Restore Nozzle)
X				Solution (Maintenance Nozzle)
X	X	X		Brush

ACCESSORIES / OPTIONS

In addition to the standard components, the machine can be equipped with the following accessories/options, according to the machine's specific use.

- Brushes with harder or softer bristles
- Upholstery hand tool
- Different wand and hose options

TECHNICAL SPECIFICATIONS (as installed and tested on the unit)

Model		Advance ES400 XLP	Advance ES300 XP	Advance ES300 ST
Model No.		56265501	56265500	56265502
Voltage/frequency	V/Hz	120 / 50-60	120 / 50-60	120 / 50-60
Rated Current	Amp	14.9	14.5	14.5
Protection Class (electrical)				
Protection Grade		--	--	--
Sound Pressure Level IEC 60335-2-72: 2002 Amend. 1:2005, ISO 11201	dB(A)/20 μ Pa	68	68	68
Sound Pressure level - KpA (IEC 60335-2-72, ISO 11201) Uncertainty	dB(A)	3	3	3
Vibrations at the Hand Controls (ISO 5349-1)	m/s ²	1.8	1.8	1.8
Vibrations at the Hand Controls (ISO 5349-1) Uncertainty	m/s ²	0.2	0.2	0.2
Machine Width	inch / cm	22.75 / 57.7	19.25 / 48.9	19.25 / 48.9
Minimum machine height with adjustable handlebar	inch / cm	35.25 / 81.9	32 / 81.3	32 / 81.3
Maximum machine height with adjustable handlebar	inch / cm	56.5 / 143.5	46.5 / 118	46.5 / 118
Minimum machine length with adjustable handlebar	inch / cm	29.25 / 74.3	28 / 71.1	28 / 71.1
Maximum machine length with adjustable handlebar	inch / cm	51 / 129.5	48.25 / 122.5	48.25 / 122.5
Solution Tank Capacity	Gallon / L	12 / 45	9 / 34	9 / 34
Recovery Tank Capacity	Gallon / L	12 / 45	7 / 26	7 / 26
Gross Weight*	lbs/kg	118 / 53.5	106 / 48	102 / 46.3

Material Composition and Recyclability

Type	% of machine weight	% recyclable
Aluminum	5%	100%
Electrical / motors / engines - misc	23%	39%
Ferrous metals	3%	100%
Harnesses / cables	1%	83%
Liquids	0%	0%
Plastic - non-recyclable	10%	0%
Plastic - recyclable	10%	100%
Polyethylene	42%	90%
Rubber	7%	33%

ÍNDICE**Página**

Introducción	B-3
Partes y Servicio.....	B-3
Placa nominal.....	B-3
Desempacar la máquina.....	B-3
Precauciones y advertencias.....	B-4
Instrucciones de aterrizaje.....	B-5
Conozca su máquina – ES400™	B-6 – B-7
Conozca su máquina – ES300™	B-8 – B-9
Conozca su panel de control	B-10
Preparación de la máquina para su uso	
El llenado del tanque de solución.....	B-11
Antes de usarla.....	B-11
Pre-aspersión de la alfombra.....	B-11
Plan para la limpieza.....	B-11
Operación	
La operación de la máquina.....	B-12 – B-13
Uso de los anexos.....	B-12 – B-13
Juegos para piso duro.....	B-13
Después del uso	
Después de usar la máquina.....	B-14
Mantenimiento	
Programa de mantenimiento.....	B-14
Mantenimiento de la zapata aspiradora.....	B-14
Mantenimiento de la boquilla de aspersión.....	B-15
Mantenimiento del cable de alimentación.....	B-15
Mantenimiento de la escobilla de alimentación.....	B-15
Cómo quitar la escobilla.....	B-15
Solución de problemas.....	B-16
Accesorios / Opciones.....	B-17
Especificaciones técnicas.....	B-17

INTRODUCCIÓN

Este manual le ayudará a sacar el mayor provecho de su aspiradora extractora de alfombras Advance™. Léalo todo antes de operar la máquina.

Este producto está previsto solo para servicio comercial.

PARTES Y SERVICIO

De requerirse reparaciones, estas las debe hacer el Centro de servicio autorizado de Advance de su localidad, que emplea personal de servicio capacitado y mantiene un inventario de refacciones y accesorios originales de Advance.

MODIFICACIONES

Las modificaciones y adiciones que afecten la capacidad y operación segura de la lavadora no deberá hacerlas ni el cliente ni el usuario sin previa autorización por escrito de parte de Nilfisk Inc. Si se hacen modificaciones sin aprobación, la garantía quedará invalidada y el cliente será responsable de cualquier accidente que resulte.

PLACA NOMINAL

El Número de modelo (también conocido como Número de parte) y Número de serie de su máquina se encuentran en la Placa nominal, localizada en la base trasera de la máquina. Al pedir refacciones para reparaciones de la máquina necesitará esta información. Use el espacio siguiente para anotar el Número de Parte y Número de serie de su máquina para futura referencia.

Núm. de Parte _____

Núm. de Serie _____

DESEMPACADO DE LA MÁQUINA

Cuando se le entregue la máquina revise con cuidado si el embalaje del flete o la máquina tienen daños. Si hay señales de daños, guarde el embalaje del flete para que pueda ser revisado. Contacte de inmediato al Departamento de servicio al cliente de Advance para presentar un reclamo por daños durante el embarque.

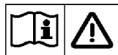
¡ADVERTENCIA!

Los productos que se venden junto con este Manual contienen o pueden contener sustancias químicas que algunos gobiernos identifican (por ej. el Estado de California, como lo identifica su Propuesta 65 de Ley de Advertencia Normativa (*Proposition 65 Regulatory Warning Law*)) como causantes de cáncer, defectos de nacimiento u otros daños reproductivos. En algunos lugares (Incluyendo el Estado de California) los compradores de estos Productos -que los ponen en servicio en el sitio de trabajo o un lugar de acceso público-, están obligados por ley a hacer ciertos avisos acerca de los productos químicos que contienen o pueden contener los Productos en dichos sitios de trabajo o cerca de ellos. Es responsabilidad del comprador conocer el contenido de cualquier ley y normatividad aplicable, así como de su cumplimiento, en cuanto al uso de estos Productos en dichos ambientes. El Fabricante no es responsable de aconsejar a los compradores acerca cualesquiera requisitos específicos que pudieren ser aplicables al uso de los Productos en dichos ambientes.

INSTRUCCIONES IMPORTANTES DE SEGURIDAD

Esta máquina solo es adecuada para servicio comercial, por ejemplo en hoteles, escuelas, hospitales, tiendas y oficinas. No es para un servicio normal de limpieza residencial.

Al usar un aparato eléctrico siempre se deben tener precauciones básicas, incluyendo las siguientes:



Lea todas las instrucciones antes de usar este aparato.

¡ADVERTENCIA!

Para reducir el riesgo de incendio, descargas eléctricas o lesiones:

- No se aleje del aparato si está conectado. Cuando no use la unidad, o antes de darle servicio, desconéctela de la toma de corriente.
- Para evitar descargas eléctricas no la exponga a la lluvia. Guárdela en interiores.
- Esta máquina no está pensada para ser usada por personas con capacidades limitadas tanto físicas como sensoriales o mentales, ni aquellos sin la experiencia y conocimientos necesarios. Esto incluye a los niños.
- No permita que se use como un juguete. Cuando se use cerca de niños hay que prestar mucha atención.
- Úsela solo como lo indica este manual. Use solo los aditamentos recomendados por el fabricante.
- No la use con un cable o clavija dañados. Si el aparato no funciona como debería, o si se le ha dejado caer, se ha dañado, se ha dejado a la intemperie o si ha caído en el agua, debe ser devuelto a un centro de servicio.
- No lo jale ni lo conduzca con el cable. No use el cable como asa, ni tampoco machuque el cable con puertas ni roce el cable contra bordes agudos o filos. No pise el cable con el aparato. Mantenga el cable lejos de superficies calientes.
- No lo desconecte jalándolo del cable. Para desconectarlo, coja la clavija, no el cable.
- No coja la clavija, ni el cable o el aparato con las manos mojadas.
- No meta ningún objeto dentro de las aberturas. No lo use si cualquier abertura está tapada. Manténgalo libre de polvo, pelusas, pelo y cualquier cosa que reduzca el flujo de aire.
- Mantenga la ropa suelta, el pelo, los dedos y todas las partes del cuerpo lejos de todas las aberturas y partes en movimiento.
- No recoja objetos en llamas o que echen humo, como los cigarrillos, cerillos o cenizas calientes, ni cualquier polvo dañino para la salud.
- Apague todos los controles antes de desconectarlo.
- Tenga especial cuidado al limpiar escaleras.
- No lo use para aspirar líquidos inflamables o combustibles, como gasolina. Tampoco lo use en áreas donde pueda haber este tipo de líquidos.
- Si sale espuma o líquido por la salida de la aspiradora, apáguela de inmediato. Confirme que no haya objetos extraños que obstruyan el libre movimiento de la bola del flotador. Si el problema persiste contacte a Advance.
- El líquido eyectado por la boquilla de aspersión podría ser peligroso debido a su temperatura, presión, o su contenido químico.
- Únicamente use las escobillas suministradas con el aparato o las especificadas en este manual de instrucciones. Si usa otras escobillas puede impedir la seguridad.

GUARDE ESTAS INSTRUCCIONES

INSTRUCCIONES DE ATERRIZAJE DE 120 VCC

Este aparato debe estar aterrizado. En caso de un desperfecto eléctrico, el aterrizaje facilita una ruta de menor resistencia para la corriente eléctrica, para así reducir el riesgo de una descarga eléctrica. Este aparato está equipado con un cable que tiene un conductor aterrizado y clavija con aterrizaje. La clavija debe enchufarse a una salida adecuada provista de un aterrizaje que cumpla con todos los códigos y ordenanzas locales.

⚠ ¡PELIGRO!

Si el conductor con aterrizaje no está instalado correctamente, esto puede ser un riesgo de descarga eléctrica. Si tiene dudas de que la salida esté aterrizada correctamente, revise con un electricista calificado o un técnico de servicio. No altere la clavija suministrada con el aparato. Si no encaja en la salida, haga que un electricista calificado instale la salida eléctrica correcta.

Este aparato está diseñado para ser usado en circuitos nominales de 120 voltios y tiene una clavija aterrizada que se parece a la clavija de la Figura 1 abajo. Si no se tiene una salida correctamente aterrizada, se puede usar un adaptador temporal como el de las Figuras 2 y 3 para conectar esta clavija a una salida con receptáculo de 2 polos, como se ve en la Figura 2. El adaptador temporal debe usarse solo hasta que un electricista calificado instale una salida bien aterrizada (Figura 1). La oreja rígida, pestaña o parte similar de color verde que sale del adaptador se debe conectar a una tierra permanente como una salida eléctrica de caja con tapa debidamente aterrizada. Cada vez que se usa el adaptador, se le debe mantener en su sitio con un tornillo metálico.

Los adaptadores de aterrizaje no están aprobados en Canadá.

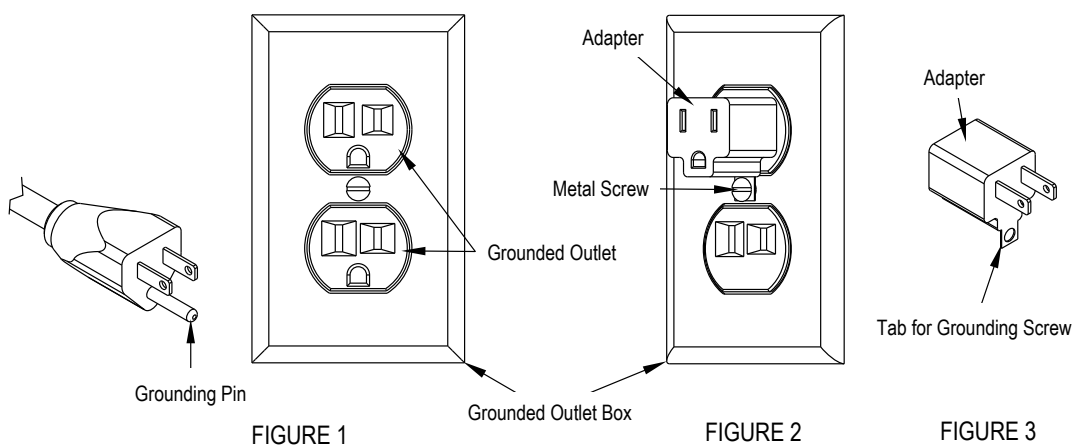
Si la pata de aterrizaje está dañado o roto, reemplace la clavija.

El alambre Verde (o Verde/Amarillo) del cable es el alambre de tierra. Al reemplazar una clavija, este alambre debe fijarse únicamente a la pata de aterrizaje.

La extensiones eléctricas conectadas a esta máquina deben ser cables tres alambres de 2.5mm² (12 AWG), con clavijas y enchufes (machos y hembras) de tres patas. NO USE extensiones eléctricas de más de 15 M (50ft) de largo.

⚠ ¡ADVERTENCIA!

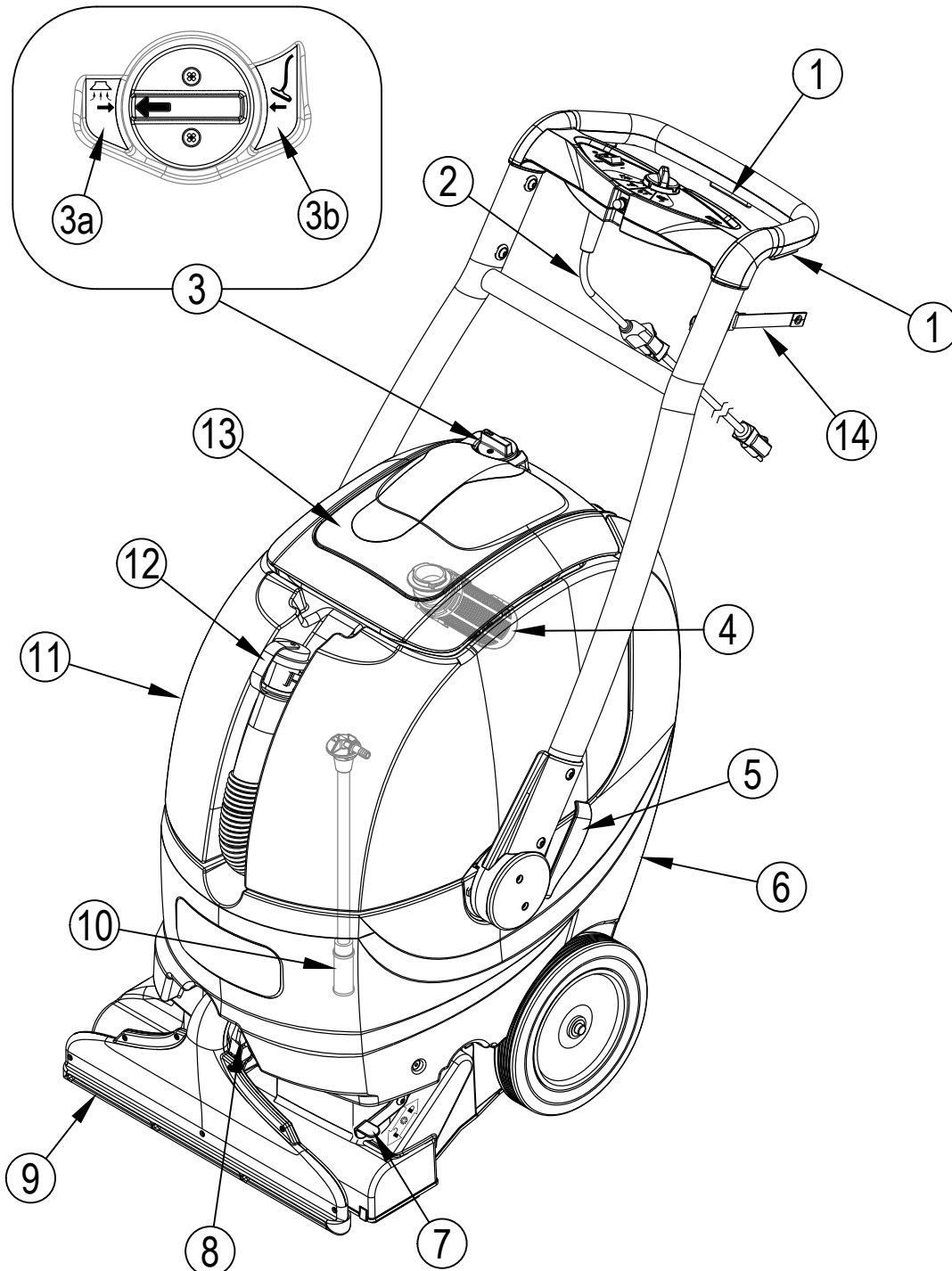
- Si se usa una extensión eléctrica, la clavija y el receptáculo debe ser de hechura hermética.
- Las extensiones eléctricas inadecuadas pueden ser peligrosas.



ADVIERTA LO SIGUIENTE: SOLO PARA PARTES DE NORTEAMÉRICA. NO ESTÁ APROBADO EN CANADÁ.

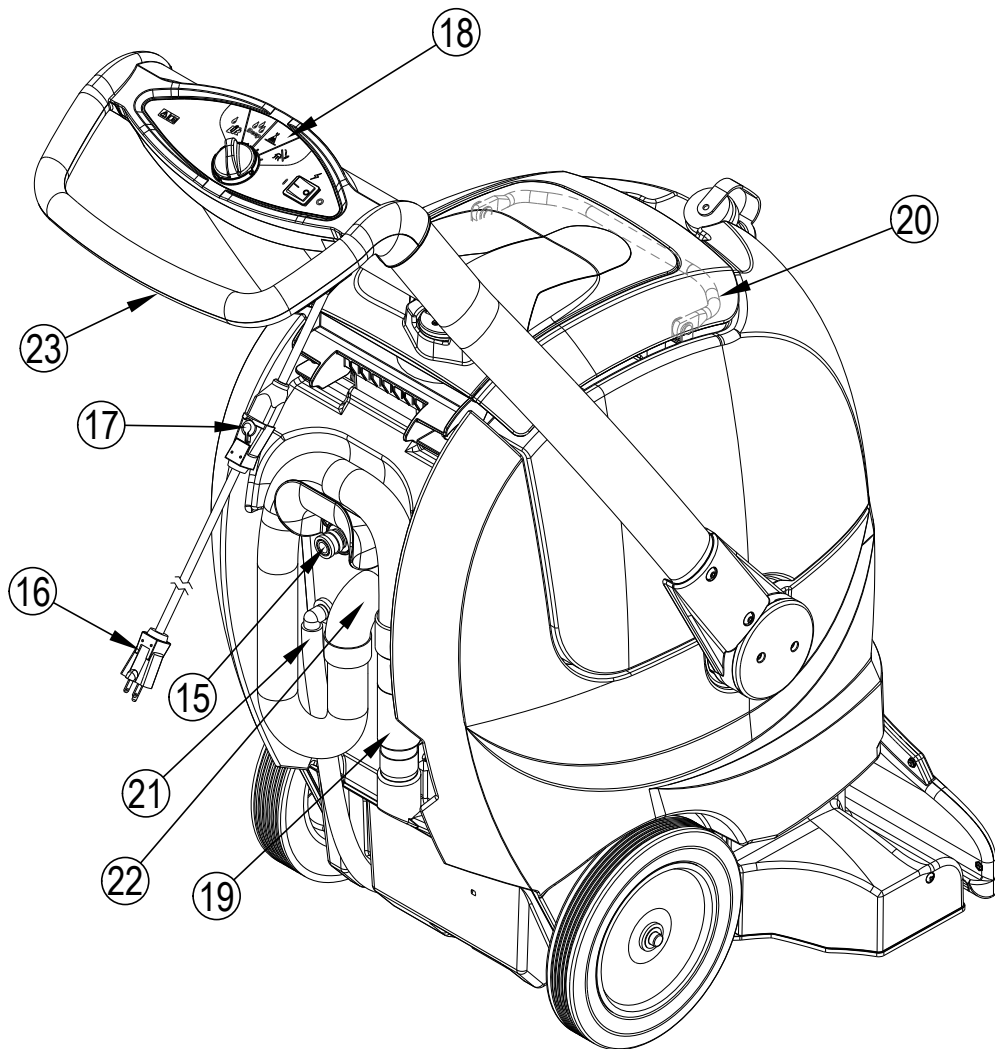
CONOZCA SU MÁQUINA: ES400

- | | | | |
|----|--|----|---|
| 1 | Interruptores de solución (cantidad 3) | 7 | Palanca para guardar la escobilla |
| 2 | Cable espiral | 8 | Palanca para soltar la zapata aspiradora |
| 3 | Perilla selectora de modo de aspirado | 9 | Zapata aspiradora |
| 3a | Modo de zapata aspiradora | 10 | Filtro de solución |
| 3b | Modo accesorio | 11 | Tanque de recuperación |
| 4 | Cierre automático del flotador | 12 | Manguera de drenado del tanque de recuperación. |
| 5 | Palanca para soltar el ajuste del ángulo del asa | 13 | Tapa de domo del tanque de recuperación. |
| 6 | Tanque de solución | 14 | Tira del retén del cable |



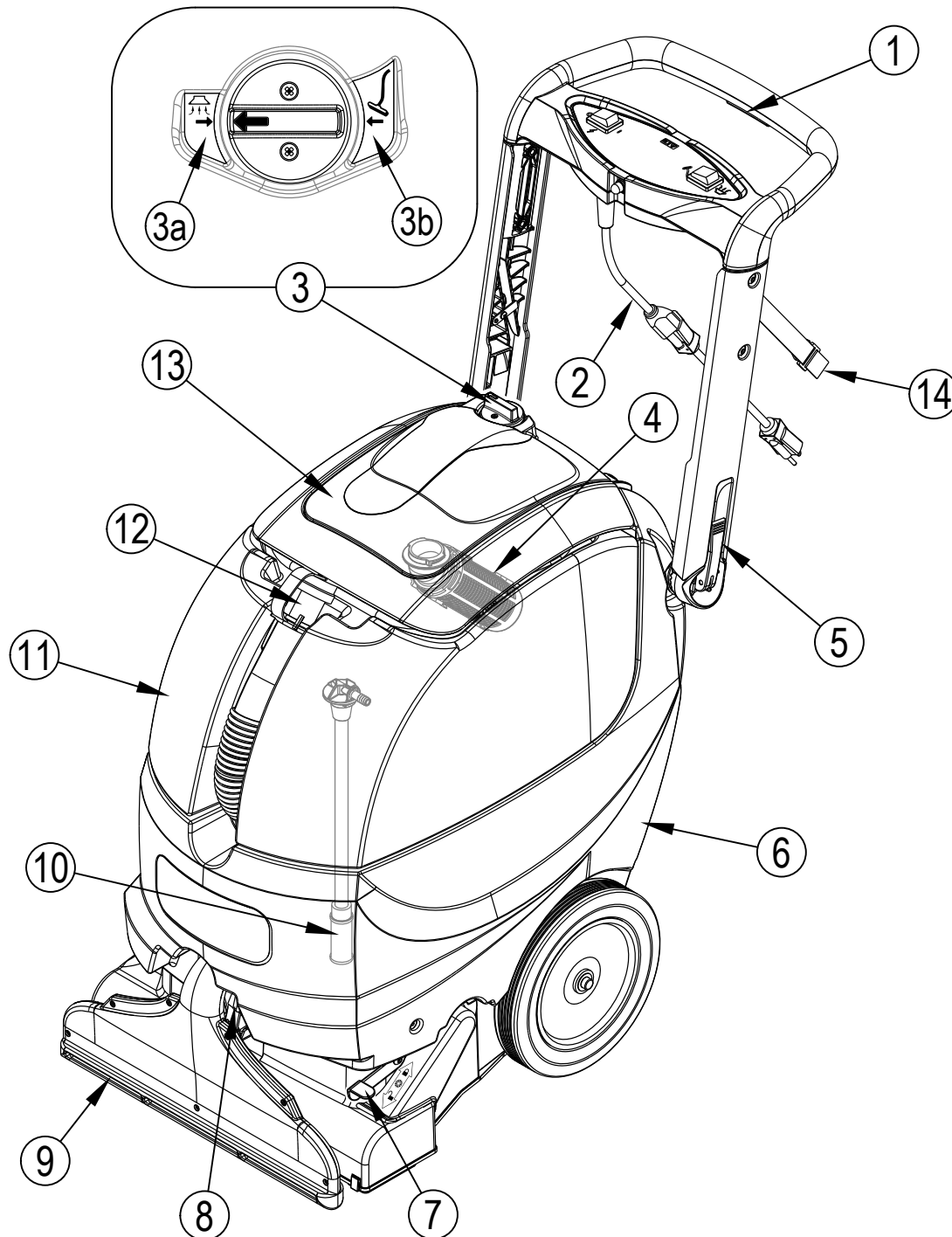
CONOZCA SU MÁQUINA: ES400

- 15 Puerto accesorio de solución
- 16 Cable de alimentación
- 17 Mecanismo de seguro del cable de alimentación
- 18 Panel de Control
- 19 Herramienta de mano (Opcional)
- 20 Asa del tanque de recuperación
- 21 Manguera de drenado de solución / Indicador de nivel
- 22 Puerto de la manguera de aspiradora accesoria
- 23 Conjunto del asa



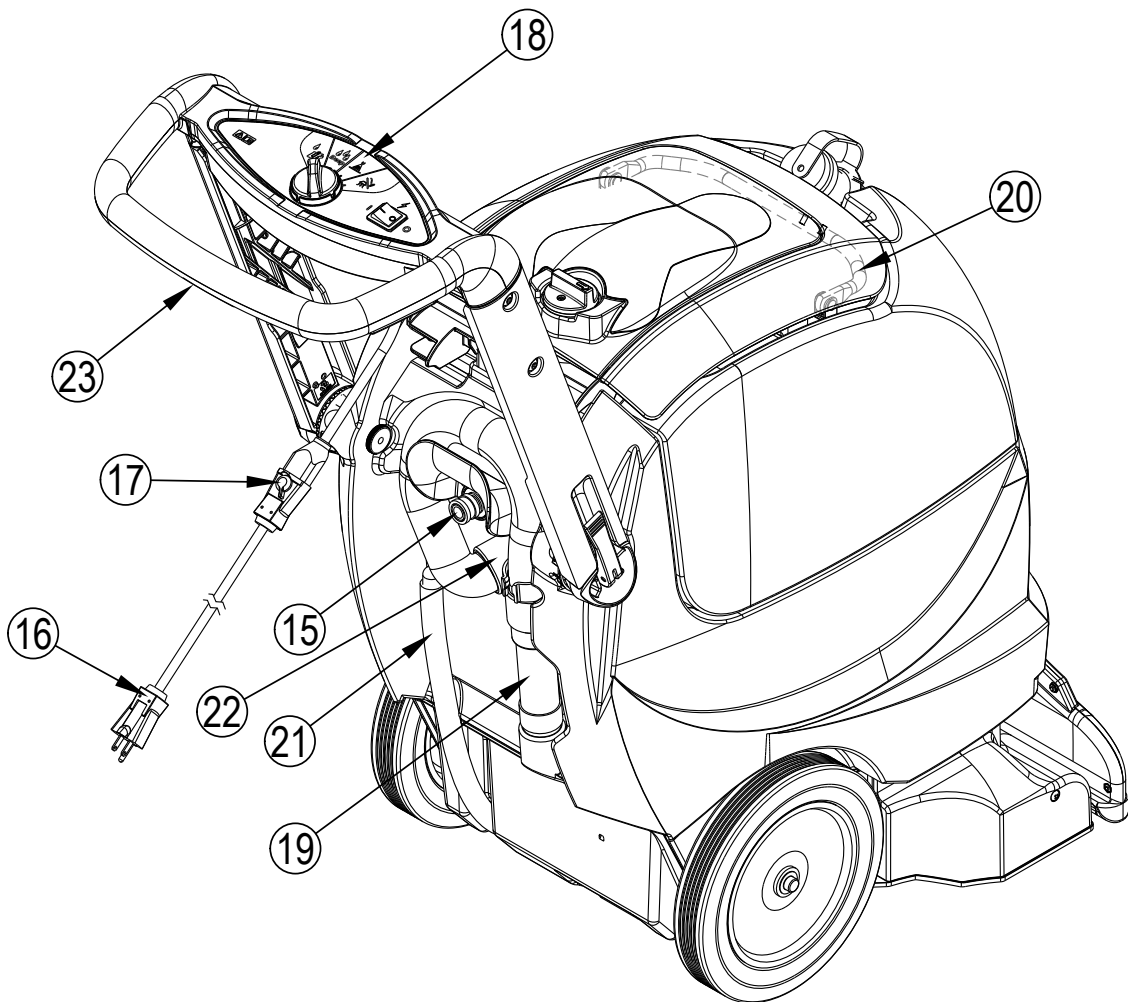
CONOZCA SU MÁQUINA: ES300

- | | | | |
|----|--|----|---|
| 1 | Interruptor de solución | 7 | Palanca para guardar la escobilla |
| 2 | Cable espiral | 8 | Palanca para soltar la zapata aspiradora |
| 3 | Perilla selectora de modo de aspirado | 9 | Zapata aspiradora |
| 3a | Modo de zapata aspiradora | 10 | Filtro de solución |
| 3b | Modo accesorio | 11 | Tanque de recuperación |
| 4 | Cierre automático del flotador | 12 | Manguera de drenado del tanque de recuperación. |
| 5 | Palancas (Cantidad 2) para soltar el ajuste del ángulo del asa | 13 | Tapa de domo del tanque de recuperación. |
| 6 | Tanque de solución | 14 | Tira del retén del cable |



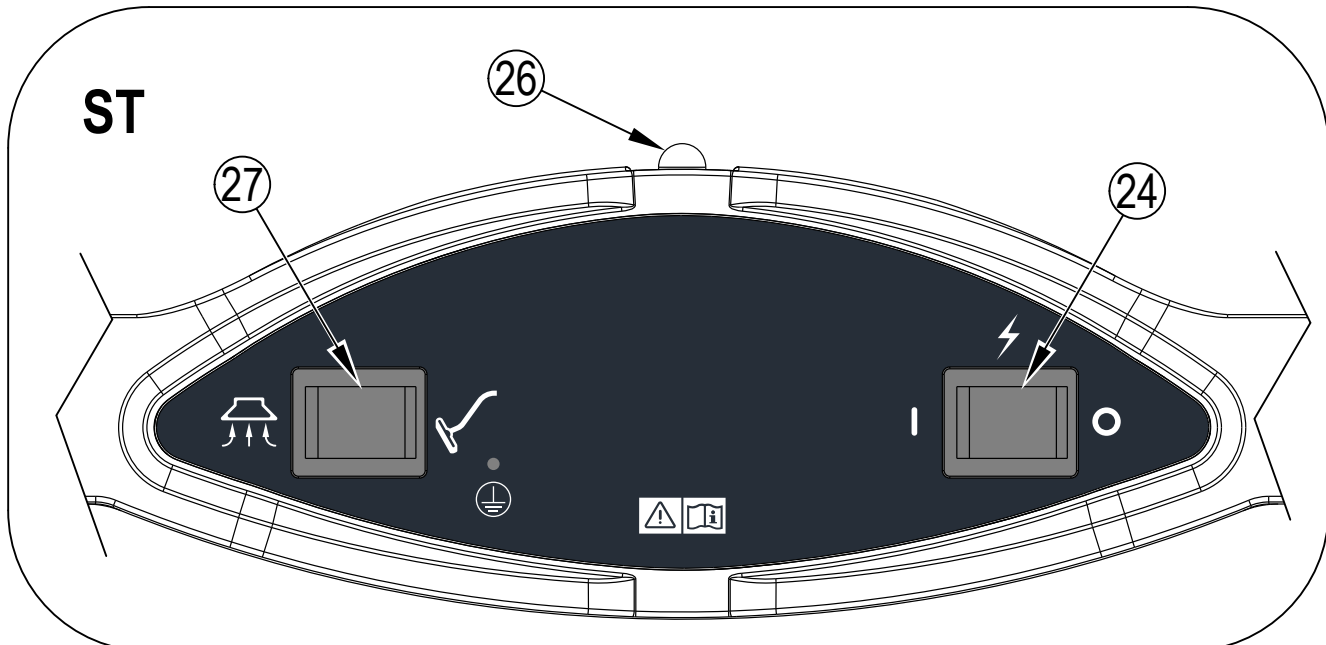
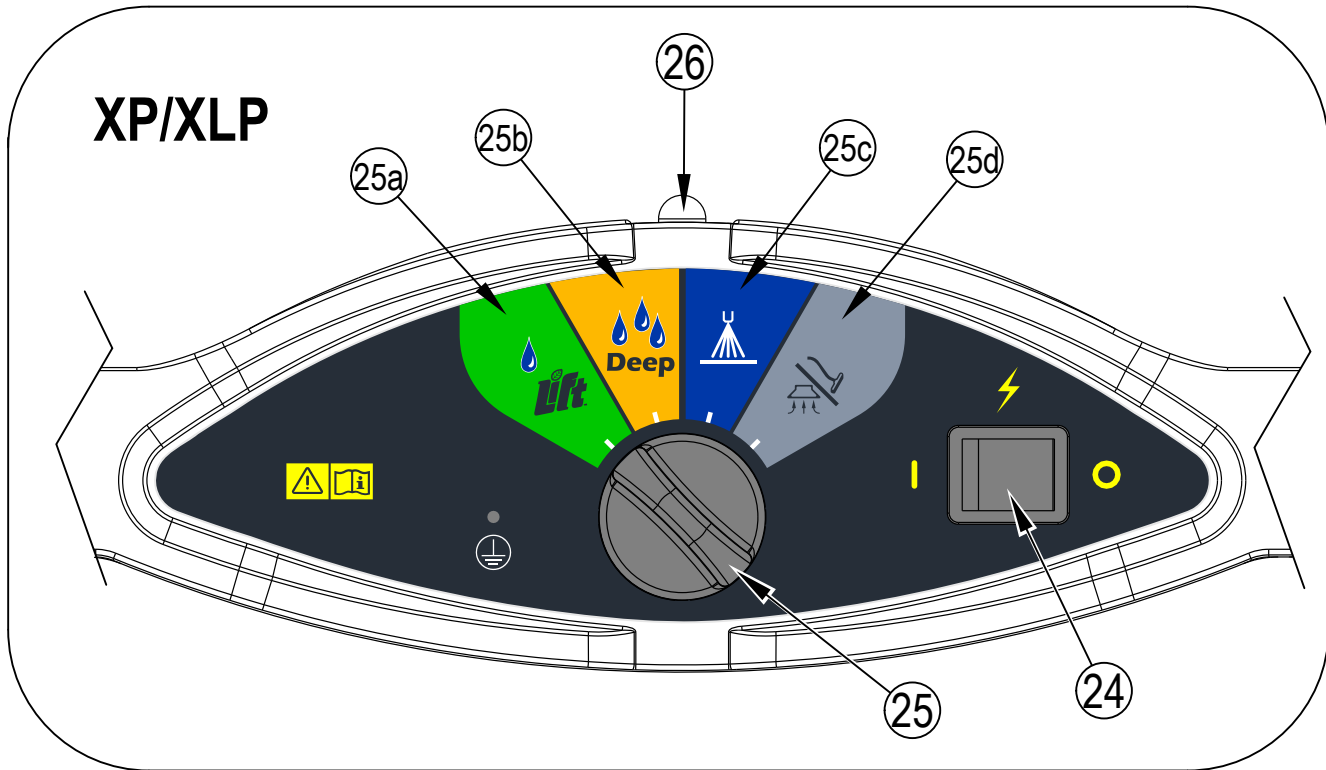
CONOZCA SU MÁQUINA: ES300

- 15 Puerto accesorio de solución
- 16 Cable de alimentación
- 17 Mecanismo de seguro del cable de alimentación
- 18 Panel de Control
- 19 Herramienta de mano (Opcional)
- 20 Asa del tanque de recuperación
- 21 Manguera de drenado de solución / Indicador de nivel
- 22 Puerto de la manguera de aspiradora accesoria
- 23 Conjunto del asa



CONOZCA SU PANEL DE CONTROL

- 24 Interruptor principal
- 25 Perilla selectora de función
- 25a Modo de mantenimiento Lift.
- 25b Modo de restauración de limpieza profunda
- 25c Modo de pre-aspersión
- 25d Modo de Accesorio/Varita
- 26 Cortacircuitos de 5 Amp
- 27 Zapata aspiradora / Interruptor de accesorios (solo ST)



PREPARACIÓN DE LA MÁQUINA PARA SU USO

LLENADO DEL TANQUE DE SOLUCIÓN

- 1 Apague el interruptor de potencia en Off (O) y luego desconecte la máquina.
- 2 Abra la tapa de domo del tanque de recuperación (13). Use el asa del tanque de recuperación (20) y eleve el tanque de recuperación de la máquina y luego póngalo a un lado.
- 3 Lea las instrucciones de disolución en el recipiente del detergente. Luego calcule la cantidad correcta de detergente a mezclar con la cantidad de agua del tanque de solución de su máquina; 9 galones (34 litros) para la ES300 o 12 galones (45 litros) para la ES400.

⚠ ¡PRECAUCIÓN!

Use detergentes líquidos de poca espuma, diseñados para aspiración por extracción de alfombras.

- 4 **Vea la Figura 4.** Vierta el detergente en el tanque de solución y llénelo de agua caliente (la temperatura máxima es 54°C/130°F). No llene de más el tanque. El nivel máximo de llenado es cuando la solución llega al fondo del borde de la abertura del tanque (A).

NOTA: El Tanque de solución está provisto de un Porta manguera (B) interconstruido, que se puede usar para fijar el extremo de la manguera al llenar el tanque.

- 5 Vuelva a poner el Tanque de recuperación en la máquina. Cerciórese de que el Tanque de recuperación esté bien asentado en el Tanque de solución.
- 6 Vuelva a poner la Tapa de domo (13) en el tanque de recuperación.

NOTA: Las mangueras (C1, C2 y C3) se conectan a la tapa de domo presionándolas contra la apertura en el domo y luego girándolas 1/4 de vuelta en el sentido del reloj para abrocharlas.

Manguera C1 = Manguera de zapata aspiradora

Manguera C2 = Manguera accesoria (varita o herramienta de mano)

Manguera C3 = Manguera del motor de aspiradora (No permita que entre agua ni espuma a esta manguera)

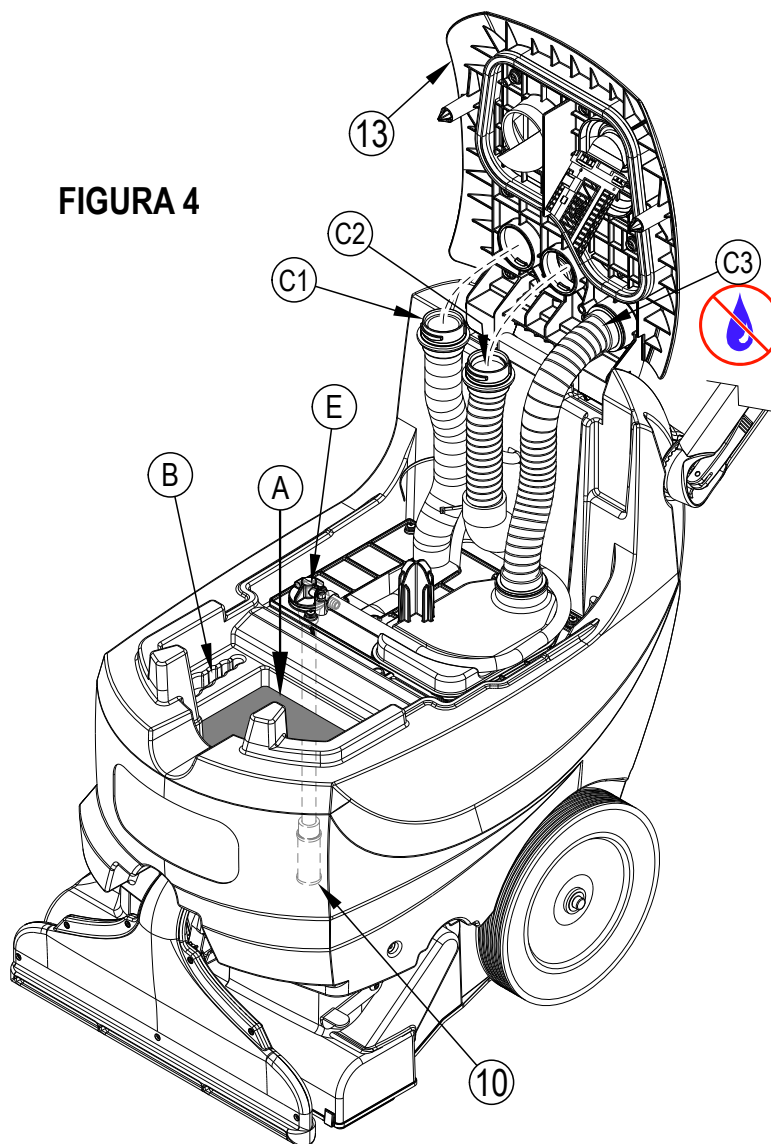


FIGURA 4

ANTES DE USAR LA MÁQUINA

Aspire por completo la alfombra que va a limpiar antes de usar la aspiradora extractora automática.

PRE-ASPERSIÓN DE LA ALFOMBRA

Antes del aspirado de extracción haga una pre-aspersión en las manchas y áreas de alto tráfico. Use un aspersor de botella manual o un aspersor presurizado tipo "Hudson". Mezcle la pre-aspersión siguiendo las indicaciones del fabricante de detergente. **NOTA:** Los modelos ES400 XLP y ES300 XP poseen un "Modo de pre-aspersión" (25c) vea las indicaciones en *La operación de la máquina*.

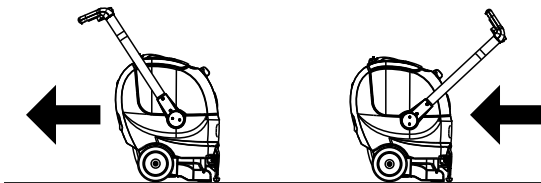
PLAN PARA LA LIMPIEZA

Antes de iniciar la aspiración de extracción, mire el área que va a limpiar y planee su trabajo. Divida el espacio en secciones. Traslape 2 pulgadas (5 cm) en cada pasada.

OPERACIÓN DE LA MÁQUINA

1 Siga las instrucciones en la sección de *Preparación de la máquina para su uso* de este manual.

2 **Vea la Figura 5.** Jale hacia afuera la Palanca para soltar el ajuste del ángulo del asa (5) (Cantidad 2 en la ES300) para soltar la posición del asa. Ajuste la altura del asa a la posición más cómoda para el operario. Empuje la(s) palanca(s) (5) para fijar el asa en su posición. **NOTA:** El modelo ES400 puede usarse en modo de caminar desde atrás, girando el asa hacia el lado de la zapata aspiradora y empujando la máquina en vez de jalarla (como se muestra a la derecha).



3 **Modelos XP / XLP:**

Pre-aspersión de la Solución (se dispensa al mantener el interruptor accionado), escobilla (ON), aspirado (OFF).

-Gire la Perilla selectora de función (25) al modo de Pre-aspersión (25c).

La Pre-aspersión se puede usar para hacer entrar la solución y agitarla con la escobilla sin sacarla con la aspiradora.

Extraiga la Solución (se hace al mantener el interruptor accionado), escobilla (ON), aspirado (ON).

-Gire la Perilla selectora de función (25) ya sea a modo de Mantenimiento (*Lift*) (25a) o Restauración (*Profunda*) (25b).

Modo de mantenimiento Lift (25a): Disminuya el flujo de la solución: recomendado para una limpieza frecuente de superficie que requiere un tiempo de secado más rápido.

Modo de restauración de limpieza profunda (25b): Flujo de solución más elevado, recomendado para una limpieza profunda, menos frecuente.

Modelos ST:

Oprima la Zapata aspiradora / el interruptor de accesorio (27) a la posición de zapata aspiradora.

4 Suelte (oprima hacia abajo) la Palanca de guardado de escobilla (7) para que la escobilla no toque el piso.

5 Gire la perilla selectora de modo de aspiración (3) hasta que la Zapata aspiradora quede en posición (3a) de extracción. **NOTA:** Para que selle completamente, la Perilla (3) debe girarse hasta que las dos flechas apunten una contra la otra.

6 Conecte la máquina a una salida eléctrica correctamente aterrizada. Ponga el Interruptor principal de potencia (24) en posición On (I) para arrancar el motor de la aspiradora, la bomba de solución y el motor de la escobilla.

7 Sostenga oprimido el Interruptor de solución (1) para dispensar solución. En cuanto se suelta el Interruptor de solución (1) se detiene el flujo de solución.

8 Comience a limpiar jalando la máquina en línea recta traslapando 2 pulgadas (5 cm) en cada pasada. Suelte el Interruptor de solución (1) antes de las vueltas para asegurar la completa extracción de la solución de la alfombra.

9 Observe el fluido que entra por la tapa de domo del Tanque de recuperación (13). Si hay mucha espuma en el tanque de recuperación, añada un producto desespumante al tanque de recuperación.

⚠ ¡PRECAUCIÓN!

Vacíe el tanque de recuperación antes de que el fluido o la espuma entren al motor de la aspiradora.

Si poco o nada de fluido entra al tanque de recuperación, revise la manguera de solución / el Indicador de nivel (21), porque el tanque puede estar vacío. Vuelva a llenar de agua el tanque de solución con la relación correcta de detergente limpiador.

10 El tanque de recuperación tiene un cierre automático de flotador (4) para bloquear el sistema de vacío cuando el tanque de recuperación está vacío. Se puede saber cuándo cierra el flotador por el súbito cambio de sonido del motor de la aspiradora. Cuando el flotador cierra, el tanque de recuperación debe vaciarse. La máquina puede continuar dispensando solución, pero **no va** a recoger agua con el flotador cerrado.

11 Cuando el operario desea dejar de limpiar o si el tanque está lleno, debe soltar el Interruptor de solución (1). Entonces apague el interruptor de potencia en Off (O) y desconecte la máquina. Ponga seguro (jale hacia arriba) a la Palanca para guardar la escobilla (7) para que la escobilla quede en su posición de almacenamiento.

12 Mueva la máquina a un "SITIO DE DISPOSICIÓN" para agua residual y vacíe el tanque de recuperación. Para vaciar, jale la Manguera de drenado del Tanque de recuperación (12) de su colgador de almacenamiento y luego quite el tapón (sostenga el extremo de la manguera sobre el nivel de agua en el tanque para evitar que ocurra un flujo súbito descontrolado de agua residual). Vuelva a llenar el tanque de solución y siga limpiando.

USO DE LOS ADITAMENTOS

A fin de usar las herramientas accesorias:

1 Gire la Perilla selectora de modo de aspiración (3) hasta la posición de Accesorios (3b) para los aditamentos. **NOTA:** Para que selle completamente, la Perilla (3) debe girarse hasta que las dos flechas apunten una contra la otra.

2 Conecte la manguera de recuperación de accesorios al Puerto de Aspiración de accesorios (22).

3 Conecte la manguera de solución para accesorios al Puerto de Solución de accesorios (15).

4 **Modelos XP / XLP:**

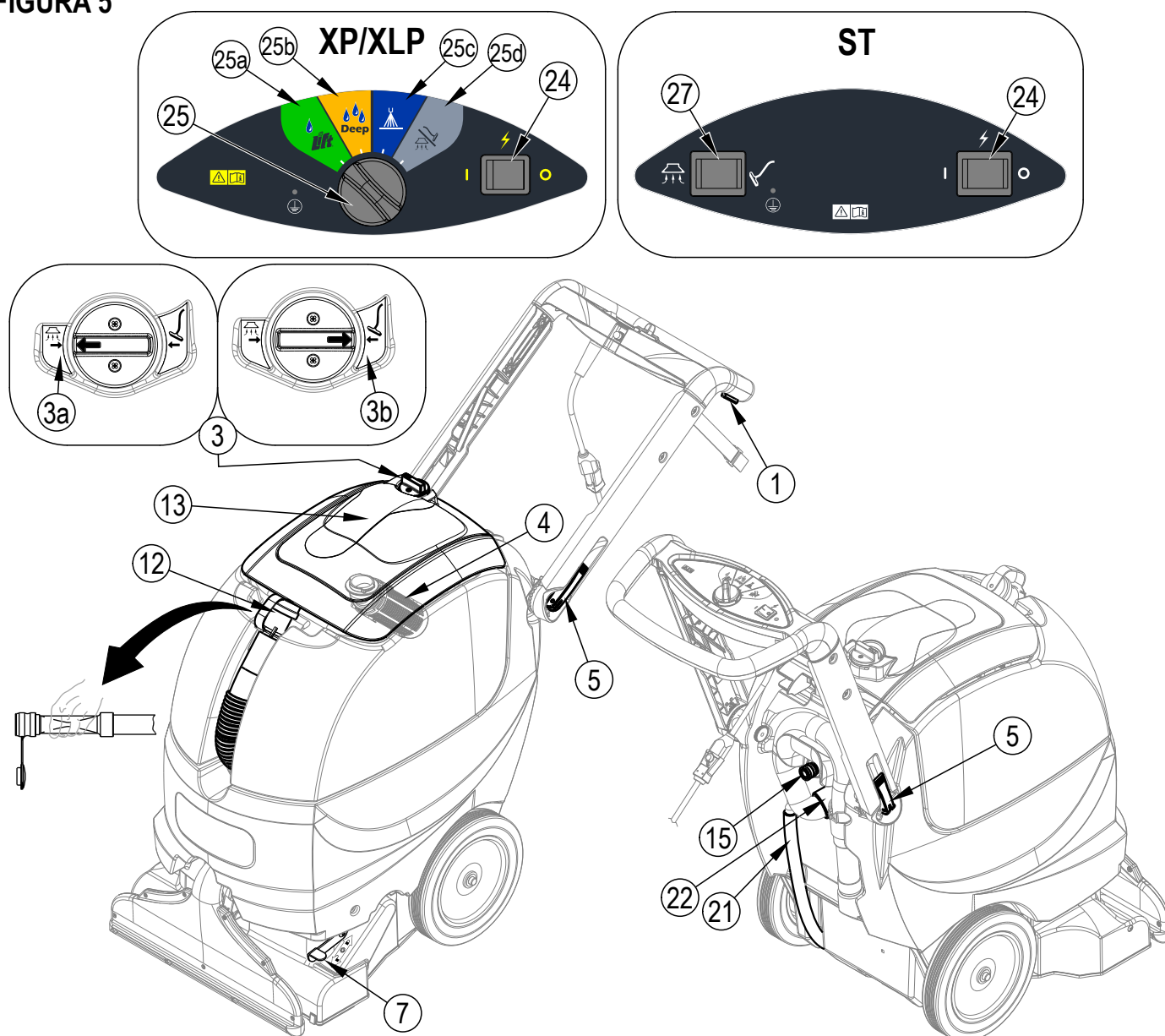
Gire la Perilla selectora de función (25) al modo de Varita/Accesorio (25d).

Modelos ST:

Oprima la Zapata aspiradora / el interruptor de accesorio (27) a la posición de zapata aspiradora.

5 Ponga el Interruptor principal de potencia (24) en posición On (I) para arrancar el motor de la aspiradora, la bomba de solución. Consulte a su Distribuidor de Advance para saber cuáles accesorios puede usar con los modelos ES300 / ES400.

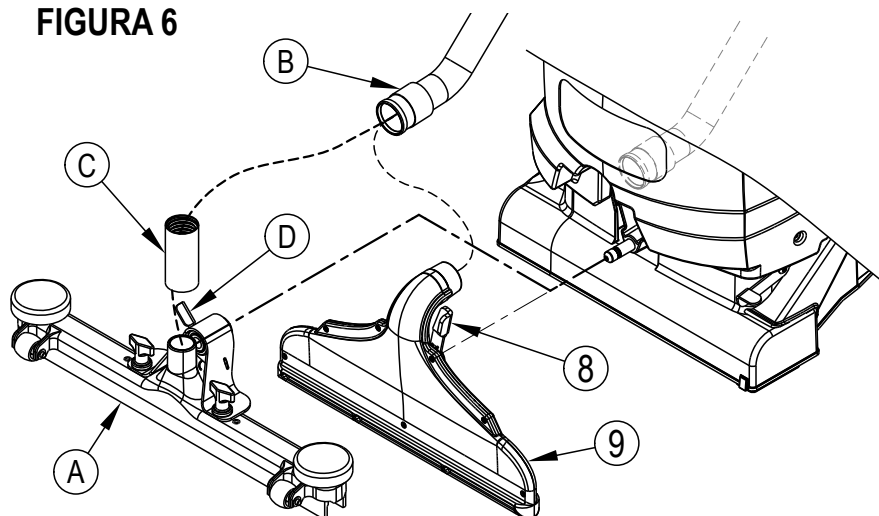
FIGURA 5



JUEGOS PARA PISO DURO

La zapata aspiradora puede quitarse y reemplazarse con una herramienta opcional de Limpiador de goma (A) para pisos duros. Vea la Figura 6. Presione y mantenga abajo la Palanca para soltar la Zapata aspiradora (8) y deslice la Zapata aspiradora (9) fuera de su pasador de montaje. Luego desconecte el Manguera de recuperación (B) de la zapata aspiradora y conéctela al manguito de cuello de la manguera (C) y luego al Limpiador de goma (A). Fije la herramienta de limpiador de goma a la máquina en el mismo punto de montaje de la zapata aspiradora: basta con empujar la Palanca para soltar (D) y deslizar la herramienta de Limpiador de goma hasta su lugar. **NOTA:** Las aplicaciones para pisos duros pueden requerir el uso de una escobilla distinta. En la Lista de partes encontrará una guía de selección de escobillas y sus números de parte.

FIGURA 6



DESPUÉS DE USAR LA MÁQUINA

- 1 Ponga el Interruptor de potencia, en OFF (O). Desconecte el Cable de alimentación (16). Embobine el cable y cuélguelo de la Correa Retén de cable (14).
- 2 Para vaciar el tanque de recuperación, descuelgue de su colgador la Manguera de drenado de recuperación (12). Dirija la manguera al "SITIO DE DISPOSICIÓN" de agua residual y quite el tapón (sostenga el extremo de la manguera sobre el nivel de agua en el tanque para evitar que ocurra un flujo súbito descontrolado de agua residual). Enjuague el tanque con agua limpia. Inspeccione las mangueras de recuperación y drenado; reemplácelas si están pellizcadas o dañadas.
- 3 Para vaciar el tanque de solución, jale de su codo la Manguera de drenado de recuperación (21). Dirija la manguera al "SITIO DE DISPOSICIÓN" de agua residual. Enjuague el tanque con agua limpia. Inspeccione las mangueras de solución; reemplácelas si están pellizcadas o dañadas.
- 4 Quite la escobilla, enjuague con agua tibia y quite toda acumulación de hilos, pelo o fibras de alfombra.
- 5 Desconecte las Mangueras de recuperación C1 y C2 (Ver la Figura 4) desde la Tapa de domo del tanque de recuperación (13) y enjuáguelo con agua tibia para sacar cualquier desecho de la Manguera de recuperación y Zapata aspiradora. No enjuague la manguera C3 ya que esta se conecta al motor de la aspiradora.
- 6 Limpie la máquina con un trapo húmedo. No use productos abrasivos ni solventes.
- 7 Lleve a cabo cualquier mantenimiento que se requiera antes del almacenarla. Consulte el Programa de Mantenimiento.
- 8 Almacena la máquina en interiores, en un lugar limpio y seco con la tapa de domo abierta. Evite que se congele.
- 9 Ponga la máquina en posición de almacenamiento. Esto evitará que la escobilla se deforme y se amolde, lo que prolongará su vida y mantendrá su desempeño. Levante la Palanca de la escobilla (7) hasta que abroche en su posición de almacenamiento.

PROGRAMA DE MANTENIMIENTO

PARTIDA DE MANTENIMIENTO	Diario	Semanal	Anual
Revise / Limpie la escobilla eléctrica	X		
Revise / Limpie Tanques y Mangueras	X		
Revise / Limpie el Flotador de cierre de aspiradora	X		
Limpie la Zapata aspiradora	X		
Limpie la boquilla de aspersión de "Mantenimiento"		X	
Inspeccione y limpie el filtro de solución		X	
*Enjuáguela con una mezcla de vinagre a través del sistema de solución			X
**Revise las escobillas de carbón			X

* Una vez al año, o cada 300 horas de operación enjuague toda la máquina con una mezcla de vinagre blanco (un cuarto de galón (0.94 L) de vinagre en dos galones de agua (7.57 L)). Esto ayudará a evitar que se acumule un residuo alcalino en el sistema de solución.

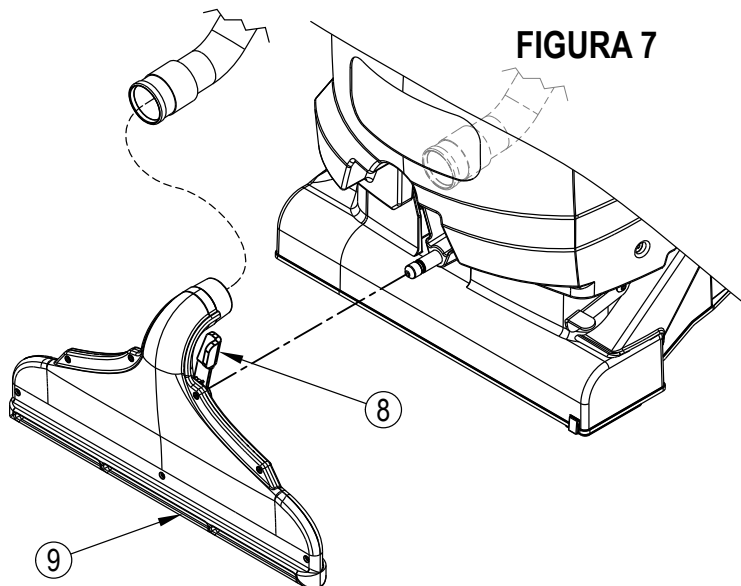
**Haga que un técnico de servicio de Advance revise las escobillas de carbón del motor de la aspiradora una vez al año o cada 300 horas de operación. Las escobillas de carbón del motor se revisan cada 500 horas o una vez al año.

⚠ ¡IMPORTANTE!

La garantía limitada no cubre daños al motor por no dar servicio a las escobillas de carbón. Lea la Declaración de Garantía Limitada.

MANTENIMIENTO DE LA ZAPATA ASPIRADORA

Revise diariamente la zapata aspiradora. Quite cualquier acumulación de hilos, pelo o fibras de alfombra. Vea la Figura 7. Presione y mantenga abajo la Palanca para soltar la Zapata aspiradora (8) y deslice la Zapata aspiradora (9) fuera de su pasador de montaje. Luego desconecte la manguera de recuperación de la zapata aspiradora.



MANTENIMIENTO DE LA BOQUILLA DE ASPERSIÓN

Quite la Boquilla de aspersión de mantenimiento (A) una vez a la semana. Vea la Figura 8. Para quitarla, gire la boquilla 1/4 de vuelta contra el sentido del reloj. Deje la boquilla metida en vinagre toda la noche para quitar los depósitos químicos. No use alfileres, alambres ni objetos similares para limpiar la boquilla, porque puede destruir el patrón de aspersión.

MANTENIMIENTO DEL FILTRO DE SOLUCIÓN

Una vez a la semana (o más a menudo de ser necesario), inspeccione y limpie el Filtro de Solución (10). Drene los tanques de recuperación y de solución. Extraiga el tanque de recuperación de la máquina y póngalo a un lado. Vea la Figura 4. Mantenga la manguera de solución conectada y gire el Conjunto de Filtro (E) 1/4 de vuelta contra el sentido del reloj para aflojarlo. Jale el conjunto del filtro de forma recta hacia arriba y extráigalo del tanque de solución. Después de limpiarlo vuelva a instalarlo siguiendo los pasos en el orden inverso.

MANTENIMIENTO DEL CABLE DE ALIMENTACIÓN

Una vez por semana (o más a menudo de ser necesario), revise que el aislamiento del cable de alimentación no tenga grietas ni daños, alambres pelados en el cable o la clavija, y que las patas de esta no están dañadas o rotas. Reemplace el cable dañado o conéctelo de inmediato.

MANTENIMIENTO DEL DE LA ESCOBILLA ELÉCTRICA

Revise diariamente la escobilla. Quite cualquier acumulación de hilos, pelo o fibras de alfombra. Cuando la máquina no se usa, debe ponerse en posición de almacenamiento. Esto evitará que la escobilla se deforme y se amolde, lo que prolongará su vida y mantendrá su desempeño.

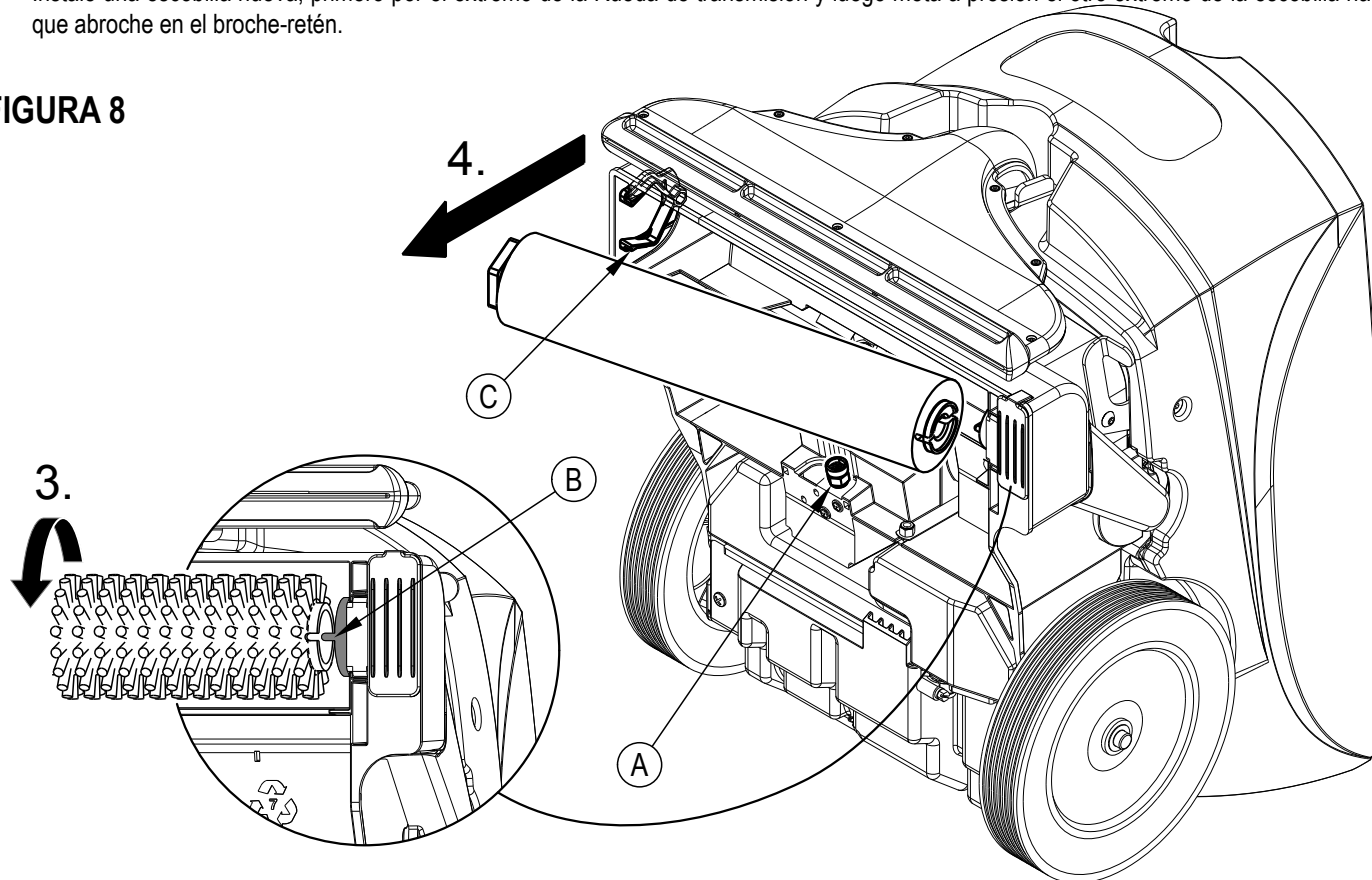
CÓMO QUITAR LA ESCOBILLA

⚠ ¡PRECAUCIÓN!

Antes de cambiar las escobillas ponga el interruptor de potencia en off (O) y desconecte la máquina.

- 1 Drene ambos tanques: el de recuperación y el de solución. Abra la tapa de domo del tanque de recuperación. Extraiga el tanque de recuperación de la máquina y póngalo a un lado.
- 2 Ponga el Conjunto del asa (23) en posición vertical y voltee la máquina boca arriba.
- 3 Vea la Figura 8. Haga girar la escobilla hasta que la Rueda de Transmisión (B) quede en una posición donde sus salientes queden paralelas al piso.
- 4 Sujete la escobilla por el extremo del Broche-retén de la escobilla (C) y sáquela jalándola con movimiento recto.
- 5 Instale una escobilla nueva, primero por el extremo de la Rueda de transmisión y luego meta a presión el otro extremo de la escobilla hasta que abraque en el broche-retén.

FIGURA 8



SOLUCIÓN DE PROBLEMAS

Si las posibles causas que se listan a continuación no son el origen del problema, esto indicará que hay algo más grave. Contacte de inmediato a su Centro de servicio de Advance para darle servicio.

DISPARO DEL CORTACIRCUITOS

El Cortacircuitos (26) se localiza al Panel de Control; protege el circuito eléctrico y el motor de la escobilla de daños por sobrecargas. Si el cortacircuitos se dispara trate de determinar la causa.

El cortacircuitos de la Escobilla (5 Amp). La causa probable puede ser:

- 1 Hay restos enredados alrededor de la transmisión de la escobilla (quite los restos)
- 2 Corto circuito eléctrico (haga que su Centro de servicio de Advance o un técnico calificado revisen la máquina)

Una vez que el problema fue corregido, oprima el botón para restablecer el cortacircuitos. Si el botón no se queda oprimido, espere 5 minutos y vuelva a intentarlo. Si el cortacircuitos se dispara repetidamente, llame a su Centro de Servicio de Advance para que le den servicio.

RECOGE POCA AGUA

Las causas posibles pueden ser:

- 1 La Perilla selectora de modo de aspiración (3) está puesta en el modo equivocado o no ha asentado correctamente (gire la perilla totalmente para alinearla con la flecha del icono)
- 2 El tanque de recuperación está lleno (vacíe el tanque de recuperación)
- 3 La Perilla selectora de función (25) está en Modo de Pre-aspersión (25c) o de Varita/Accesorio (25d) en el que el motor de aspiradora está apagado Off (gire la perilla a una de las posiciones de extracción (25a o 25b))
- 4 Abra la manguera de drenado del tanque de recuperación (fije la capucha de la manguera de drenado o reemplácela)
- 5 La manguera de recuperación no se ha conectado a nivel de la zapata aspiradora (conecte la manguera a la zapata aspiradora)
- 6 Las mangueras de recuperación no están conectadas a los puertos correctos de la tapa de domo (conecte las mangueras a los puertos correctos)
- 7 La manguera de recuperación está pellizcada o dañada (reemplácela)
- 8 Hay restos atrapados en la zapata aspiradora, en la paleta selectora de modo o la manguera de recuperación (limpie la zapata aspiradora, el selector de modo y la manguera de recuperación)
- 9 Hay una fuga en el empaque de la tapa de domo del tanque de recuperación (reemplace el empaque)
- 10 El sello de la paleta selectora de modo está desgastada o se ha perdido (reemplace el sello)

EL FLUJO DE SOLUCIÓN NO ES ADECUADO

Las causas posibles pueden ser:

- 1 El tanque de solución está vacío (llene el tanque de solución)
- 2 Las líneas de solución o el filtro están tapados (enjuague las líneas y el filtro)
- 3 La línea de solución no está conectada al conjunto del filtro (conecte la línea de solución)
- 4 La boquilla de aspersión está tapada (limpie la boquilla)

MATRIZ DE LA PERILLA SELECTORA DE FUNCIÓN (ES300 XP Y ES400 XLP)

La siguiente matriz muestra qué funciones están activas "X" para cada posición de la Perilla selectora de función (25). Esto puede ser útil para resolver problemas.




Posición (25a)	Posición (25b)	Posición (25c)	Posición (25d)	Función de la máquina
X	X		X	Aspirado
	X	X		Solución (Restaurar la boquilla)
X				Solución (Dar mantenimiento a la boquilla)
X	X	X		Escobilla

ACCESORIOS / OPCIONES

Además de los componentes estándar la máquina puede estar equipada con los siguientes accesorios/opciones, dependiendo del uso específico de la máquina.

- Escobillas con cerdas más duras o más suaves
- Herramienta de mano para tapicería
- Diferentes opciones de varita y manguera

ESPECIFICACIONES TÉCNICAS (COMO SE INSTALÓ Y PROBÓ LA UNIDAD)

Modelo		Advance ES400 XLP	Advance ES300 XP	Advance ES300 ST
Modelo Núm.		56265501	56265500	56265502
Tensión/frecuencia	V/Hz	120 / 50-60	120 / 50-60	120 / 50-60
Corriente nominal	Amp	14.9	14.5	14.5
Clase de protección (eléctrica)				
Grado de protección		--	--	--
Nivel de presión de sonido IEC 60335-2-72: Enmienda del 2002 1:2005, ISO 11201	dB(A)/20µPa	68	68	68
Nivel de presión de sonido - KpA (IEC 60335-2-72, ISO 11201) Incertidumbre	dB(A)	3	3	3
Vibraciones en los Controles manuales (ISO 5349-1)	m/s ²	1.8	1.8	1.8
Vibraciones en los Controles manuales (ISO 5349-1) Incertidumbre	m/s ²	0.2	0.2	0.2
Ancho de la máquina	pulgadas / cm	22.75 / 57.7	19.25 / 48.9	19.25 / 48.9
Altura mínima de la máquina con barra de asa ajustable	pulgadas / cm	35.25 / 81.9	32 / 81.3	32 / 81.3
Altura máxima de la máquina con barra de asa ajustable	pulgadas / cm	56.5 / 143.5	46.5 / 118	46.5 / 118
Longitud mínima de la máquina con barra de asa ajustable	pulgadas / cm	29.25 / 74.3	28 / 71.1	28 / 71.1
Longitud máxima de la máquina con barra de asa ajustable	pulgadas / cm	51 / 129.5	48.25 / 122.5	48.25 / 122.5
Capacidad del Tanque de solución	Galón / L	12 / 45	9 / 34	9 / 34
Capacidad del tanque de recuperación	Galón / L	12 / 45	7 / 26	7 / 26
Peso bruto*	lb/kg	118 / 53.5	106 / 48	102 / 46.3

Composición de materiales y reciclabilidad

Tipo	% del peso de la máquina	% reciclable
Aluminio	5%	100%
Eléctrico / motores / motores - miscelan.	23%	39%
Metales ferrosos	3%	100%
Arneses / cables	1%	83%
Líquidos	0%	0%
Plástico: no reciclable	10%	0%
Plástico: reciclable	10%	100%
Poliétileno	42%	90%
Hule	7%	33%

TABLE DES MATIÈRES

	Page
Introduction	C-3
Pièces et service après-vente	C-3
Plaque d'identification.....	C-3
Déballage de la machine.....	C-3
Consignes de prudence et de sécurité.....	C-4
Instructions de mise à la terre	C-5
Apprenez à connaître votre machine – ES400™	C-6 – C-7
Apprenez à connaître votre machine – ES300™	C-8 – C-9
Apprenez à connaître votre panneau de commande	C-10
Préparation de la machine	
Remplissage du réservoir de solution	C-11
Avant l'utilisation.....	C-11
Pré-vaporisation du tapis.....	C-11
Planification du nettoyage	C-11
Fonctionnement	
Fonctionnement de la machine	C-12 – C-13
Utilisation des accessoires	C-12 – C-13
Kits pour sols durs.....	C-13
Après l'utilisation	
Après l'utilisation de la machine	C-14
Entretien	
Programme d'entretien	C-14
Entretien de l'embout d'aspiration	C-14
Entretien du gicleur.....	C-15
Entretien du cordon électrique.....	C-15
Entretien de la brosse mécanique.....	C-15
Démontage de la brosse	C-15
Dépannage.....	C-16
Accessoires / Options.....	C-17
Spécifications techniques.....	C-17

INTRODUCTION

Ce mode d'emploi vous permettra d'exploiter au maximum les fonctionnalités de votre extracteur Advance™. Lisez-le attentivement avant d'utiliser la machine.

Ce produit est conçu pour un usage commercial uniquement.

PIÈCES ET SERVICE APRÈS-VENTE

Si nécessaire, les réparations doivent être effectuées par votre centre de service Advance agréé. Ce centre emploie du personnel formé en usine et maintient un inventaire de pièces de rechange et d'accessoires originaux Advance.

MODIFICATIONS

Les modifications et ajouts d'éléments à la machine, qui affectent ses capacités et son fonctionnement sécurisé, ne doivent pas être réalisés par le client ou l'utilisateur sans le consentement préalable et écrit de Nilfisk Inc. Toute altération non approuvée annulera la garantie de la machine. En outre, le client sera entièrement responsable des accidents associés.

PLAQUE D'IDENTIFICATION

Le numéro de modèle (également dénommé Référence) et le numéro de série de votre machine figurent sur la plaque d'identification située derrière, à la base de la machine. Ces informations sont nécessaires pour commander des pièces détachées. Utilisez l'espace ci-dessous pour consigner ces renseignements en vue d'une utilisation ultérieure.

RÉFÉRENCE _____

N° DE SÉRIE _____

DÉBALLAGE DE LA MACHINE

Lors de la livraison de la machine, veuillez inspecter soigneusement le carton de conditionnement et la machine elle-même afin de déceler tout dommage éventuel. En cas de dommages manifestes, conservez le carton de conditionnement afin d'en permettre l'inspection. Le cas échéant, prenez immédiatement contact avec le service clientèle d'Advance afin de faire une déclaration de dommage de fret.

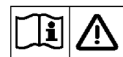
AVERTISSEMENT !

Les Produits vendus avec le présent manuel contiennent ou peuvent contenir des produits chimiques reconnus par certains gouvernements (comme l'État de Californie, par le biais de la proposition de loi d'avertissement réglementaire 65) comme provoquant des cancers, des anomalies congénitales et autres dangers pour la reproduction. Dans certains endroits (comme l'État de Californie), les acheteurs de ces Produits, qui les utilisent sur un lieu de travail ou dans un espace public, ont l'obligation d'apposer certains avis, avertissements ou informations concernant les produits chimiques qui sont ou peuvent être contenus dans les Produits dans ces lieux ou aux alentours de ces lieux de travail. Il incombe à l'acheteur de connaître les dispositions de, et de respecter, toutes les lois et réglementations ayant trait à l'utilisation de ces Produits au sein de tels environnements. Le Fabricant rejette toute responsabilité d'informer les acheteurs concernant les exigences spécifiques qui peuvent s'appliquer à l'utilisation de ces Produits dans de tels environnements.

CONSIGNES DE SÉCURITÉ IMPORTANTES

Cette machine est destinée à un usage commercial et peut être utilisée, entre autres, dans les hôtels, écoles, hôpitaux, magasins et bureaux. Elle n'a donc pas été conçue pour l'entretien ménager.

Lorsque vous utilisez un appareil électrique, certaines règles de base doivent toujours être observées, dont celles énoncées ci-après.



Lisez toutes les instructions avant d'utiliser l'appareil.

AVERTISSEMENT !

Afin de réduire les risques d'incendie, de décharge électrique ou de blessure :

- Ne laissez pas l'appareil sans surveillance lorsqu'il est branché sur le secteur. Débranchez-le lorsque vous ne l'utilisez pas et avant de procéder à son entretien.
- Afin d'éviter tout risque de décharge électrique, n'exposez pas l'appareil à la pluie. Rangez la machine à l'intérieur.
- L'utilisation de cette machine n'est pas destinée aux personnes (notamment les enfants) qui souffrent de capacités physiques, sensorielles ou mentales diminuées, ou d'un manque d'expérience et de connaissances.
- Cet appareil ne doit pas être utilisé comme un jouet. Faites très attention lorsque l'appareil est utilisé à proximité d'enfants.
- Utilisez cet appareil uniquement comme décrit dans le présent manuel. Utilisez uniquement les accessoires recommandés par le fabricant.
- N'utilisez pas l'appareil si le cordon ou la prise sont endommagés. Si l'appareil ne fonctionne pas correctement, est tombé, endommagé, resté à l'extérieur, voire lâché dans l'eau, renvoyez-le au centre de service.
- Ne tirez pas et ne portez pas l'appareil par le cordon électrique. Ne l'utilisez pas non plus comme poignée et ne l'enroulez pas autour d'objets pointus ou tranchants. Évitez également de refermer une porte sur le cordon. Évitez de faire rouler l'appareil sur le cordon. Le cordon doit rester loin de toute surface chauffée.
- Ne débranchez pas l'appareil en tirant sur le cordon. Pour débrancher la machine, saisissez la prise et non le cordon.
- Ne manipulez pas la prise, le cordon ou l'appareil avec les mains humides.
- N'introduisez aucun objet dans les orifices de l'appareil. N'utilisez pas l'appareil si l'un de ses orifices est bloqué ; conservez à l'abri des poussières, cheveux, peluches, etc., qui risquent de réduire le débit d'air.
- Évitez que des cheveux, doigts ou vêtements amples ne soient entraînés dans les parties mobiles de la machine ou pris dans un de ses orifices.
- N'aspirez aucun objet brûlant ou fumant, tel que des cigarettes, des allumettes, des cendres chaudes, ni aucune poussière nuisible à la santé.
- Placez toutes les commandes en position d'arrêt avant de débrancher l'appareil.
- Faites très attention en nettoyant des escaliers.
- N'utilisez pas la machine pour ramasser des liquides inflammables ou combustibles tels que l'essence ou à proximité de telles substances.
- Si de la mousse ou du liquide s'échappe avec l'air évacué, coupez immédiatement l'interrupteur principal. Vérifiez qu'aucun corps étranger n'empêche le flotteur de bouger librement. Adressez-vous à Advance si le problème persiste.
- Tout liquide éjecté du gicleur peut être dangereux en raison de sa température, de sa pression ou de sa nature chimique.
- Utilisez uniquement les brosses fournies avec l'appareil ou celles spécifiées dans le mode d'emploi. L'utilisation d'autres brosses peut mettre la sécurité en péril.

CONSERVEZ CES CONSIGNES

INSTRUCTIONS DE MISE À LA TERRE POUR 120 V C.A.

Cet appareil doit être mis à la terre. En cas de mauvais fonctionnement, la mise à la terre établit un trajet de moindre résistance pour le courant électrique afin de réduire le risque de décharge électrique. Cet appareil est équipé d'un cordon doté d'un conducteur de protection et d'une prise de mise à la terre. La prise doit être branchée à une prise murale appropriée, correctement installée et mise à la terre, en accord avec tous les codes et consignes locaux.

⚠ DANGER !

Un conducteur de protection mal branché peut entraîner un risque de décharge électrique. Vérifiez avec un électricien ou un technicien qualifié en cas de doute sur la mise à la terre correcte de la prise. Ne modifiez pas la prise fournie avec l'appareil. Si elle ne peut pas être branchée, faites installer une prise murale appropriée par un électricien qualifié.

Cet appareil est destiné à être utilisé sur un circuit de 120 volts et possède une prise de mise à la terre comme celle illustrée à la Figure 1. Un adaptateur temporaire illustré sur les Figures 2 et 3 peut être utilisé pour brancher cette dernière à une prise fixe bipolaire, illustrée à la Figure 2, si une prise correctement mise à la terre n'est pas disponible. L'adaptateur temporaire doit être utilisé jusqu'à ce qu'une prise correctement mise à la terre (Figure 1) soit installée par un électricien qualifié. La languette rigide de couleur verte, ou autre dispositif du même genre, de l'adaptateur doit être connectée à une mise à la terre permanente, telle qu'une prise correctement reliée à la terre. Lorsque l'adaptateur est utilisé, il doit être maintenu en position avec une vis métallique.

Les adaptateurs de mise à la terre ne sont pas conçus pour une utilisation au Canada.

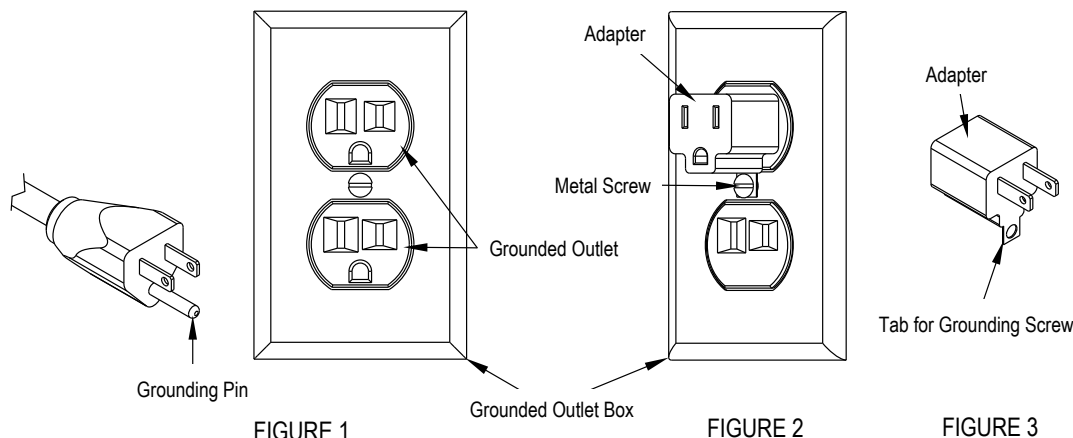
Remplacez la prise si la broche de mise à la terre est endommagée ou cassée.

Le fil vert (ou vert/jaune) est le fil de terre. Lorsque vous remplacez la prise, ce fil doit être connecté à la broche de mise à la terre uniquement.

Les cordons prolongateurs branchés à cette machine doivent être des rallonges à trois conducteurs de 2,5 mm² (12 AWG), avec des fiches et des prises à trois broches. N'utilisez pas des cordons prolongateurs de plus de 15 m (50 pieds).

⚠ AVERTISSEMENT !

- Si une rallonge est utilisée, la prise de la rallonge et la prise murale doivent être étanches.
- Les rallonges électriques inappropriées peuvent présenter des risques.

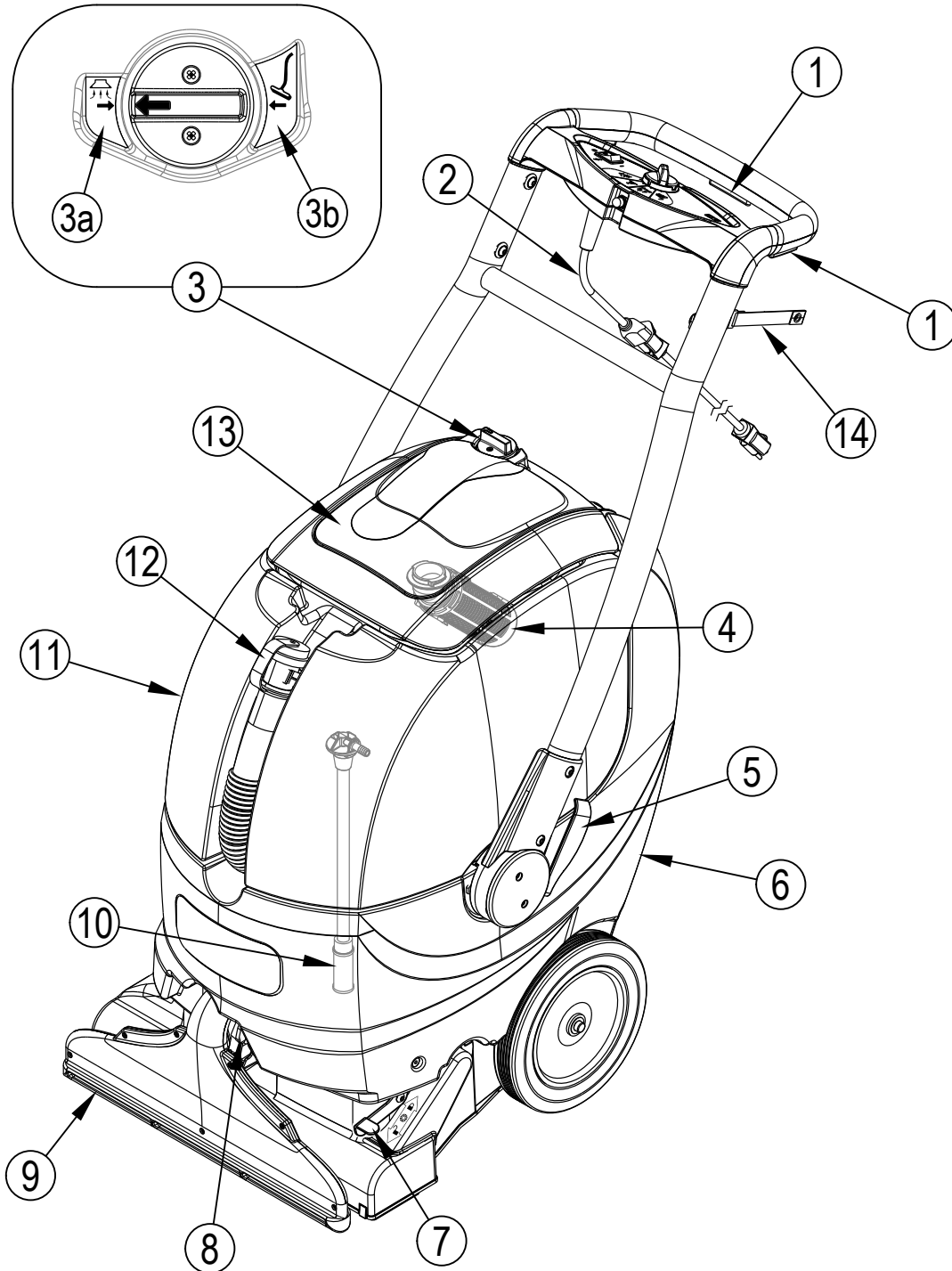


REMARQUE : UNIQUEMENT POUR LES PIÈCES D'AMÉRIQUE DU NORD. UTILISATION NON APPROUVÉE AU CANADA.

APPRENEZ À CONNAÎTRE VOTRE MACHINE – ES400

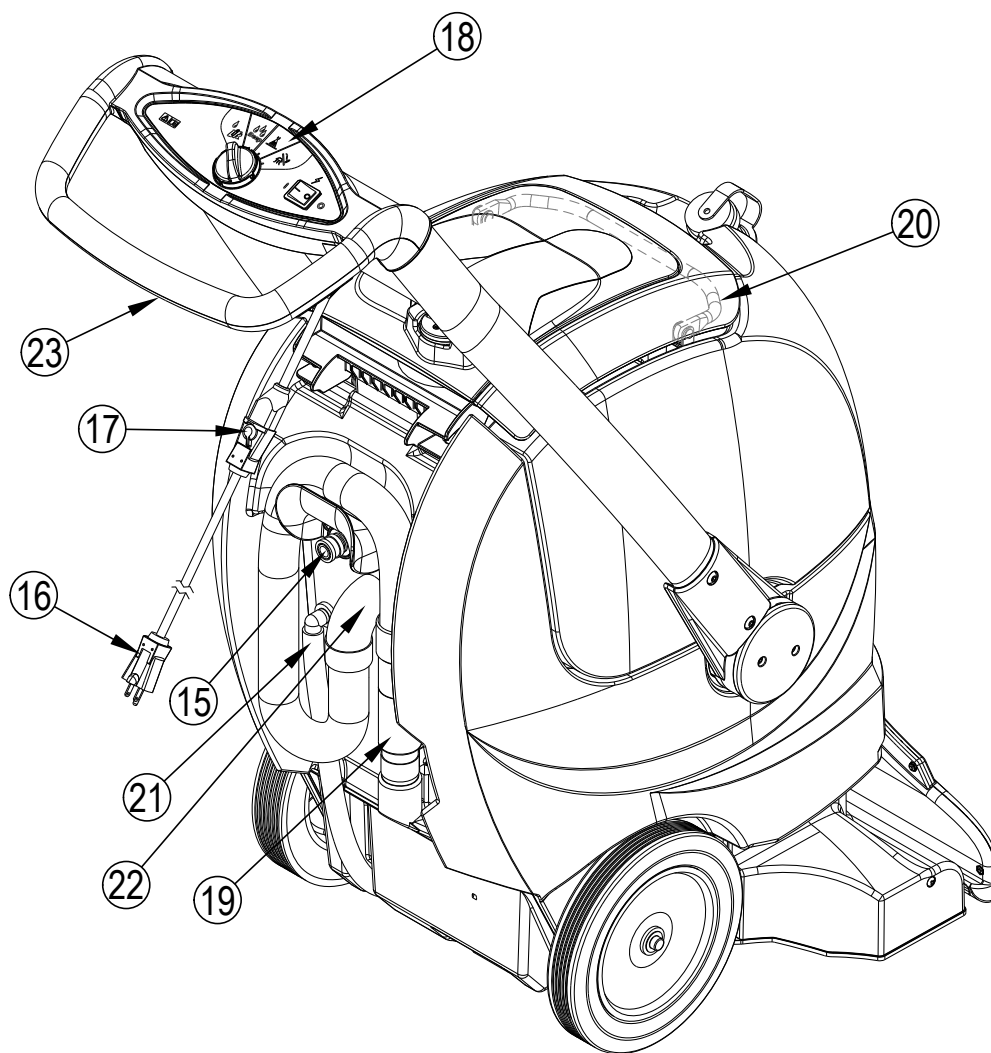
- 1 Commutateurs de solution (au nombre de 3)
- 2 Cordon queue de cochon
- 3 Sélecteur du mode d'aspiration
- 3a Mode avec embout d'aspiration
- 3b Mode avec accessoire
- 4 Fermeture à flotteur automatique
- 5 Levier de déblocage de l'inclinaison de la poignée
- 6 Réservoir de solution

- 7 Levier de rangement de la brosse
- 8 Levier de déblocage de l'embout d'aspiration
- 9 Embout d'aspiration
- 10 Filtre de solution
- 11 Réservoir de récupération
- 12 Tuyau de vidange du réservoir de récupération
- 13 Capot du réservoir de récupération
- 14 Attache de retenue du cordon



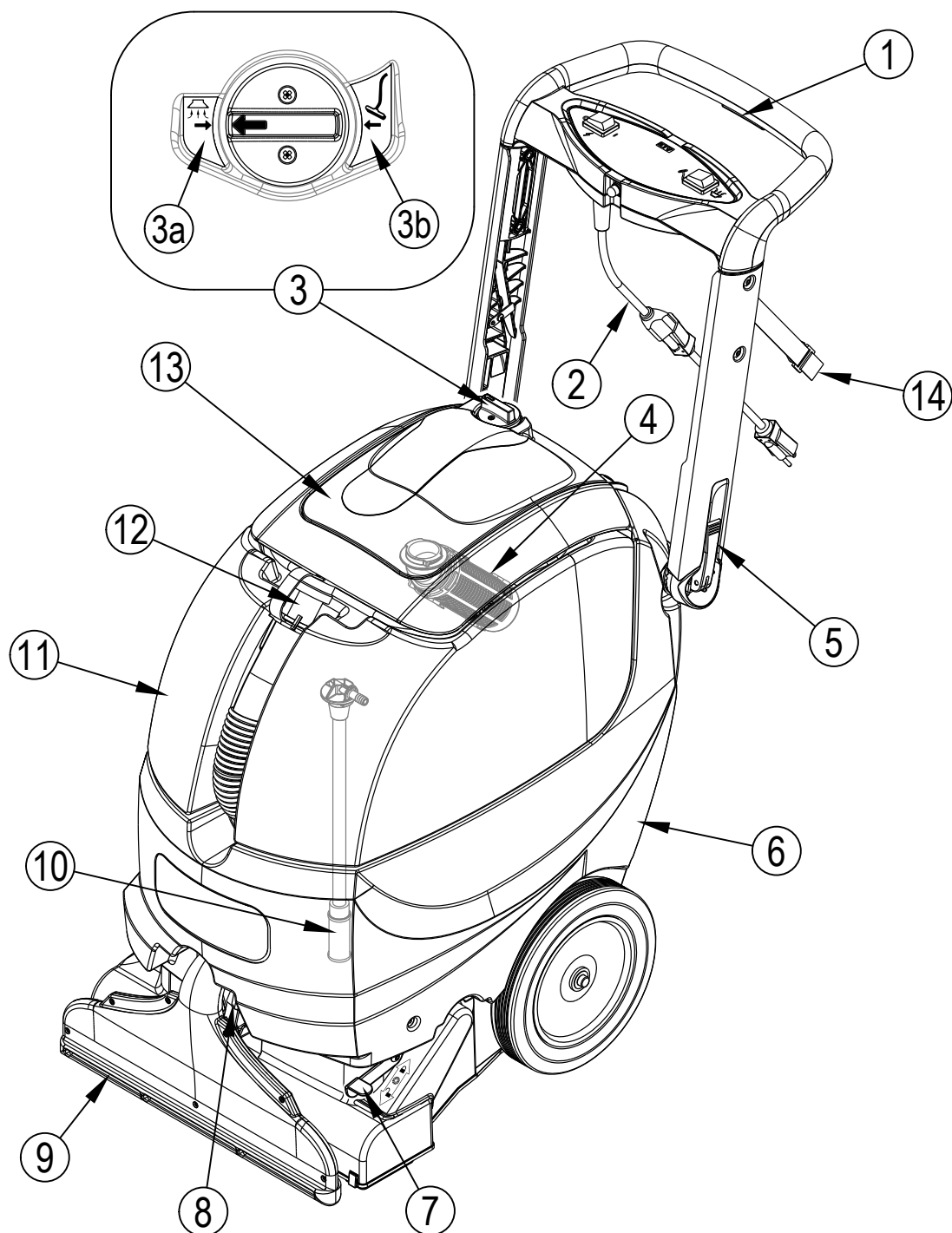
APPRENEZ À CONNAÎTRE VOTRE MACHINE – ES400

- 15 Orifice de solution de l'accessoire
- 16 Cordon d'alimentation
- 17 Mécanisme de blocage du cordon électrique
- 18 Panneau de commande
- 19 Accessoire manuel (optionnel)
- 20 Poignée du réservoir de récupération
- 21 Voyant de niveau / tuyau de vidange de la solution
- 22 Orifice du tuyau d'aspiration de l'accessoire
- 23 Ensemble poignée



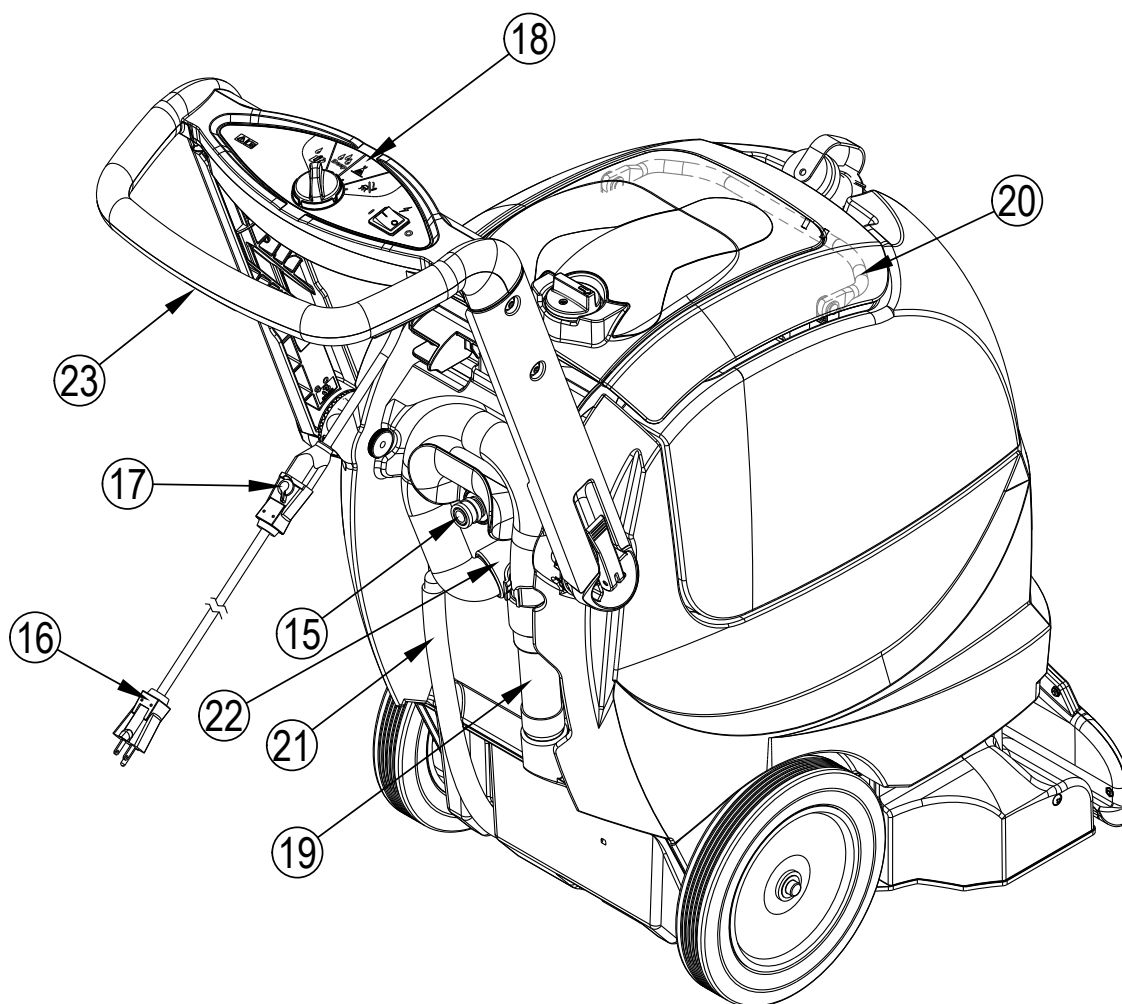
APPRENEZ À CONNAÎTRE VOTRE MACHINE – ES300

- | | | | |
|----|--|----|---|
| 1 | Interrupteur de solution | 7 | Levier de rangement de la brosse |
| 2 | Cordon queue de cochon | 8 | Levier de déblocage de l'embout d'aspiration |
| 3 | Sélecteur du mode d'aspiration | 9 | Embout d'aspiration |
| 3a | Mode avec embout d'aspiration | 10 | Filtre de solution |
| 3b | Mode avec accessoire | 11 | Réservoir de récupération |
| 4 | Fermeture à flotteur automatique | 12 | Tuyau de vidange du réservoir de récupération |
| 5 | Leviers de déblocage de l'inclinaison de la poignée (au nombre de 2) | 13 | Capot du réservoir de récupération |
| 6 | Réservoir de solution | 14 | Attache de retenue du cordon |



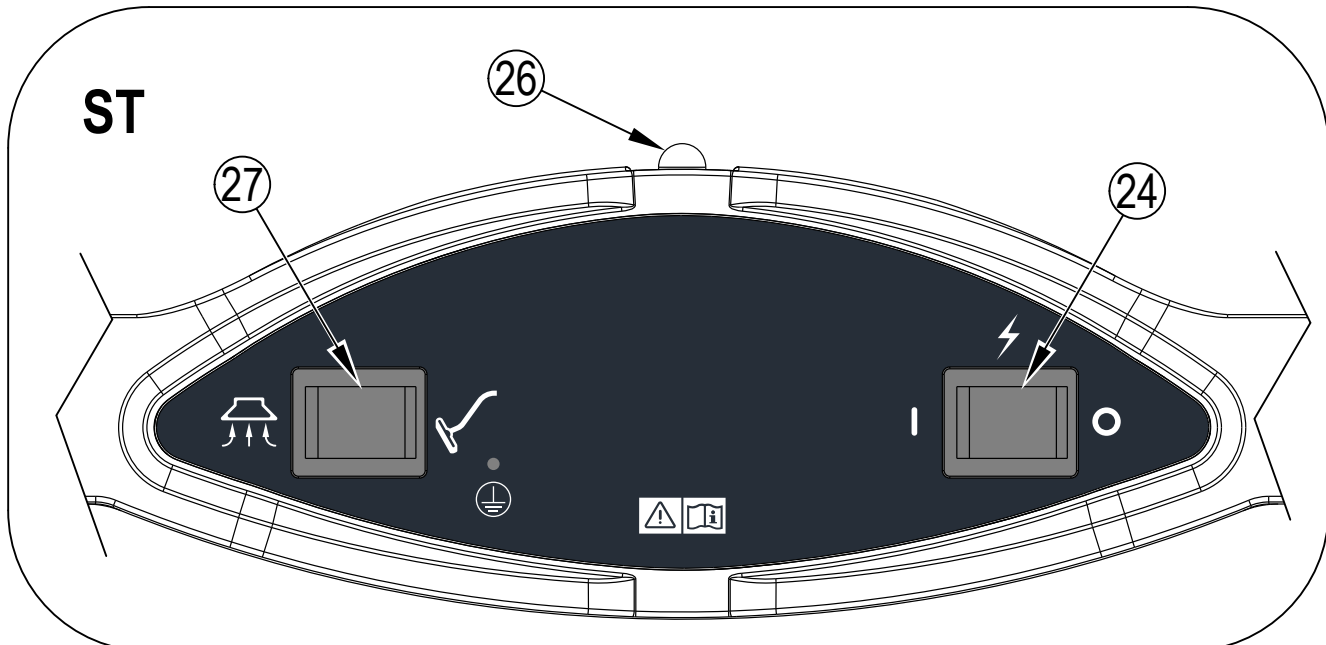
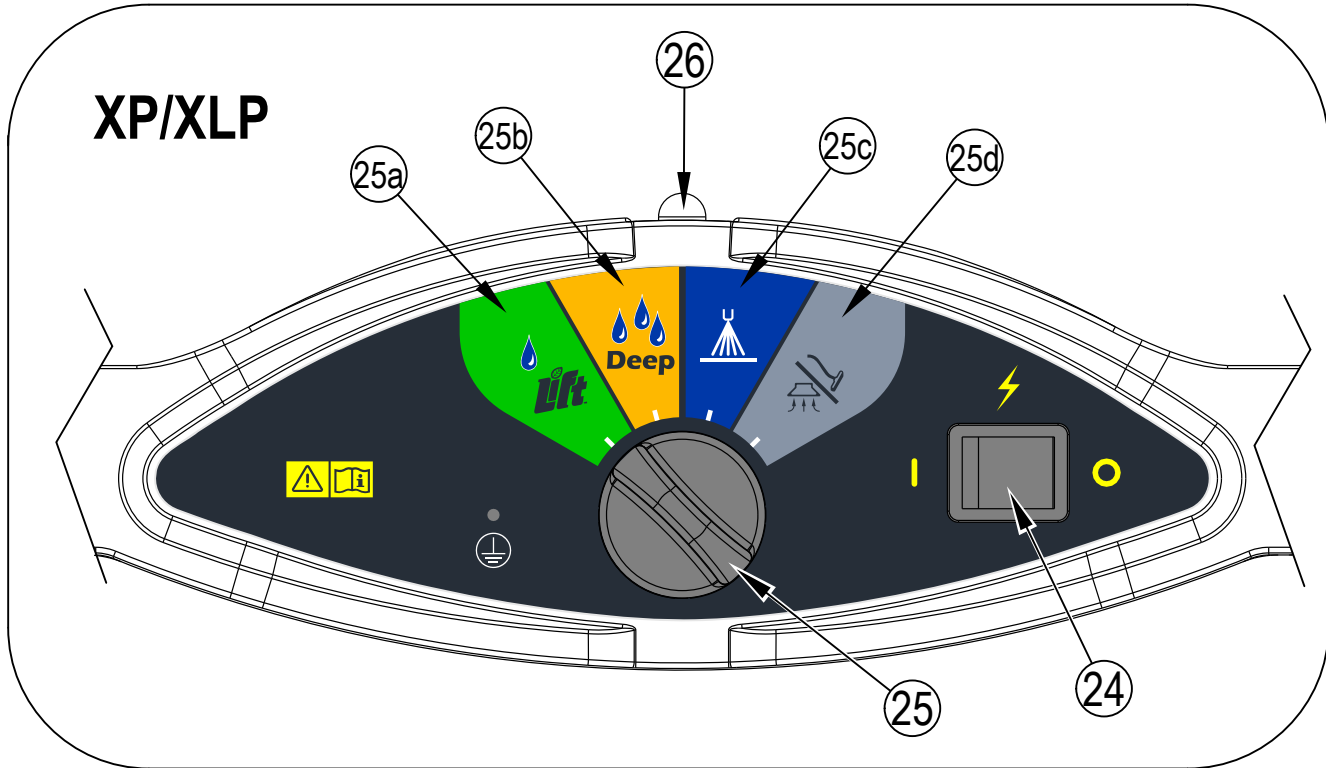
APPRENEZ À CONNAÎTRE VOTRE MACHINE – ES300

- 15 Orifice de solution de l'accessoire
- 16 Cordon d'alimentation
- 17 Mécanisme de blocage du cordon électrique
- 18 Panneau de commande
- 19 Accessoire manuel (optionnel)
- 20 Poignée du réservoir de récupération
- 21 Voyant de niveau / tuyau de vidange de la solution
- 22 Orifice du tuyau d'aspiration de l'accessoire
- 23 Ensemble poignée



APPRENEZ À CONNAÎTRE VOTRE PANNEAU DE COMMANDE

- 24 Interrupteur d'alimentation principal
- 25 Sélecteur de fonction
- 25a Mode de maintenance Lift™
- 25b Mode de restauration du nettoyage en profondeur
- 25c Mode de pré-pulvérisation
- 25d Mode Lance / Accessoire
- 26 Disjoncteur (5 A)
- 27 Commutateur de l'accessoire / l'embout d'aspiration (ST uniquement)



PRÉPARATION DE LA MACHINE À L'UTILISATION

REPLISSAGE DU RÉSERVOIR DE SOLUTION

- 1 Tournez l'interrupteur d'alimentation en position d'arrêt (O), puis débranchez la machine.
- 2 Ouvrez le capot du réservoir de récupération (13). Utilisez la poignée du réservoir de récupération (20) et soulevez le réservoir de récupération de la machine pour le mettre sur le côté.
- 3 Lisez les instructions de dilution figurant sur le récipient du détergent. Calculez ensuite la quantité appropriée de détergent à mélanger par rapport à la capacité en eau du réservoir de solution de votre machine : 34 litres (9 gallons) pour ES300 ou 45 litres (12 gallons) pour ES400.

⚠ ATTENTION !

Utilisez des détergents liquides peu moussants, conçus pour le nettoyage des tapis.

- 4 **Voir Figure 4.** Versez le détergent dans le réservoir de solution et remplissez ce dernier d'eau chaude (température maximale 54°C). Veillez à ne pas faire déborder le réservoir de solution. Le point de remplissage maximal correspond au bas de la lèvre de l'ouverture du réservoir (A).

NOTE : le réservoir de solution dispose d'un porte-tuyau intégré (B) qui peut être utilisé pour fixer l'extrémité du tuyau pendant le remplissage du réservoir.

- 5 Remplacez le réservoir de récupération sur la machine. Veillez à positionner correctement le réservoir de récupération sur le réservoir de solution.
- 6 Remplacez le capot (13) sur le réservoir de récupération.

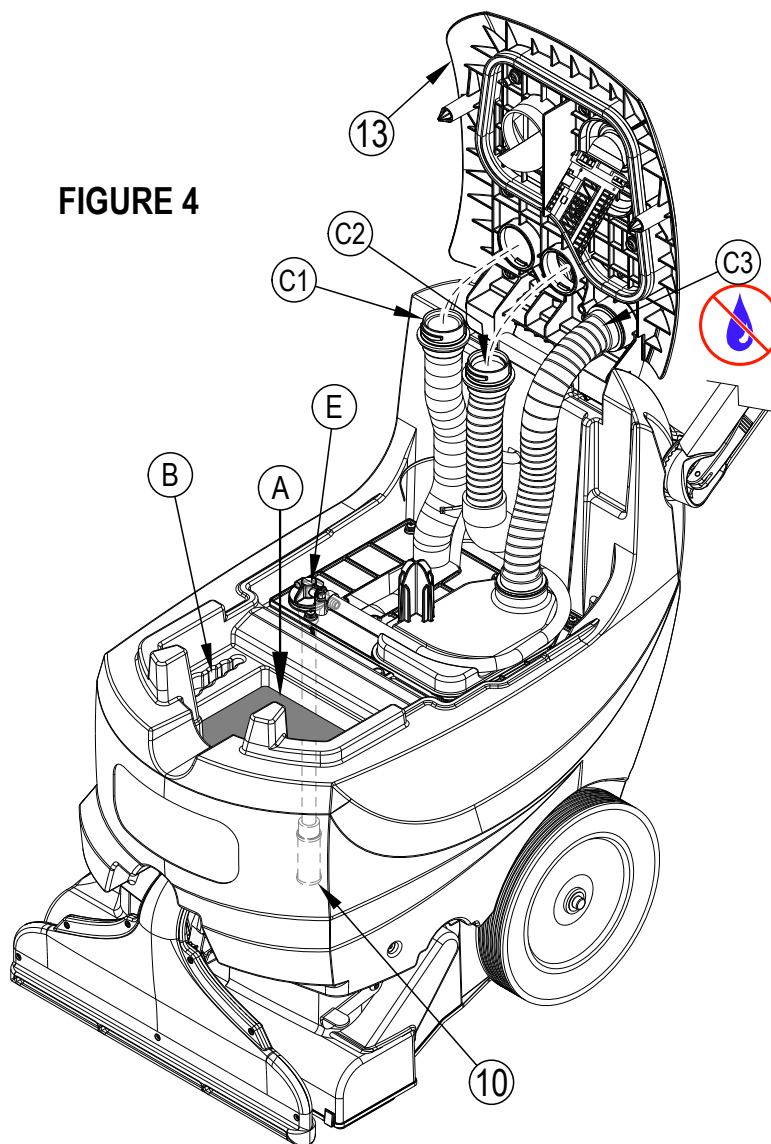
NOTE : les tuyaux (C1, C2 & C3) qui se branchent au capot se fixent en poussant le tuyau dans l'ouverture du capot et en tournant de 1/4 de tour dans le sens horaire pour bloquer.

Tuyau C1 = Tuyau de l'embout d'aspiration

Tuyau C2 = Tuyau de l'accessoire (lance ou accessoire manuel)

Tuyau C3 = Tuyau du moteur d'aspiration (Ne pas laisser d'eau ou de mousse entrer dans ce tuyau)

FIGURE 4



AVANT L'UTILISATION DE LA MACHINE

Aspirez le tapis à nettoyer en profondeur avant d'utiliser l'extracteur automatique.

PRÉ-VAPORISATION DU TAPIS

Pré-vaporisez les taches et les zones de forte circulation avant l'extraction. Utilisez un vaporisateur à main ou pressurisé. Préparez le mélange de pré-vaporisation selon les indications du fabricant de détergents. **NOTE :** les modèles ES400 XLP et ES300 XP comprennent un « Mode de pré-pulvérisation » (25c) ; consultez la section *Fonctionnement de la machine* pour connaître les instructions.

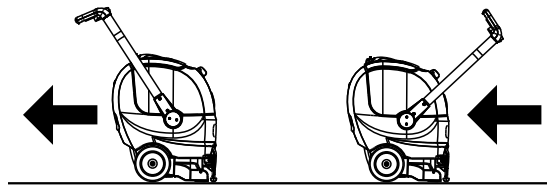
PLANIFICATION DU NETTOYAGE

Avant de commencer l'extraction, examinez la zone à nettoyer et planifiez votre travail. Divisez l'espace en sections. Les passes doivent se chevaucher de 5 cm.

UTILISATION DE LA MACHINE

1 Suivez les instructions de la section *Préparation de la machine à l'utilisation* du présent manuel.

2 **Voir Figure 5.** Tirez sur le levier de déblocage de l'inclinaison de la poignée (5) (au nombre de 2 sur le modèle ES300) pour régler la position de la poignée. Ajustez la hauteur de la poignée à la position la plus confortable pour l'opérateur. Poussez les leviers (5) pour bloquer la poignée en position. **NOTE :** le modèle ES400 peut être utilisé en mode accompagné en tournant la poignée vers le côté de l'embout d'aspiration et en poussant la machine au lieu de la tirer (illustrée à droite).



3 **Modèles XP / XLP :**

Pré-pulvérisation Solution (distribuée pendant l'enfoncement du commutateur), brosse (Marche), aspiration (Arrêt).

-Tournez le sélecteur de fonction (25) sur le mode de pré-pulvérisation (25c).

La pré-pulvérisation peut être utilisée pour verser de la solution et l'agiter avec la brosse sans aspirer la solution.

Extraction Solution (distribuée pendant l'enfoncement du commutateur), brosse (Marche), aspiration (Marche).

-Tournez le sélecteur de fonction (25) sur le mode Maintenance (*Lift*) (25a) ou Restauration (*En profondeur*) (25b).

Mode de maintenance Lift (*Low-moisture, Indirect spray, Fast dry time, True cleaning / Véritable nettoyage à faible humidité, à vaporisation indirecte et à séchage rapide*) (25a) : flux de solution inférieur, recommandé pour un lavage fréquent qui nécessite un temps de séchage plus court.

Mode de restauration du nettoyage en profondeur (25b) : flux de solution plus élevé, recommandé pour des nettoyages à fond moins fréquents.

Modèles ST :

Poussez le commutateur Embout d'aspiration / Accessoire (27) sur la position Embout d'aspiration.

4 Débloquez (enfoncer) le levier de rangement de la brosse (7) afin que la brosse soit en contact avec le sol.

5 Tournez le sélecteur du mode d'aspiration (3) sur la position Embout d'aspiration (3a) pour l'extraction. **NOTE :** vous devez tourner le bouton (3) jusqu'au bout, jusqu'à ce que les flèches pointent l'une vers l'autre, pour obtenir un joint complet.

6 Branchez la machine à une prise de courant correctement reliée à terre. Tournez l'interrupteur principal (24) en position de marche (I) pour démarrer le moteur d'aspiration, la pompe de solution et le moteur des brosses.

7 Appuyez en continu sur l'interrupteur de solution (1) pour distribuer la solution. Quand vous relâchez l'interrupteur de solution (1), le flux de solution cesse de s'écouler.

8 Procédez au nettoyage en tirant la machine le long d'une ligne droite et en veillant à ce que les passes se chevauchent sur environ 5 cm. Relâchez l'interrupteur de solution (1) afin d'assurer une extraction complète de la solution du tapis.

9 Surveillez le liquide entrant au niveau du capot du réservoir de récupération (13). En présence de mousse excessive dans le réservoir de récupération, ajoutez un agent anti-mousse dans ce réservoir.

⚠ ATTENTION !

Videz le réservoir de récupération avant que le fluide ou la mousse ne parvienne pas jusqu'au moteur d'aspiration.

Si la quantité de liquide entrant dans le réservoir de récupération est faible ou inexistante, vérifiez l'indicateur de niveau / tuyau de vidange de solution (21) ; le réservoir de solution est peut-être vide. Remplissez le réservoir de solution avec de l'eau et la quantité correcte de détergent.

10 Le réservoir de récupération est équipé d'un système de fermeture à flotteur automatique (4) qui bloque le système d'aspiration lorsque le réservoir est plein. Une modification soudaine du bruit du moteur d'aspiration vous permet de savoir quand le flotteur bloque le passage. Lorsque le flotteur ferme le réservoir de récupération, ce dernier doit être vidé. La machine peut continuer à distribuer la solution, mais ne ramassera **pas** d'eau avec le flotteur fermé.

11 Lorsque vous souhaitez arrêter de nettoyer ou lorsque le réservoir de récupération est plein, vous devez relâcher l'interrupteur de solution (1). Tournez ensuite l'interrupteur principal en position d'arrêt (O), puis débranchez la machine. Bloquez (tirer) le Levier de rangement de la brosse (7) pour placer la brosse en position de rangement.

12 Conduisez la machine vers un « SITE DE DÉCHARGE » des eaux usées désigné et videz le réservoir de récupération. Pour le vider, tirez le tuyau de vidange du réservoir de récupération (12) de son dispositif de rangement à l'avant, puis enlevez le bouchon (maintenez l'extrémité au-dessus du niveau d'eau du réservoir afin d'éviter tout déversement accidentel d'eaux usées). Remplissez à nouveau le réservoir de solution et poursuivez le nettoyage.

UTILISATION DES ACCESSOIRES

Pour utiliser les accessoires :

1 Tournez le sélecteur du mode d'aspiration (3) sur la position Accessoire (3b) pour les accessoires. **NOTE :** vous devez tourner le bouton (3) jusqu'au bout, jusqu'à ce que les flèches pointent l'une vers l'autre, pour obtenir un joint complet.

2 Fixez le tuyau de récupération de l'accessoire à l'orifice d'aspiration Accessoire (22) de la machine.

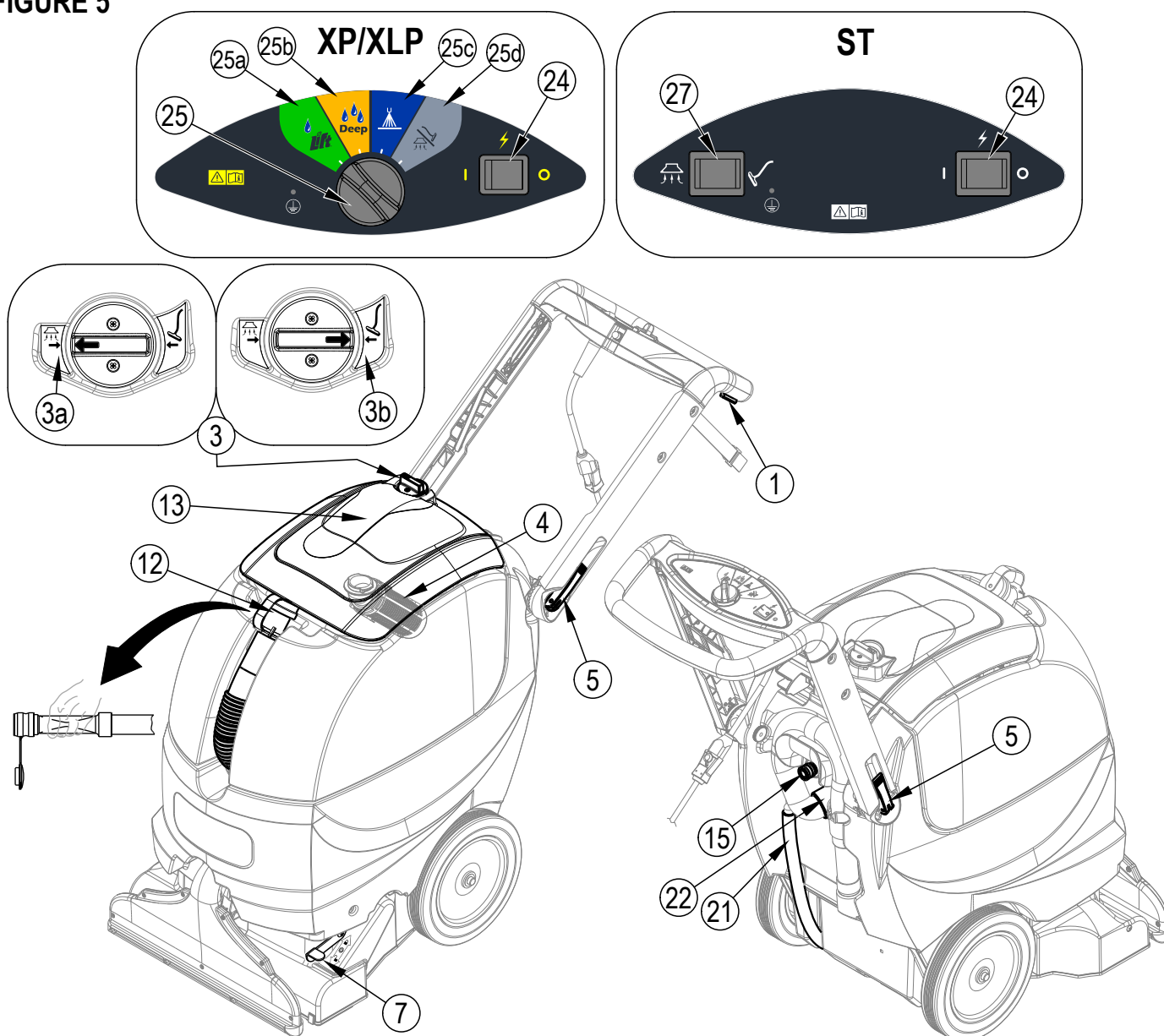
3 Fixez le tuyau de solution de l'accessoire à l'orifice de solution Accessoire (15) de la machine.

4 **Modèles XP / XLP :** Tournez le sélecteur de fonction (25) sur le mode de pré-pulvérisation (25d).

Modèles ST : Placez l'interrupteur Embout d'aspiration / Accessoire (27) sur la position Accessoire.

5 Tournez l'interrupteur principal (24) sur la position de marche (I) pour démarrer le moteur d'aspiration et la pompe de solution. Veuillez contacter votre revendeur Advance pour connaître les accessoires pouvant être utilisés avec les modèles ES300 / ES400.

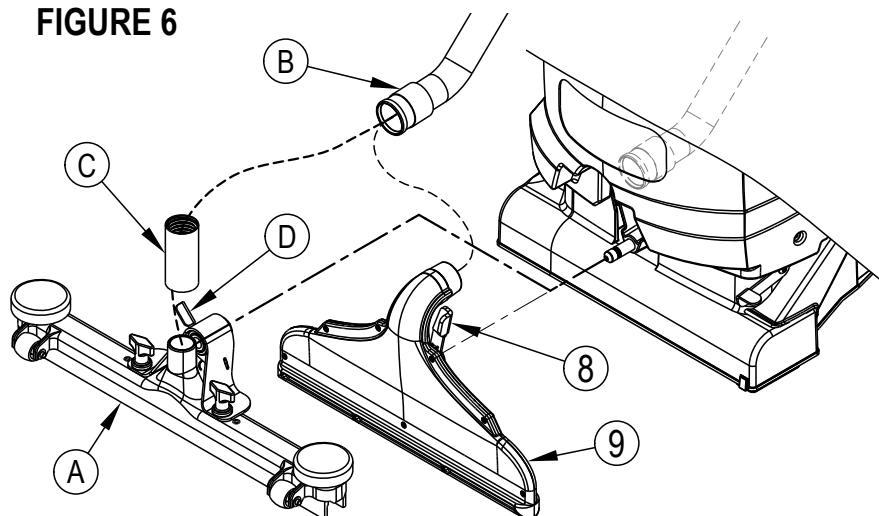
FIGURE 5



KITS POUR SOLS DURS

L'embout d'aspiration peut être enlevé et remplacé par une raclette (A) (en option) pour sols durs. Voir Figure 6. Maintenez enfoncé le levier de déblocage de l'embout d'aspiration (8) et retirez l'embout d'aspiration (9) en le faisant glisser de sa goupille de fixation. Ensuite, débranchez le tuyau de récupération (B) de l'embout d'aspiration et branchez-le au raccord du tuyau (C), puis à la raclette (A). Montez la raclette sur la machine au même emplacement que l'embout d'aspiration : il suffit de pousser le levier de déblocage (D) et de glisser la raclette en place. **NOTE** : il peut s'avérer nécessaire d'utiliser une brosse différente pour les sols durs. Le guide de sélection de la brosse et les références se trouvent dans la liste des pièces.

FIGURE 6



APRÈS L'UTILISATION DE LA MACHINE

- 1 Mettez l'interrupteur principal en position d'arrêt (O). Débranchez le cordon d'alimentation (16). Enroulez le cordon et suspendez-le à l'attache de retenue du cordon (14).
- 2 Pour vider le réservoir de récupération, retirez le tuyau de vidange (12) de son dispositif de rangement. Dirigez le tuyau de vidange vers un « SITE DE DÉCHARGE » des eaux usées désigné et enlevez le bouchon (maintenez l'extrémité au-dessus du niveau d'eau du réservoir afin d'éviter tout déversement accidentel et incontrôlable des eaux usées). Rincez le réservoir à l'eau claire. Vérifiez les tuyaux de récupération et d'aspiration, et remplacez-les s'ils sont endommagés ou présentent une quelconque anomalie.
- 3 Pour vider le réservoir de solution, retirez le tuyau de vidange (21) de son dispositif de rangement. Dirigez le tuyau vers un « SITE DE DÉCHARGE » des eaux usées désigné. Rincez le réservoir à l'eau claire. Vérifiez les tuyaux de solution et remplacez-les s'ils sont endommagés ou présentent une quelconque anomalie.
- 4 Retirez la brosse, rincez-la à l'eau chaude et enlevez tous les fils, cheveux et fibres de tapis amassés.
- 5 Débranchez les tuyaux de récupération C1 et C2 (Voir Figure 4) du capot du réservoir de récupération (13) et rincez à l'eau chaude pour évacuer tous les débris du tuyau de récupération et de l'embout d'aspiration. Ne rincez pas le tuyau C3 car il est branché au moteur d'aspiration.
- 6 Essuyez la machine avec un chiffon humide. N'utilisez pas de produits chimiques abrasifs ou de solvants.
- 7 Avant de ranger la machine, effectuez toutes les tâches d'entretien nécessaires. Consultez le *Programme d'entretien*.
- 8 Rangez la machine à l'intérieur, dans un endroit propre et sec, le capot du réservoir étant ouvert. Maintenez-la à l'abri du gel.
- 9 Mettez la machine en position de stockage. Cela empêchera la brosse de s'abîmer et augmentera la durée de vie de la brosse tout en conservant son efficacité. Soulevez le levier de rangement de la brosse (7) jusqu'à ce qu'il se bloque en position de rangement.

PROGRAMME D'ENTRETIEN

ÉLÉMENT	Tous les jours	Toutes les semaines	Tous les ans
Vérification / nettoyage de la brosse mécanique	X		
Vérification / nettoyage des réservoirs et tuyaux	X		
Vérification / nettoyage du système de fermeture à flotteur de l'aspiration	X		
Nettoyage de l'embout d'aspiration	X		
Nettoyage du gicleur de « maintenance »		X	
Inspection et nettoyage du filtre de solution		X	
*Rinçage du système de solution avec une solution au vinaigre			X
**Vérification des balais de carbone			X

* Une fois par an ou après 300 heures de fonctionnement, rincez la machine avec un mélange de vinaigre blanc (un quart [0,94 L] de vinaigre pour deux gallons [7,57 l] d'eau). Cela évitera l'accumulation de résidus alcalins dans le système de solution.

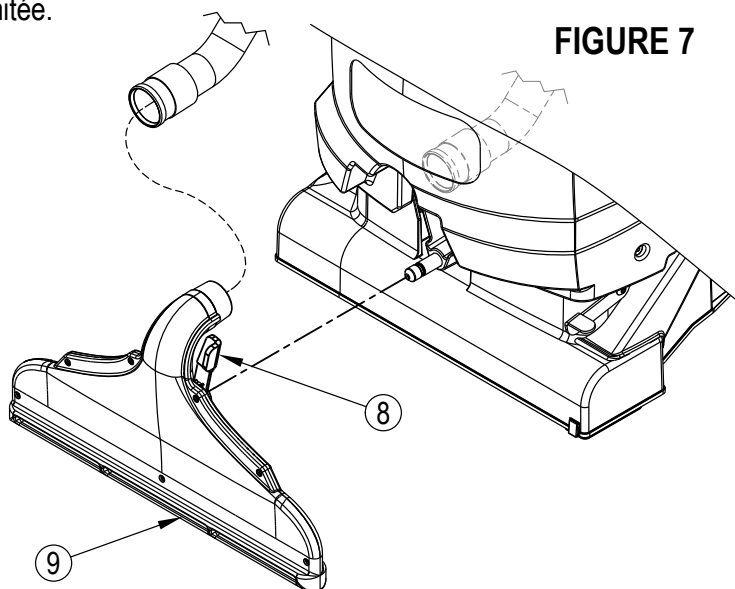
** Demandez à un technicien d'entretien Advance de vérifier les balais de carbone du moteur d'aspiration une fois par an ou toutes les 300 heures de fonctionnement. Les balais de carbone des moteurs de brosse doivent être vérifiés une fois par an ou toutes les 500 heures de fonctionnement.

⚠ IMPORTANT !

Les dommages occasionnés au moteur suite à un manque d'entretien des balais de carbone ne sont pas couverts par la garantie. Consultez la Déclaration de responsabilité limitée.

ENTRETIEN DE L'EMBOUIT D'ASPIRATION

Vérifiez l'embout d'aspiration chaque jour. Enlevez tous les fils, cheveux et fibres de tapis accumulés. Voir Figure 7. Maintenez enfoncé le levier de déblocage de l'embout d'aspiration (8) et retirez l'embout d'aspiration (9) en le faisant glisser de sa goupille de fixation. Débranchez ensuite le tuyau de récupération de l'embout d'aspiration.



ENTRETIEN DU GICLEUR

Retirez le gicleur de maintenance (A) une fois par semaine. Voir Figure 8. Tournez le gicleur de 1/4 de tour en sens horaire inverse pour le démonter. Laissez tremper le gicleur toute une nuit dans du vinaigre afin d'éliminer les dépôts chimiques. N'utilisez pas une broche, un fil ou autre objet similaire pour nettoyer le gicleur car le modèle de pulvérisation pourrait être détruit.

ENTRETIEN DU FILTRE DE SOLUTION

Une fois par semaine (ou plus souvent si nécessaire), inspectez et nettoyez le filtre de solution (10). Vidangez les réservoirs de récupération et de solution. Soulevez le réservoir de récupération de la machine et déplacez-le sur le côté. Voir Figure 4. Laissez le tuyau de solution branché et tournez le filtre (E) de 1/4 de tour en sens horaire inverse pour le desserrer. Tirez le filtre en ligne droite pour le sortir du réservoir de solution. Réinstallez après le nettoyage en suivant les étapes dans l'ordre inverse.

ENTRETIEN DU CORDON ÉLECTRIQUE

Une fois par semaine (ou plus souvent si nécessaire), vérifiez le cordon d'alimentation : la gaine ne présente aucune craquelure ou autre dommage ; aucun fil n'est dénudé dans le cordon ou la fiche ; les broches ne sont pas endommagées et la broche de mise à la terre est présente. Remplacez **immédiatement** le cordon ou la prise s'ils sont endommagés.

ENTRETIEN DE LA BROSSÉ MÉCANIQUE

Vérifiez la brosse chaque jour. Enlevez tous les fils, cheveux et fibres de tapis accumulés. Lorsque vous n'utilisez pas la machine, mettez-la en position de stockage. Cela empêchera la brosse de s'abîmer et augmentera la durée de vie de la brosse tout en conservant son efficacité.

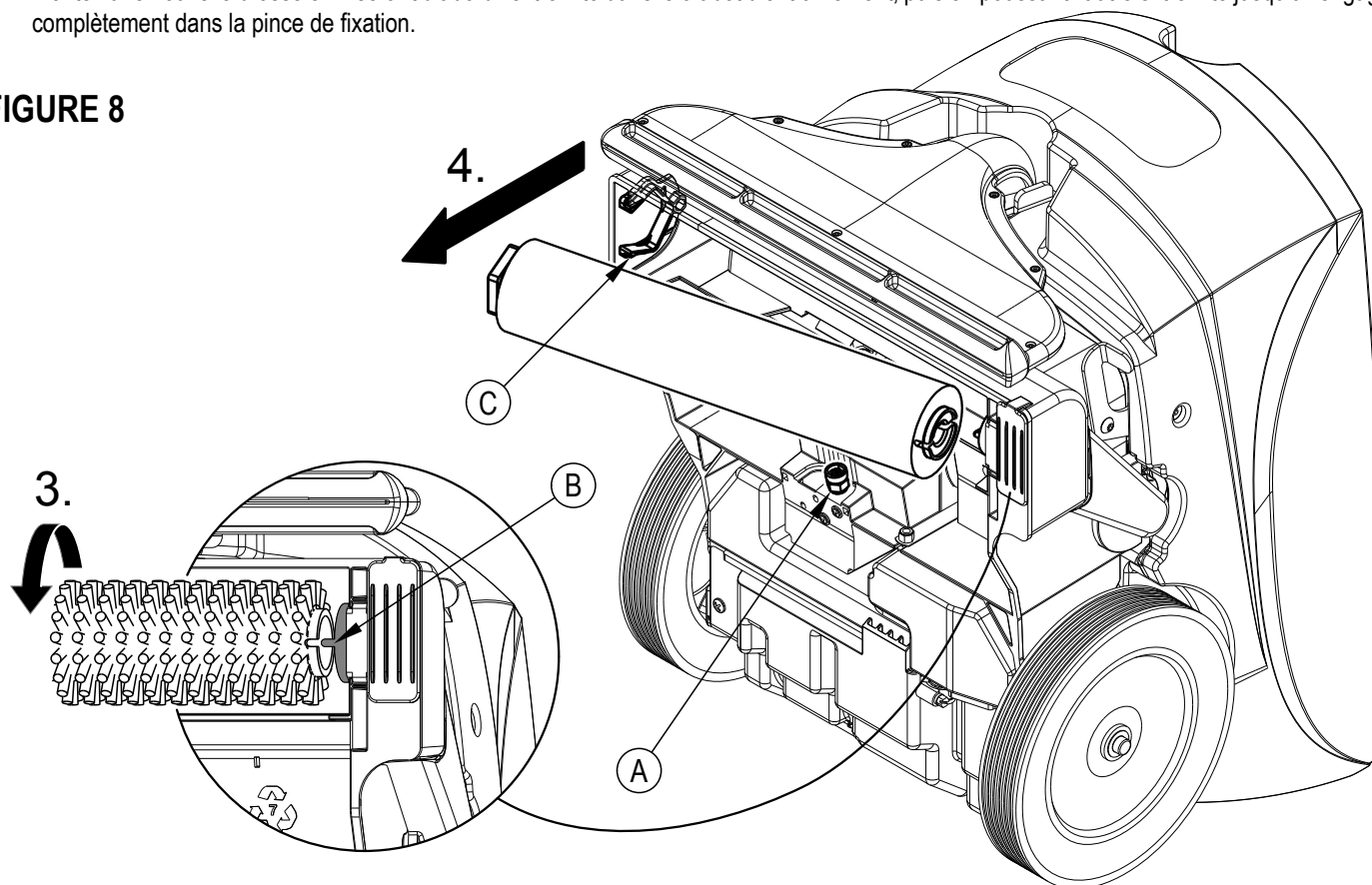
DÉMONTAGE DE LA BROSSÉ

⚠ ATTENTION !

Tournez l'interrupteur d'alimentation en position d'arrêt (O) avant de changer les brosses.

- 1 Videz à la fois les réservoirs de récupération et de solution. Ouvrez le capot du réservoir de récupération. Soulevez le réservoir de récupération de la machine et déplacez-le sur le côté.
- 2 Placez l'ensemble poignée (23) en position verticale et basculez la machine sur sa face arrière.
- 3 Voir Figure 8. Faites tourner la brosse de sorte que le crabot d'entraînement (B) se trouve dans une position où ses ailettes sont parallèles au sol.
- 4 Saisissez la brosse par l'extrémité engagée dans la pince de fixation (C) et tirez fermement pour dégager la brosse.
- 5 Montez une nouvelle brosse en insérant d'abord l'extrémité dans le crabot d'entraînement, puis en poussant l'autre extrémité jusqu'à l'engager complètement dans la pince de fixation.

FIGURE 8



DÉPANNAGE

Si les causes énumérées ci-dessous ne sont pas à l'origine du problème, vous êtes confronté à une panne plus sérieuse. Contactez immédiatement le centre d'assistance Advance.

DÉCLENCHEMENT DU DISJONCTEUR

Le disjoncteur (26) se trouve sur le panneau de commande ; il protège le circuit électrique et le moteur de la brosse contre les dommages provoqués par des conditions de surcharge. Si le disjoncteur se déclenche, essayez d'en déterminer la cause.

Disjoncteur de la brosse (5 A). Causes probables :

- 1 Des débris sont enroulés autour de l'entraînement de la brosse (enlevez les débris)
- 2 Court-circuit électrique (appelez le centre de service Advance ou un électricien qualifié pour qu'il vérifie la machine)

Une fois le problème résolu, appuyez sur le bouton pour réenclencher le disjoncteur. Si le bouton ne reste pas enclenché, attendez 5 minutes, puis essayez à nouveau. Si le disjoncteur se déclenche plusieurs fois de suite, contactez le centre d'assistance Advance.

MAUVAISE RÉCUPÉRATION DE L'EAU

Causes probables :

- 1 Le sélecteur du mode d'aspiration (3) est réglé sur la mauvaise position ou est mal enfoncé (tournez complètement le sélecteur pour l'aligner avec l'icône fléchée)
- 2 Le réservoir de récupération est plein (videz le réservoir de récupération)
- 3 Le sélecteur de fonction (25) est en mode de pré-pulvérisation (25c) ou Lance / Accessoire (25d) pendant lequel le moteur d'aspiration est arrêté (tournez le sélecteur dans une des positions d'extraction (25a ou 25b))
- 4 Ouvrez le tuyau de vidange du réservoir de récupération (vérifiez ou remplacez le bouchon du tuyau de vidange)
- 5 Le tuyau de récupération n'est pas branché à l'embout d'aspiration (branchez le tuyau à l'embout d'aspiration)
- 6 Les tuyaux de récupération ne sont pas branchés aux bons orifices du capot (branchez les tuyaux aux orifices corrects)
- 7 Le tuyau de récupération est tordu ou endommagé (remplacez le tuyau)
- 8 Des débris sont coincés dans l'embout d'aspiration, dans le levier du sélecteur de mode ou dans le tuyau de récupération (nettoyez l'embout d'aspiration, le sélecteur de mode et le tuyau de récupération)
- 9 Fuite au niveau du joint du capot du réservoir de récupération (remplacez le joint)
- 10 Le joint sur le levier du sélecteur de mode est usé ou manquant (remplacez le joint)

FLUX DE SOLUTION INADÉQUAT

Causes probables :

- 1 Le réservoir de solution est vide (remplissez le réservoir de solution)
- 2 Les conduites ou le filtre de solution sont colmatés (rincez les conduites et le filtre)
- 3 La conduite de solution n'est pas branchée au filtre (branchez la conduite de solution)
- 4 Le gicleur est encrassé (nettoyez le gicleur)

MATRICE DU SÉLECTEUR DE FONCTION (ES300 XP & ES400 XLP)

La matrice suivante illustre les fonctions qui sont active « X » en fonction de chaque position du Sélecteur de fonction (25). Elle peut être utile pour le dépannage.




Position (25a)	Position (25b)	Position (25c)	Position (25d)	Fonction de la machine
X	X		X	Aspiration
	X	X		Solution (Gicleur de restauration)
X				Solution (Gicleur de maintenance)
X	X	X		Brosse

ACCESSOIRES / OPTIONS

En plus des composants standard, la machine peut être équipée des options / accessoires suivants, en fonction de son utilisation spécifique.

- Brosses avec des poils plus durs ou plus souples
- Accessoire manuel pour les tissus d'ameublement
- Différentes options de lances et de tuyaux

SPÉCIFICATIONS TECHNIQUES (TELLES QU'INSTALLÉES ET TESTÉES SUR L'UNITÉ)

Modèle		Avance ES400 XLP	Avance ES300 XP	Avance ES300 ST
N° de modèle		56265501	56265500	56265502
Tension / fréquence	V/Hz	120 / 50-60	120 / 50-60	120 / 50-60
Courant nominal	A	14,9	14,5	14,5
Classe de protection (électrique)				
Niveau de protection		--	--	--
Niveau de pression sonore CEI 60335-2-72 : Modif. 2002 1:2005, ISO 11201	dB(A)/20µPa	68	68	68
Niveau de pression sonore - KpA (CEI 60335-2-72, ISO 11201) Incertitude	dB(A)	3	3	3
Vibrations au niveau des commandes manuelles (ISO 5349-1)	m/s ²	1,8	1,8	1,8
Vibrations au niveau des commandes manuelles (ISO 5349-1) - Incertitude	m/s ²	0,2	0,2	0,2
Largeur de la machine	pouce / cm	22,75 / 57,7	19,25 / 48,9	19,25 / 48,9
Hauteur minimum de la machine avec poignée ajustable	pouce / cm	35,25 / 81,9	32 / 81,3	32 / 81,3
Hauteur maximum de la machine avec poignée ajustable	pouce / cm	56,5 / 143,5	46,5 / 118	46,5 / 118
Longueur minimum de la machine avec poignée ajustable	pouce / cm	29,25 / 74,3	28 / 71,1	28 / 71,1
Longueur maximum de la machine avec poignée ajustable	pouce / cm	51 / 129,5	48,25 / 122,5	48,25 / 122,5
Capacité du réservoir de solution	Gallon / L	12 / 45	9 / 34	9 / 34
Capacité du réservoir de récupération	Gallon / L	12 / 45	7 / 26	7 / 26
Poids brut*	livres / kg	118 / 53,5	106 / 48	102 / 46,3

Composition des matériaux et recyclabilité

Type	% du poids de la machine	% recyclable
Aluminium	5 %	100%
Système électrique / moteurs électriques / moteurs – divers	23%	39%
Métaux ferreux	3%	100%
Faisceaux / câbles	1%	83%
Liquides	0%	0%
Plastique – non recyclable	10%	0%
Plastique – recyclable	10%	100%
Polyéthylène	42%	90%
Caoutchouc	7%	33%



9435 Winnetka Ave North
Minneapolis, MN 55445
www.advance-us.com
Phone: 800-989-2235
Fax: 800-989-6566
©2016 Nilfisk, Inc.

A Nilfisk Brand