

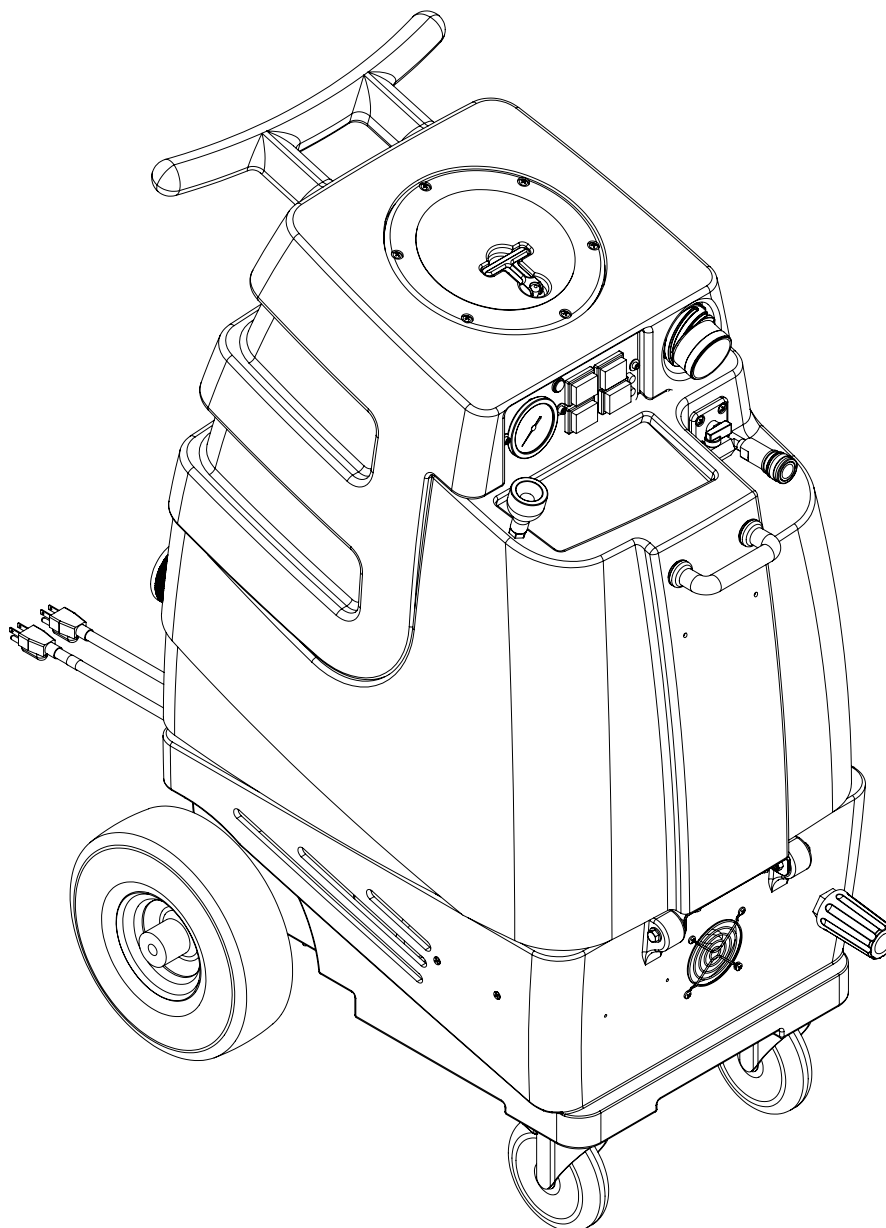
Instructions for 1000DX-200, 1001DX-200, 1003DX, 1005DX Speedster®



Please read before use.



Register your product
at <http://www.mytee.com/support/register>



[General Information p.2](#)

[1000DX-200 p.5](#)

[1001DX-200 p.11](#)

[1003DX p.17](#)

[1005DX p.23](#)

Model # _____

Serial # _____

Form # ADP-Speedster

5-17

GENERAL INFORMATION

Dear Customer:

Congratulations on the purchase of your new Speedster® Extractor. As you are already aware, the scene of the equipment world is becoming more high tech, and we at Mytee Products Inc. strive to keep you on the cutting edge with superior quality and technology.

Keep in mind that the Speedster® Extractor is a machine, so neglect or abuse will cause unnecessary damage and void the warranty. However with simple maintenance the Speedster® will give quality performance for many years to come.

If warranty questions arise, please consult user manual or get in touch with your distributor. If you have questions about maintenance, replacing parts or ordering parts, please call an authorized Mytee Products Inc. Service Center. To see an updated list, visit our website at www.mytee.com

Before you begin using, please read your manual thoroughly.

Sincerely,
Mytee Customer Care Dept.

Grounding Instructions

This machine must be grounded. If it should malfunction or breakdown, grounding provides a path of least resistance for electrical shock. This machine is equipped with a cord having an equipment-grounding conductor and grounding plug. The plug must be plugged into an appropriate outlet that is properly installed in accordance with all local code and ordinances. Do not remove ground pin; if missing, replace plug before use.



DANGER

Improper connection of the equipment-grounding conductor can result in a risk of electric shock. Check with a qualified electrician or service person if you are in doubt as to whether the outlet is properly grounded. Do not modify the plug provided with the machine. If it will not fit the outlet, have a proper outlet installed by a qualified electrician.

This appliance is for use on a nominal 120-volt circuit, and has a grounding plug that looks like the plug illustrated in Figure 1 below. A temporary adapter illustrated in Figures 2 and 3 may be used—to connect this plug to a 2-pole receptacle as shown in Figure 2 if a properly grounded outlet is not available. The temporary adapter should be used only until a properly grounded outlet (Figure 1) can be installed by a qualified electrician. The green colored rigid ear, tab or the like extending from the adapter must be connected to a permanent ground such as a properly grounded outlet box cover. Whenever the adapter is used, it must be held in place by a metal screw. Grounding adapters are not approved for use in Canada.

Replace the plug if the grounding pin is damaged or broken.

The Green (or GreenYellow) wire in the cord is the grounding wire. When replacing a plug, this wire must be attached to the grounding pin only.

DO NOT use extension cords.

Please Note for America use only

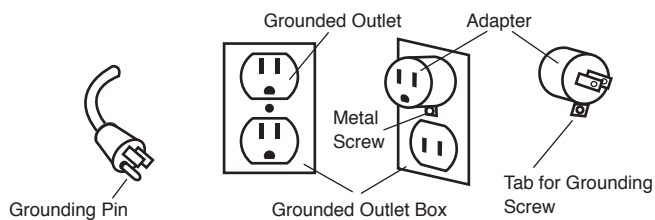


Figure 1

Figure 2

Figure 3

Parts and Service

Repairs, when required, should be performed by Mytee service personnel or Mytee authorized Service Center using Mytee original replacement parts and accessories. Call Mytee for repair parts or service. Please

specify the Model and Serial Number when discussing your machine.

Name Plate

The Model and Serial Number of your machine are shown on the name plate located on the inside of the machine. This information is needed when ordering repair parts for the machine. Use the space provided on the front cover to note the Model and Serial Number of your machine for future reference.

Unpacking the Machine

When the machine is delivered, carefully inspect the shipping carton and the machine for damage. If damage is evident, save the shipping carton so that it can be inspected by the carrier that delivered it. Contact the carrier immediately to file a freight damage claim.

Caution and Warnings

Symbols

Mytee uses the symbols below to signal potentially dangerous conditions. Always read this information carefully and take the necessary steps to protect personnel and property.



DANGER

Is used to warn of immediate hazards that will cause severe personal injury or death.



WARNING

Is used to call attention to a situation that could cause severe personal injury.



CAUTION

Is used to call attention to a situation that could cause minor personal injury or damage to the machine or other property. When using an electrical appliance, basic precautions should always be followed, including the following: Read all instructions before using this machine. This product is intended for commercial use only.



WARNING

To reduce the risk of fire, electrical shock, or injury:

1. Read all instructions before using equipment.
2. Use only as described in this manual. Use only manufacturer's recommended attachments.
3. Always unplug power cord from electrical outlet before attempting any adjustments or repairs.
4. Do not unplug by pulling on cord. To unplug, grasp the plug, not the cord.
5. Do not pull or carry by cord. Do not close a door on cord or pull cord around sharp edges or corners.
6. Do not run appliance over cord. Keep cord away from heated surfaces.
7. Do not use with damaged cord or plug. If cord is damaged, repair immediately.
8. Do not use outdoors or on wet surfaces and or standing water.
9. Always unplug or disconnect the appliance from power supply when not in use.
10. Do not allow to be used as a toy. Close attention is necessary when used by or near children.
11. Do not use in areas where flammable or combustible material may be present.
12. Do not leave the unit exposed to harsh weather elements. Temperatures below freezing may damage components and void warranty.
13. Use only the appropriate handles to move and lift unit. Do not use any other parts of this machine for this purpose.
14. Keep hair, loose clothing, fingers, and all parts of the body away from all openings and moving parts.
15. Use extra care when using on stairs.
16. To reduce the risk of fire or electric shock, do not use this machine with a solid-state speed control device.

GENERAL INFORMATION

17. The voltage and frequency indicated on the name plate must correspond to the wall receptacle supply voltage.
18. When cleaning and servicing the machine, local or national regulations may apply to the safe disposal of liquids which may contain: chemicals, grease, oil, acid, alkalines, or other dangerous liquids.
19. Do not leave operating unattended.

Preparation

1. Remove furniture and other items from the area you are going to clean.
2. Vacuum carpet and upholstery, and remove debris.
3. Protect cabinets, walls and painted surfaces with drop cloths or plastic.
4. Inspect power cords for damages.

Operating Instructions

1. Fill the solution tank.
2. Attach one end of a solution hose to a wand or other tool, the other end to the Speedster's® front quick disconnect.
3. Attach one end of a vacuum hose to the tool, the other end to the Speedster's® Cuff-Lynx™ vacuum hose port.

4. Plug in power cords.
• 1000DX-200 models – Plug single cord into single, 20A grounded wall outlet.

• 1001DX-200 models – Using two separate circuits/breakers, plug the left power cord into 20A grounded wall outlet to turn on Vac 2 and Heater 2. Plug the right power cord into separate 20A grounded wall outlet to turn on Vac 1, Heater 1 and Pump.

• 1003DX models – Using two separate circuits/breakers, plug the left power cord into 20A grounded wall outlet to turn on Vac 2 and Heater 2. Plug the right power cord into separate 20A grounded wall outlet to turn on Vac 1, Heater 1 and Pump.

• 1005DX models – Using two separate circuits/breakers, plug the left power cord into 20A grounded wall outlet to turn on Vac 2. Plug the right power cord into separate 20A grounded wall outlet to turn on Vac 1 and Pump.

The amber light indicator on the switch plate will illuminate brightly when cords are plugged into two separate circuits. Do not use extension cords longer than 50 feet.

5. Turn on switches.
• 1000DX-200, 1005DX models – Turn on Vac 1, Vac 2 and Pump switches.

• 1001DX-200 and 1003DX – Turn on Vac 1, Vac 2 and Pump switches. Turn on Heater switch if heat is being used. Wait several minutes for water to heat. Heater switch has three positions: Off (middle); 1,000 watts using one heater (left); and 2,000 watts using two heaters (right). Red lights on panel display indicate watts selected: one light = 1,000 watts; two lights = 2,000 watts; no lights = heaters are off.

6. 1003DX and 1005DX models – Prime Valve and Pressure Regulator are located on the lower front of the extractor. To prime the pump, turn the valve to the Prime position for 30 seconds, then turn horizontally to the Run position. Turn the Pressure Regulator to the left to decrease the water pressure. Turn to the right to increase water pressure. Level will be visible on the pressure gauge. Monitor while adjusting, using Pressure Gauge on Switch Panel.

7. Begin cleaning. Make two dry passes to every wet pass. Work away from cords to avoid damage. To clean heavily soiled areas, repeat cleaning from a different direction.

8. Use a foam control solution in the recovery tank to prevent motor damage and check for foam build-up in recovery and solution tanks.

9. Empty the recovery tank whenever you need to refill the solution tank. Attach the 45° drain elbow to the drain spout in back. Lift up the dump valve and empty tank.

10. To relieve water pressure from the solution hose before disconnecting it, squeeze the tool's trigger five seconds after turning the power switches off.

11. Once machine is off, unplug power cords. Remove solution and vacuum hoses. Empty the recovery tank.

12. 1003DX and 1005DX models – Water remaining in the solution tank can be emptied by turning the Prime Valve to the right to move water into the recovery tank. Empty recovery tank.

Please note: Your pump features a pressure switch, to protect vital components. A minimum spray jet size of 02 needed for use with this pump. Using a jet size smaller than this can cause back-pressure to the pump, leading to an over-heat condition. Make sure that your tool has a jet size of 02 or larger prior to use.

After Use

1. Before storing machine, drain, rinse and dry tanks and vacuum hose of water and solution.
2. Store in a dry area in the upright position.
3. Open recover tank cover to promote air circulation.
4. Store indoors in a dry area. If storing in freezing temperatures, make sure the machine and solution system are completely drained and dry.

Maintenance Schedule

Latches are located in back to open tank for internal maintenance. To keep machine in good working condition, follow machine's daily and weekly maintenance procedures. Check valves and relief valves should be replaced annually.

Maintenance item	Daily	Once a week
Clean and inspect tanks.	x	
Clean and inspect hoses.	x	
Check and clean internal filters by twisting off, rinsing with clean water and replacing.	x	
Check power supply cable.	x	
Clean machine with all-purpose cleaner and cloth.	x	
Check spray nozzles.	x	
Flush solution system with Mytee® System Maintainer.		x
Remove and float shut-off screen from tank and clean. Simply pull off.		x
Inspect vacuum hoses for holes and loose cuffs.		x
Inspect spray pattern for clogging. If clogged, remove spray tips and soak them in a recommended liquid neutralizer for up to six hours. To remove spray tip, twist spray tip body counter-clockwise.		x
Lubricate wheels with water resistant oil.		x
Inspect machine for water leaks and loose hardware.		x

Troubleshooting

There is no power.

- Plug the machine into proper outlets.
- If using two cords, make sure that each is plugged into a separate circuit.
- Check the circuit breaker. Other devices should not run on the same circuit as the extractor. Use a 20 amp outlet.

Pump does not work properly.

- Make sure solution disconnects are properly connected.
- Check solution tank. May be empty.
- The system could be vapor locked, which results from activating the heater before the pump. Release pent-up pressure by removing extractor outlet disconnect, or by depressing the disconnect inner poppet valve using a dull plastic object (such as a pen). Resume operation using proper technique outlined in this manual.
- Jets may be clogged. Remove jet and flush clean.
- Filters clogged. Remove filters, clean, and flush with water.
- Heater may be partially blocked. Flush system with System Maintainer.
- Inspect heater check valve (if machine is equipped with heater). Replace if necessary.
- Check pump wire(s). Reconnect or replace when necessary.
- Check panel switch. Replace if faulty.
- Worn pump motor brushes (if equipped). Replace pump motor.

GENERAL INFORMATION

- Refer to relevant in-depth troubleshooting information in “Technical Support” section of Mytee website, for specific pump type. <http://www.mytee.com/support/>.

Heater does not function (if equipped).

- Check manual sensor on heater (reset by pressing button on sensor). Replace if non-functional.
- Check panel switch. Replace if necessary.
- Check automatic sensor (check for continuity when cool). Replace if found faulty.
- Heating element may have failed. Replace. Check using amp meter when heater is engaged independently.
- Reconnect heater wire if disconnected.
- Refer to relevant in-depth troubleshooting information in “Technical Support” section of Mytee website. <http://www.mytee.com/support/>.

Vacuum motor does not function properly.

- Check that all vacuum hoses are tightly connected.
- Close recovery tank drain valve completely.
- Secure the vacuum tank lid tightly.
- Hose/tool blockage or leakage. Repair or unblock the tool or hose.
- Secure the vacuum tank lid tightly.
- Grinding noise from blower indicates impeller failure from debris, dry vacuuming, or over filling/foaming. Replace vacuum motor.
- Worn motor brushes. Replace vacuum motor.

Vacuum motor exhaust is venting water or foam.

- Check for recovery tank foaming. Use defoamer. Never use a foaming detergent to clean.
- Make sure recovery tank is not overfilling. Make sure ball float mechanism is functioning.
- Vacuum port boot may be turned in improper direction (if equipped). Rotate to direct flow away from vacuum stack.

THE FOLLOWING APPLIES TO BRAND NEW MACHINES:

Pump system will not flow water (heated units with diaphragm pump).

- The system could be vapor locked, which results from activating the heater before the pump. Release pent-up pressure by removing extractor outlet disconnect, or by depressing the disconnect inner poppet valve using a dull plastic object (such as a pen). Resume operation using proper technique outlined in this manual.
- Hanging heater check valve. Remove hose to heater check valve and manually manipulate the internal valve poppet ball with a straightened paper clip. Replace hose to test. Replace faulty check valve.

Unit is tripping circuit breakers.

- Ensure that only 20 amp circuits are being used.
- Use only a cord approved for the machine.
- Do not add any extension cords to those cords supplied for use with extractor.
- Dual cord units must be connected to separate circuits, not just separate outlets.
- Faulty component may be drawing excessive amperage. Check each component separately with an amp meter.
- Faulty circuit breaker at site (use another outlet).

1000DX-200 Specifications

Solution Tank	10 gallons
Recovery Tank	9 gallons
Vacuum	Dual 3-stage low amp
CFM	200
Water Lift	130"
Pump PSI	220
Pump GPM	1.35
Power Consumption	20 amps @ 115V 60Hz

Machine Weight	87 lbs.
Machine Dimensions	28" x 18.5" x 39"
Power Cord	50' 12/3 extension cord

1000DX-200 230V Configuration Information

Model Number	1000DX-200-230
Power Consumption	10 amps @ 230V 60Hz/50Hz

1001DX-200 Specifications

Solution Tank	10 gallons
Recovery Tank	9 gallons
Vacuum	Dual 3-stage low amp
CFM	200
Water Lift	130"
Pump PSI	220
Pump GPM	1.35
Heater	2,000W - 210° max.
Power Consumption	Cord 1: 20 amps @ 115V 60Hz Cord 2: 18 amps @ 115V 60Hz
Machine Weight	120 lbs.
Machine Dimensions	28" x 18.5" x 39"
Power Cord	Dual 50' 12/3 extension cords

1001DX-200 230V Configuration Information

Model Number	1001DX-200-230
Power Consumption	Cord 1: 9 amps @ 230V 60Hz/50Hz Cord 2: 8 amps @ 230V 60Hz/50Hz

1003DX Specifications

Solution Tank	10 gallons
Recovery Tank	9 gallons
Vacuum	Dual 3-stage low amp
CFM	200
Water Lift	130"
Pump PSI	0-500
Pump GPM	1.5
Heater	1,600W - 210° max.
Power Consumption	Cord 1: 20 amps @ 115V 60Hz Cord 2: 20 amps @ 115V 60Hz
Machine Weight	127 lbs.
Machine Dimensions	28" x 18.5" x 39"
Power Cord	Dual 50' 12/3 extension cords

1003DX 230V Configuration Information

Model Number	1003DX-230
Power Consumption	Cord 1: 12 amps @ 230V 60Hz/50Hz Cord 2: 10 amps @ 230V 60Hz/50Hz

GENERAL INFORMATION

1005DX Specifications

Solution Tank	10 gallons
Recovery Tank	9 gallons
Vacuum	Dual 3-stage high performance
CFM	230
Water Lift	144"
Pump PSI	0-500
Pump GPM	1.5
Power Consumption	Cord 1: 20 amps @ 115V 60Hz Cord 2: 14 amps @ 115V 60Hz
Machine Weight	115 lbs.
Machine Dimensions	28" x 18.5" x 39"
Power Cord	Dual 50' 12/3 extension cords

1005DX 230V Configuration Information

Model Number	1005DX-230
Power Consumption	Cord 1: 10 amps @ 230V 60Hz/50Hz Cord 2: 7 amps @ 230V 60Hz/50Hz

FAQs

Q: What comes standard with Speedster® extractors?

A: Hose hanger with four screws, H141 Cuff-Lynx™ Reducer, H110 Cuff-Lynx™ Coupler Swivel, and 45° drain elbow.

Q: Does Mytee® recommend tools for this machine?

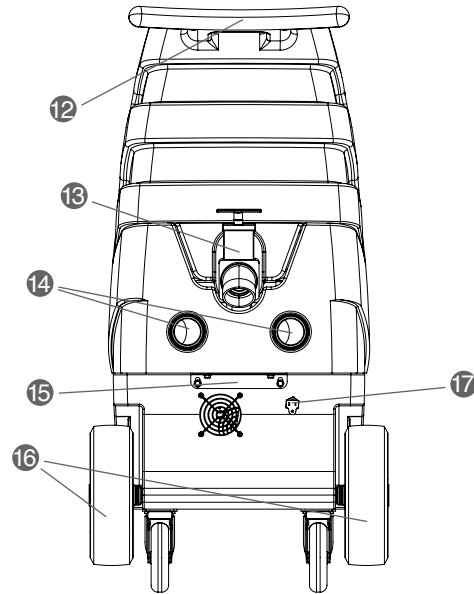
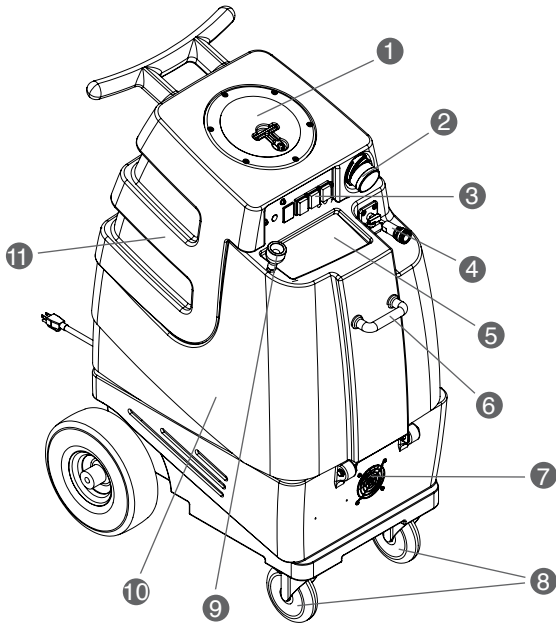
A: All upholstery tools and wands can be used with the Speedster® series.

Q: Is there anything I can do to increase the expected life of my machine?

A: Running the vacuum motors with the tank empty and lid off will allow excess moisture in the vacs to dry off. You should also run Mytee's® System Maintainer through the system to keep the hoses, pump, and heater clean and free of debris.

1000DX-200 SPEEDSTER

1000DX-200 SPEEDSTER® FEATURES



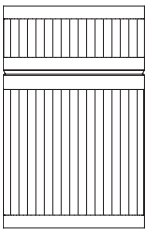
- 1. Clear recovery tank lid
- 2. 2" male Cuff-Lynx™
- 3. Switch plate
- 4. Female quick disconnect
- 5. Solution tank lid

- 6. Front handle
- 7. Front vent
- 8. 5" locking casters
- 9. Faucet fill hose
- 10. Solution tank

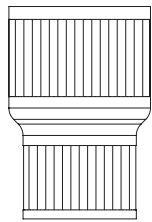
- 11. Recovery tank
- 12. Rear push handle
- 13. Recovery tank drain valve
- 14. Rear exhaust ports
- 15. Rear bracket

- 16. 10" foam-filled wheels
- 17. Power cord pigtail

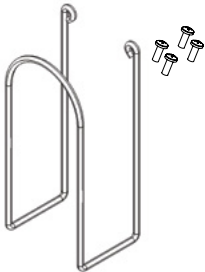
ITEMS INCLUDED



H110 Cuff-Lynx™
2" Hose Adapter



H141 Cuff-Lynx™
2" Hose Reducer to 1.5"

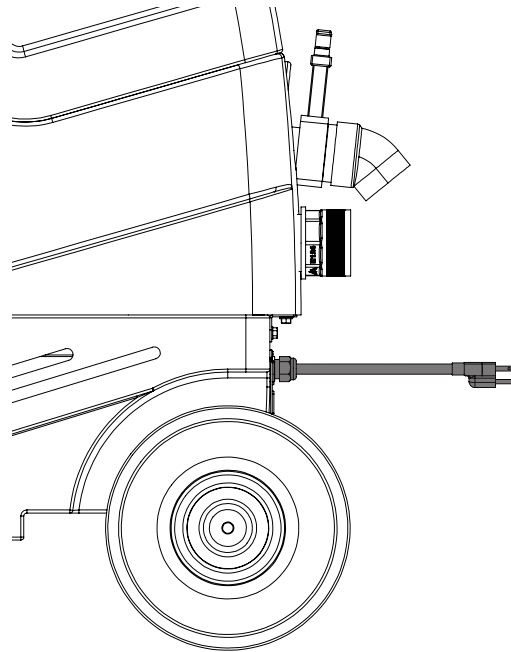


H375- Hose Hanger
(4) screws



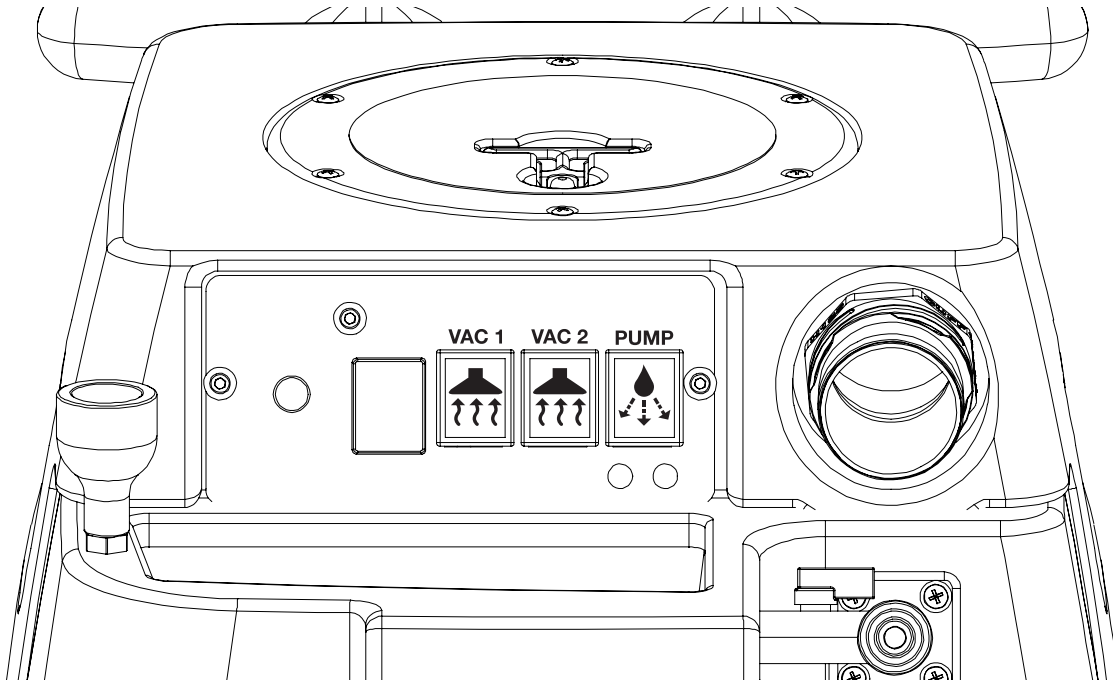
H226 Drain Elbow

POWER CORD



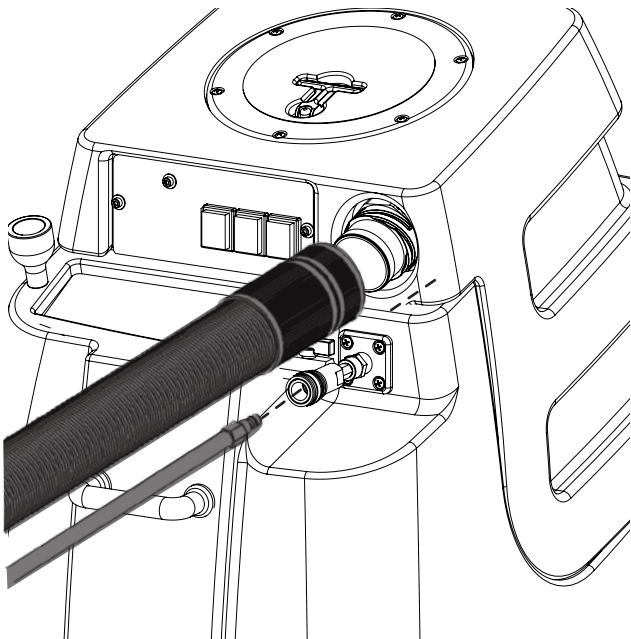
Plug the power cord into a single, 20A grounded wall outlet.

SWITCH PLATE



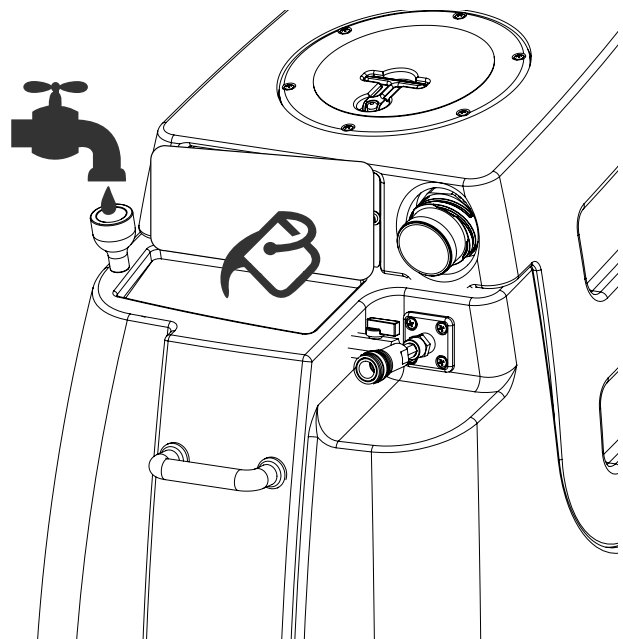
“On” switches are located on the plate in front of the machine. To use vacuums, turn on Vac 1 and Vac 2 switches. To use pump, turn on Pump switch.

VACUUM AND SOLUTION HOSE CONNECTIONS



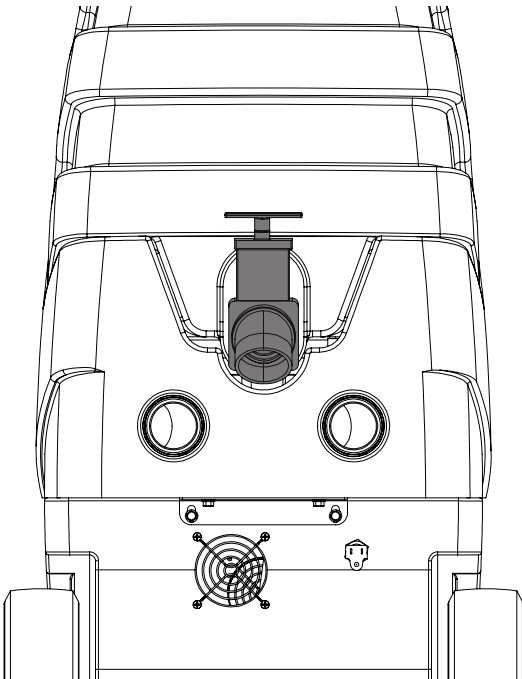
Attach one end of a solution hose to a wand or other tool, the other end to the Speedster's® front quick disconnect. Attach one end of a vacuum hose to the tool, the other end to the Speedster's® Cuff-Lynx™ vacuum hose port.

FILLING THE SOLUTION TANK



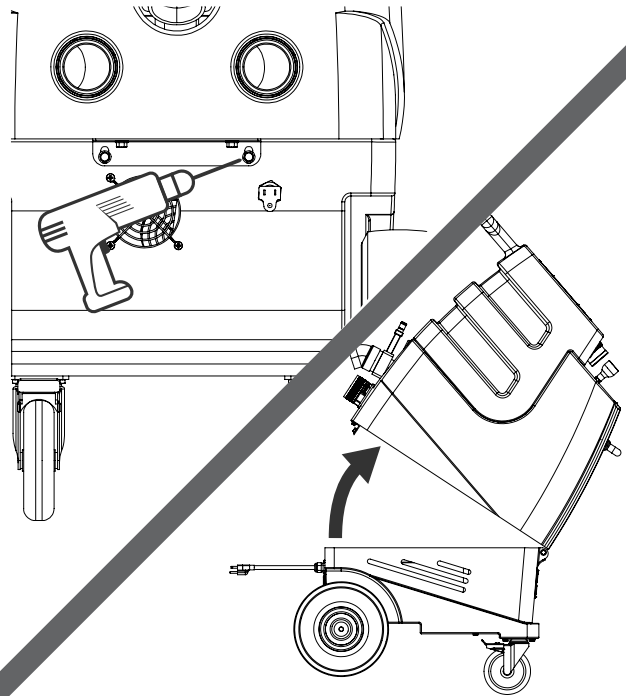
Lift lid and manually fill the solution tank or use the easy faucet fill. **IMPORTANT: Before refilling the solution tank, make sure the recovery tank is empty.**

EMPTYING THE RECOVERY TANK



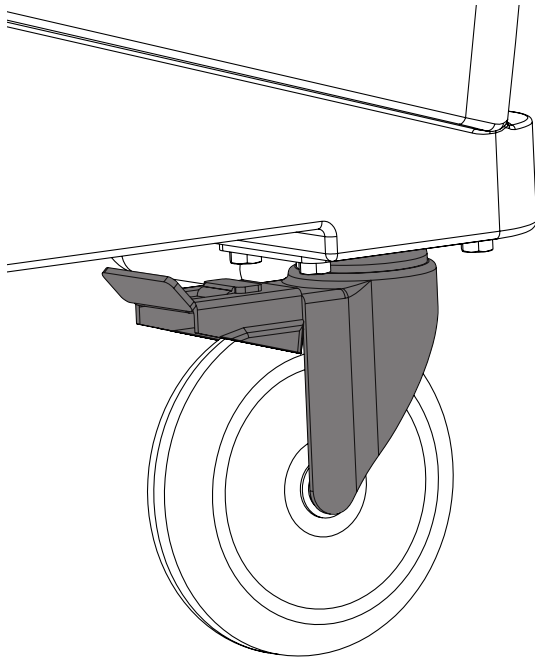
Attach the 45° drain elbow to the drain spout in back. Lift up the dump valve and empty the tank.

OPENING THE SPEEDSTER®



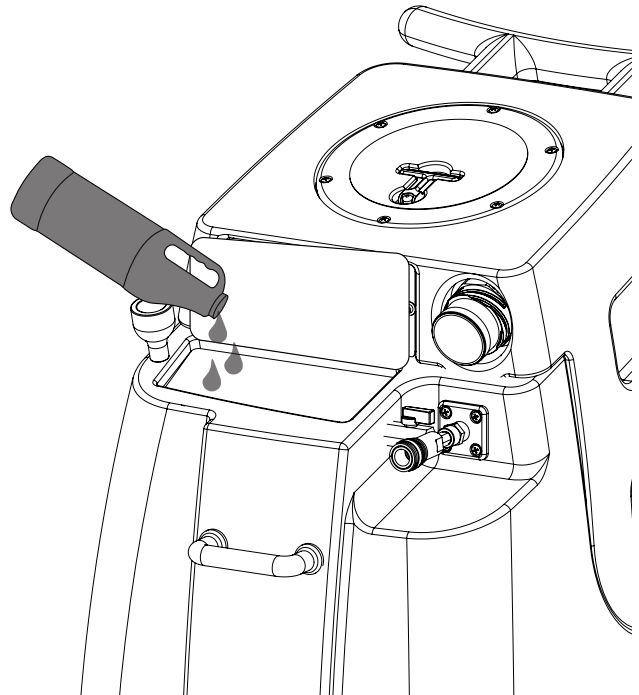
To open your Speedster® for maintenance, use a drill with a 3/8" bit to remove the bolts holding the Speedster's® body together. Lift up on the push handle to open the machine.

LOCKING CASTERS



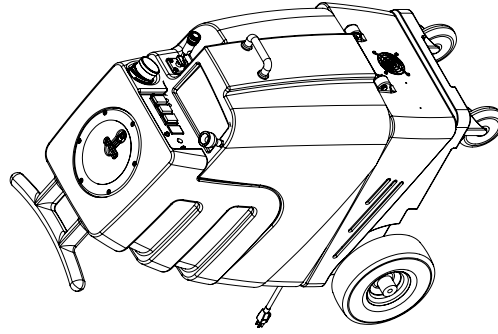
Locking casters help keep the machine remain stationary during use.

MYTEE® SYSTEM MAINTAINER



Weekly flushing of the solution system with Mytee® System Maintainer helps keep lines clean and prevents chemical build-up, improving pump life, performance and pressure.

1000DX-200 SPEEDSTER PARTS & PRICING



ITEM NO.	PART NO.	DESCRIPTION	QTY.	MSRP
1	H304	screw, #8 x 5/8 phil oval, s/s	14	\$0.99 ea
2	H296	guard, cooling fan, wire	2	\$2.99 ea
3	H216	nut, lock, 1/4-20, nylon insert, s/s	10	\$0.99 ea
4	H210	washer, 1/4" flat, s/s	22	\$0.99 ea
5	H342	bolt, 1/4-20 x 1" hex head, s/s	8	\$0.99 ea
6	H666	caster, 5" Black hub & gray tread	2	\$23.19 ea
7	H371	axle, 18.03" x .50" dia	1	\$9.99 ea
8	H254	washer, axle, cut 1/2" id	8	\$0.99 ea
9	H109	wheel, 10", foam filled	2	\$79.99 ea
10	H042	c-clip, 12mm, external	2	\$0.99 ea
11	H876	washer, 1/2 flat, s/s	4	\$0.99 ea
12	H221	nut, lock, 1/2" steel	1	\$1.99 ea
13	H220	filling, strain relief, cord	1	\$3.19 ea
14	E550	power cord, pigtail, 30', 12/3, black	1	\$11.49 ea
15	P731	base	1	\$141.99 ea
16	PH615-26	sol hose, 1/2" kur 100psi	1	\$8.99/ft
17	B173	ferrule, 1/2", brass	2	\$0.99 ea
18	B160	adapter, brass, 1/2" barb x 3/8" fsw, ball end	1	\$3.49 ea
19	B186	elbow, brass, 90 deg, 3/8" mpt x 3/8" fmp	1	\$8.99 ea
20	AH120	sol hose, 28" x 1/4", 1/4" fpt	2	\$35.49 ea
21	B652	elbow, brass, 90 deg, 3/8" mpt x 1/4" mpt	1	\$8.49 ea
22	H299	washer, 11/16" id x 1-1/2" od x .075, s/s	4	\$0.99 ea
23	H222	screw, 10-32 x 1-1/4" phil pan head, s/s	4	\$0.99 ea
24	H273	nut, kep, #10-32 zinc	6	\$0.99 ea
25	C322D	pump, 220psi, diaphragm, 11.5V	1	\$208.99 ea
26	B172	elbow, brass, 90 deg, 1/2" barb x 3/8" mpt	1	\$9.49 ea
27	H912	bracket, rear, fb/spy	1	\$9.99 ea
28	H770	bolt, 1/4-20 x 1/2" serrated hex flange, zinc	8	\$0.99 ea
29	H307	washer, star, 1/4" steel zinc	2	\$0.99 ea
30	G052	washer, buna 1-1/8" od x 3/16" id	6	\$1.99 ea
31	H211	washer, 1/4" id x 1" od, flat, s/s	6	\$0.99 ea
32	H202	bolt, 1/4-20 x 3/4" hex head, s/s	6	\$0.99 ea
33	H124	Cuff-Lynx, 2" mpt x 2" female cuff	2	\$3.99 ea
34	H194	coupler, 2" dia x 2.5" length, s/s	2	\$10.00 ea
35	H217	clamp, hose, 2-1/4" dia	4	\$1.49 ea
36	PH628-24	vac hose, 2", wire reinforced	1	\$8.99/ft
37	H213	washer, 1/4" lock, s/s	10	\$0.99 ea
38	H215	nut, hex, 1/4-20 s/s	2	\$0.99 ea
39	PH612-60	clear tubing, 1/2" OD x 3/8" ID, faucet fill	1	\$1.99/ft
40	B241	adapter, brass, 3/8" barb x 1/4" mpt	1	\$1.99 ea
41	H178	faucet fill	1	\$1.99 ea
42	G018	cover, sol tank (sp)	1	\$12.99 ea
43	P732	sol tank	1	\$141.99 ea
44	H768	bolt, 1/4-20 x 3/4" serrated hex flange, zinc	2	\$0.99 ea
45	B107	nut, brass, 1/4" m, hex	2	\$3.19 ea
46	H484	plate, mounting, QD	1	\$4.99 ea
47	H256	screw, 10-32 x 3/4" phil pan head, zinc	4	\$0.99 ea
48	B142A	coupling, brass, 1/4" fpt x 1/4" fpt	1	\$4.49 ea
49	B135	tee, brass, 1/4" mpt	1	\$5.49 ea
50	B102	qd, brass, 1/4" x 1/4" fpt	1	\$17.99 ea
51	B656	ball valve, 1/4"	1	\$13.49 ea
52	B109	adapter, brass, 1/4" barb x 1/4" mpt	1	\$1.99 ea
53	B170	ferrule, 1/4" barb	1	\$0.99 ea
54	PH634-36	sol hose, 1/4", silicone braided, clear	1	\$6.49 ft
55	H485	handle, aluminum grip, black	1	\$6.99 ea

ITEMS NOT SHOWN

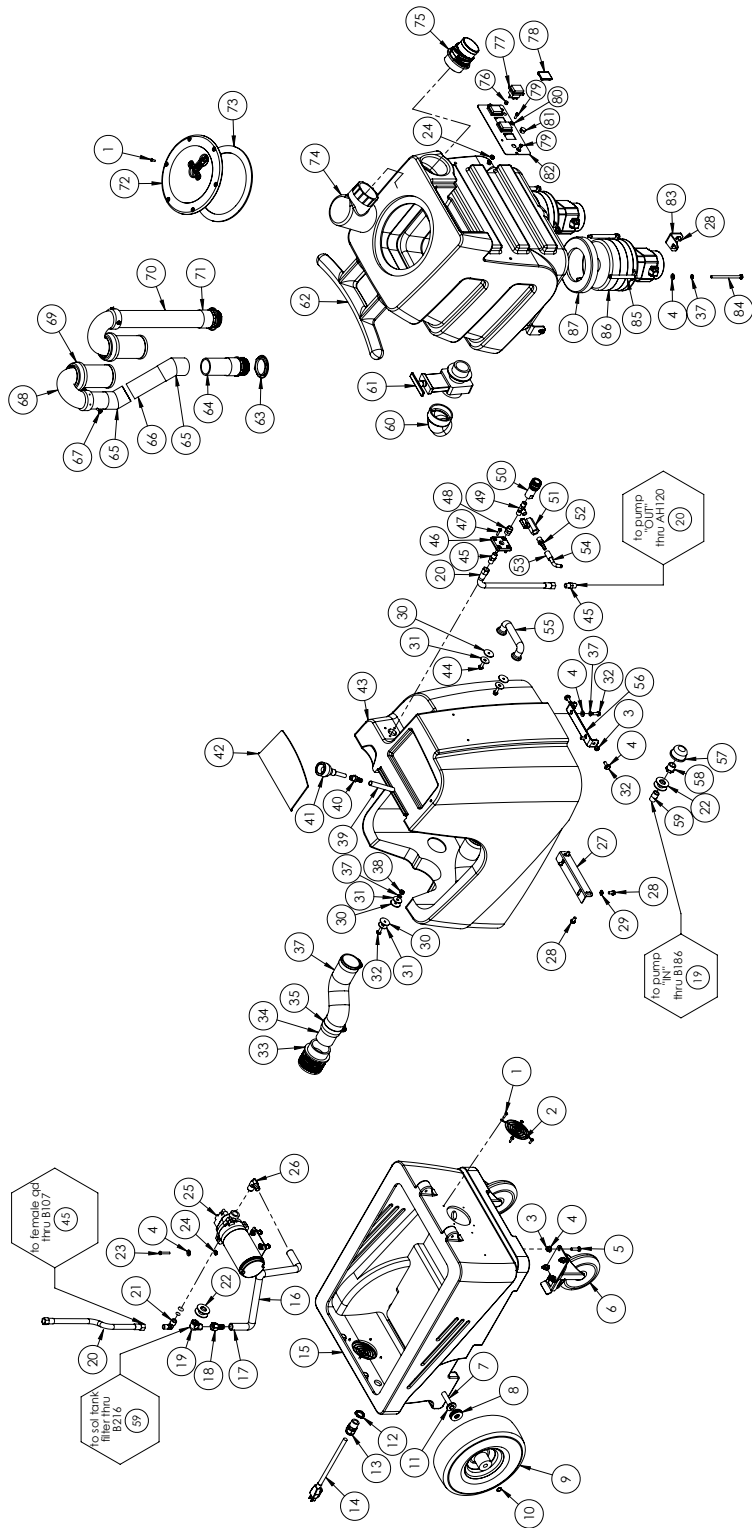
PART NO.	DESCRIPTION	QTY	MSRP
E366	harness, electrical	1	\$68.99 ea
G008	piglet filter	1	\$6.29 pak
H375	hanger, wire formed, hose	1	\$10.99 ea
H230	screw, 10-32 x 1/2" phil pan head, s/s	2	\$0.99 ea
H141	Cuff-Lynx, 2" x 1.5" reducer	1	\$3.99 ea
H110	Cuff-Lynx, 2" hose x 2" fem swivel Cuff-Lynx	1	\$3.99 ea
E530	power cord, ext, 50', 12/3 black	1	\$74.99 ea
P568A	cord lock, s-type	1	\$8.99 ea

DATE	10/2013
NAME	MYTEE PRODUCTS, INC.
IN	Labordia
CHECKED	
COMMENTS	
TITLE	speedster
PROPERTY AND CONFIDENTIALITY NOTICE	
SIZE	DWG. NO. C 1000DX-200
REV	H
SHEET	1 OF 3
SCALE	1:48

1000DX-200 SPEEDSTER PARTS & PRICING

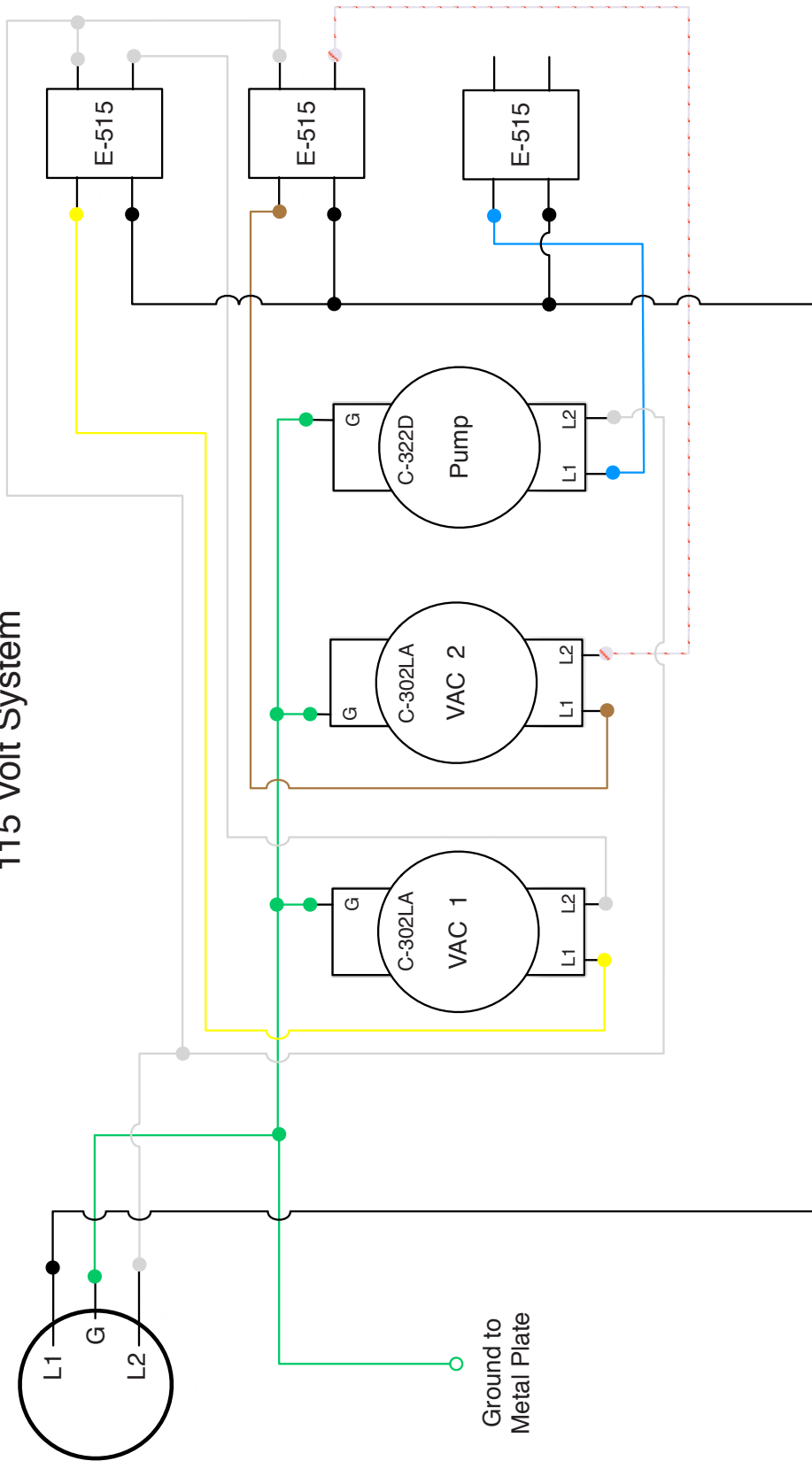
NAME	DATE	MYTEE PRODUCTS, INC.
DRAWN	10/0013	10/0013
CHECKED		
COMMENTS		
TITLE		
speedster		
SUB DWG. NO.	REV	
C 1000DX-200	H	
SCALE: 1:48	SHEET 2 OF 3	

PROPRIETARY AND CONFIDENTIAL
 THIS DRAWING IS THE PROPERTY OF MYTEE PRODUCTS, INC. AND IS NOT TO BE REPRODUCED OR TRANSMITTED IN ANY FORM OR BY ANY MEANS, ELECTRONIC OR MECHANICAL, WITHOUT THE WRITTEN PERMISSION OF MYTEE PRODUCTS, INC.



1000DX-200 SPEEDSTER WIRING SCHEMATIC

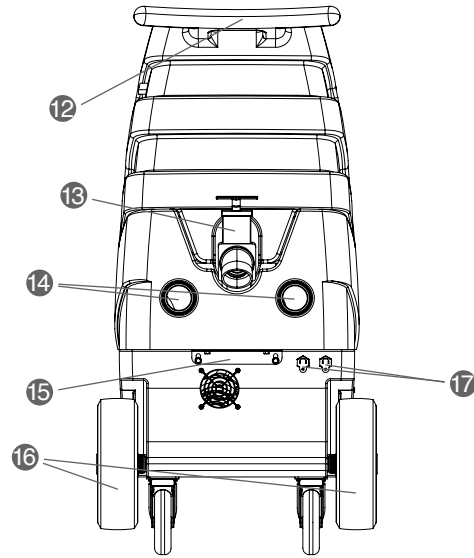
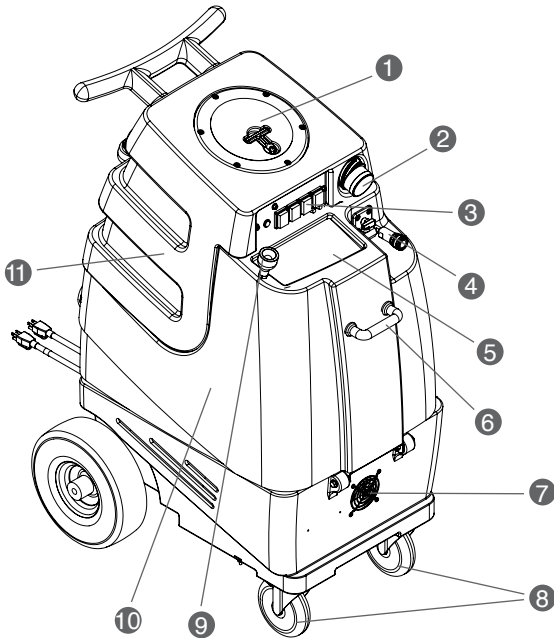
1000DX-200
115 Volt System



8/5/2016

1001DX-200 SPEEDSTER

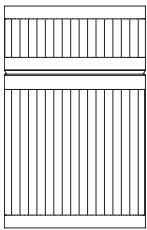
1001DX-200 SPEEDSTER® FEATURES



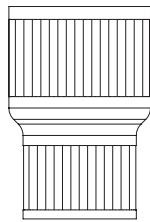
- 1. Clear recovery tank lid
- 2. 2" male Cuff-Lynx™
- 3. Switch plate
- 4. Female quick disconnect
- 5. Solution tank lid
- 6. Front handle
- 7. Front vent
- 8. 5" locking casters
- 9. Faucet fill hose
- 10. Solution tank

- 11. Recovery tank
- 12. Rear push handle
- 13. Recovery tank drain valve
- 14. Rear exhaust ports
- 15. Rear bracket
- 16. 10" foam-filled wheels
- 17. Power cord pigtails

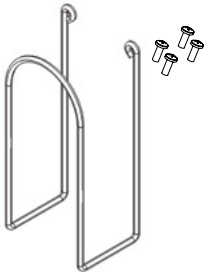
ITEMS INCLUDED



H110 Cuff-Lynx™
2" Hose Adapter



H141 Cuff-Lynx™
2" Hose Reducer to 1.5"



H375- Hose Hanger
(4) screws

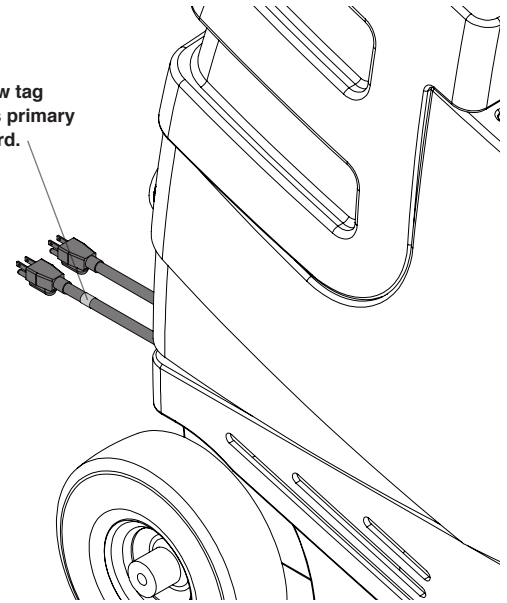


H226 Drain Elbow

POWER CORDS

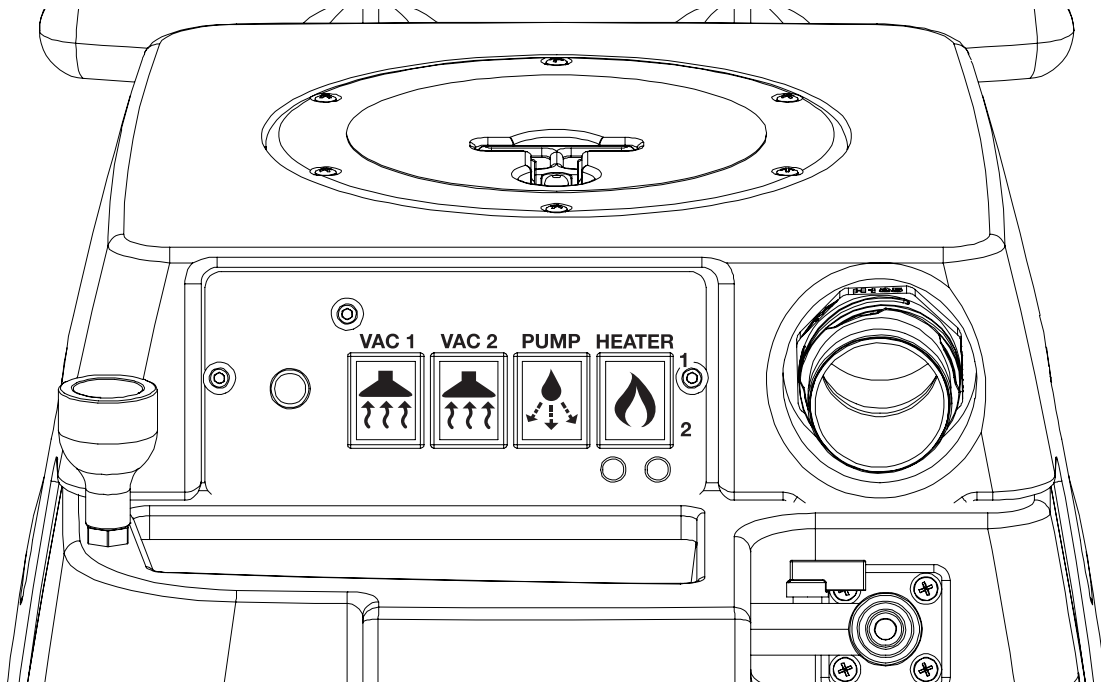
Left cord: Powers Vac 2 & Heater 2.
Right cord: Powers Vac 1, Heater 1 & Pump.

Yellow tag
indicates primary
cord.



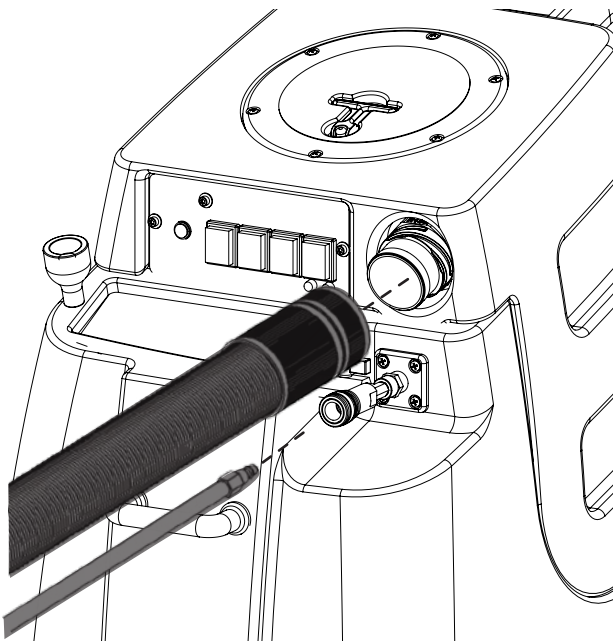
Plug each power cord into a separate, 20A grounded wall outlet. **Outlets must be on two separate breakers.** When the amber light on the switch plate illuminates, the machine is on separate circuits (not necessarily 20A circuits). You can identify the primary cord by the yellow tag.

SWITCH PLATE



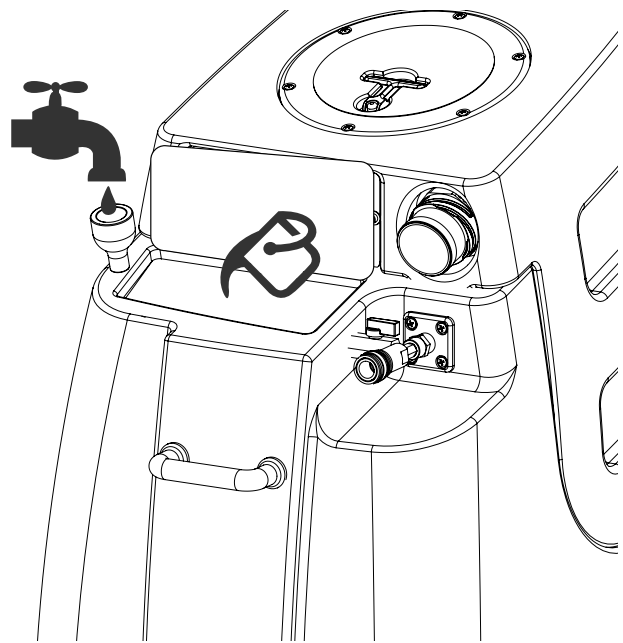
In order to use the unit's heater(s) for hot water extraction, follow these steps: **1.** Turn on the PUMP and pull the trigger on your cleaning tool until water sprays out. **2.** Turn on the HEATER(s). Position 1 on the HEATER switch powers one heating rod for 1,000 watts and position 2 powers two for 2,000 watts. Allow the heater(s) to warm up for 5-7 minutes. Pull the trigger on your cleaning tool until hot water sprays out. **3.** Turn on the VACUUMS and begin cleaning.

VACUUM AND SOLUTION HOSE CONNECTIONS



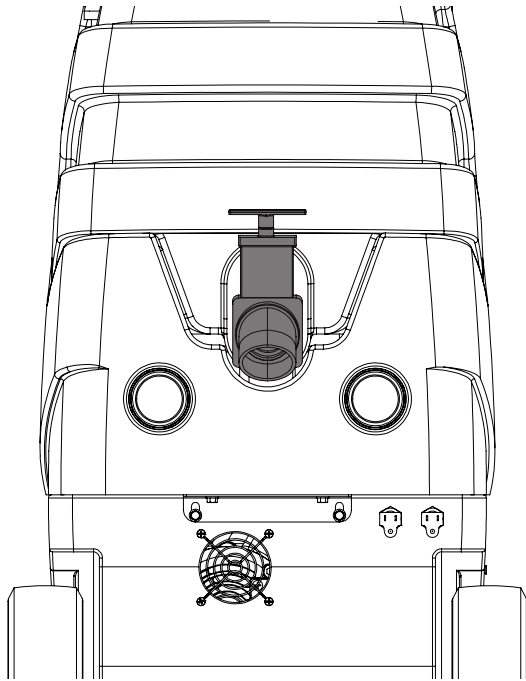
Attach one end of a solution hose to a wand or other tool, the other end to the Speedster's® front quick disconnect. Attach one end of a vacuum hose to the tool, the other end to the Speedster's® Cuff-Lynx™ vacuum hose port.

FILLING THE SOLUTION TANK



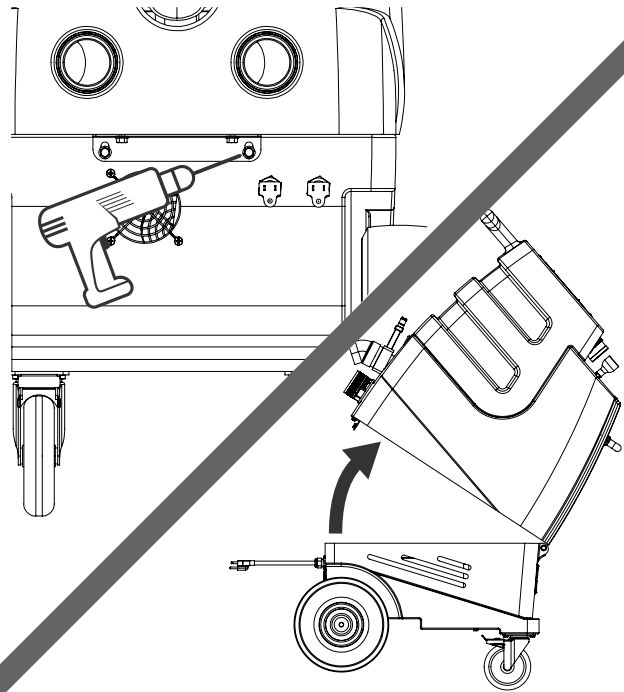
Lift lid and manually fill the solution tank or use the easy faucet fill. **IMPORTANT: Before refilling the solution tank, make sure the recovery tank is empty.**

EMPTYING THE RECOVERY TANK



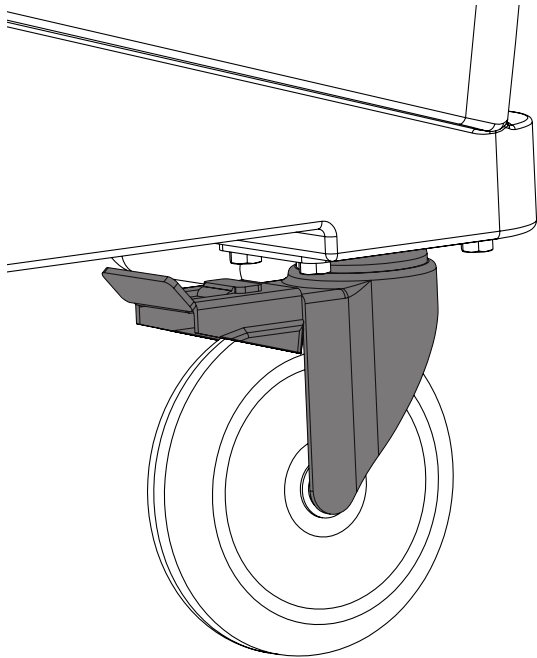
Attach the 45° drain elbow to the drain spout in back. Lift up the dump valve and empty the tank.

OPENING THE SPEEDSTER®



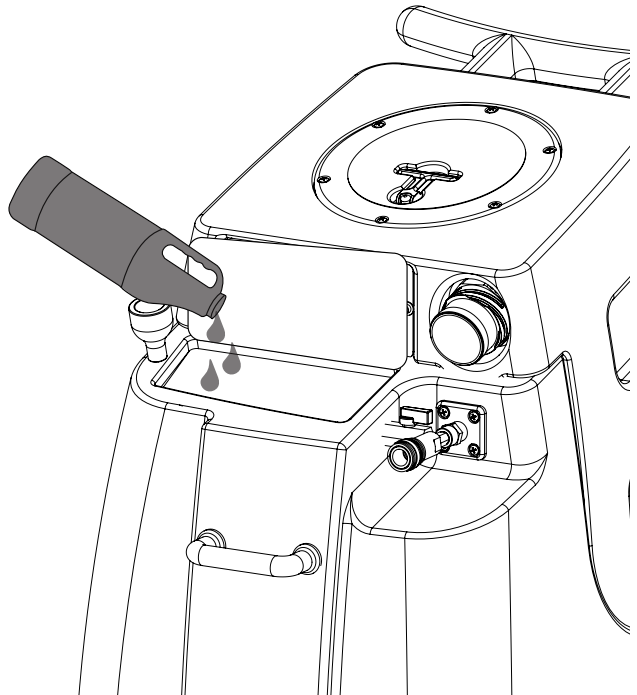
To open your Speedster® for maintenance, use a drill with a 3/8" bit to remove the bolts holding the Speedster's® body together. Lift up on the push handle to open the machine.

LOCKING CASTERS



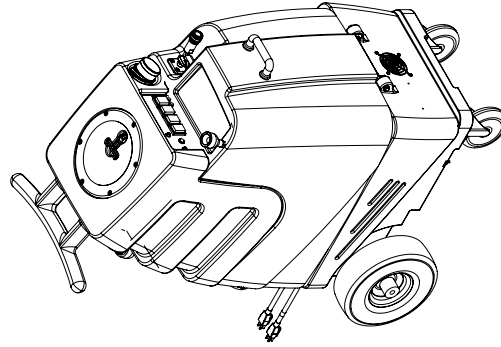
Locking casters help keep the machine remain stationary during use.

MYTEE® SYSTEM MAINTAINER



Weekly flushing of the solution system with Mytee® System Maintainer helps keep lines clean and prevents chemical build-up, improving pump life, performance and pressure.

1001DX-200 SPEEDSTER PARTS & PRICING



ITEM NO.	PART NO.	DESCRIPTION	QTY.	MSRP
1	H304	screw, #8 x 5/8 phil oval, s/s	14	\$0.99 ea
2	H296	guard, cooling fan, wire	2	\$2.99 ea
3	H216	nut, lock, 1/4-20, nylon insert, s/s	10	\$0.99 ea
4	H210	washer, 1/4" flat, s/s	22	\$0.99 ea
5	H342	bolt, 1/4-20 x 1" hex head, s/s	8	\$0.99 ea
6	H666	caster, 5", black hub & gray head	2	\$23.19 ea
7	P731	base	1	\$14.99 ea
8	H371	axle, 18.03" x .50" dia	1	\$9.99 ea
9	H254	washer, axle, cut 1/2" id	8	\$0.99 ea
10	H109	wheel, 10", foam filled	2	\$79.99 ea
11	H042	c-clip, 12mm, external	2	\$0.99 ea
12	AH184	sol hose, pulse, 3/8" x 14.5" fsw x 1/4 fsw x 1/4 fpt	1	\$27.99 ea
13	AH156	hose, 3/8", (OAL), 1 x ts, 5400 gray	1	\$23.99 ea
14	B103	elbow, brass, 90 deg, 1/4" mpt x 1/4" fpt	2	\$4.49 ea
15	H256	screw, 10-32 x 3/4", phil pan head, zinc	6	\$0.99 ea
16	H528	bracket, heater mounting, dual	1	\$29.99 ea
17	E519	heating rod, 1000W, 115V	2	\$51.99 ea
18	B142A	coupling, brass, 1/4" fpt x 1/4" fpt	2	\$4.49 ea
19	B108	valve, brass, 1/4" check	1	\$13.99 ea
20	H274	screw, 6 x 3/16, phil pan head, self-tapping	10	\$0.99 ea
21	H903A	heater, aluminum cast, single	2	\$78.99 ea
22	E573	Thermostat, 200°, Auto, 1/4"	2	\$16.49 ea
23	E574	Thermostat, 310°F ± 10°F, Manual, 1/4"	2	\$17.99 ea
24	AH120	sol hose, 28" x 1/4", 1/4" fpt	2	\$35.49 ea
25	H876	washer, 1/2" flat, s/s	4	\$0.99 ea
26	H221	nut, lock, 1/2" steel	2	\$1.99 ea
27	H220	fitting, strain relief, cord	2	\$3.19 ea
28	E550	power cord, pigtail, 30', 12/3, black	2	\$11.49 ea
29	PH615-26	sol hose, 1/2" kur 100psi	1	\$8.99/ft
30	B160	adapter, brass, 1/2" barb x 3/8" fsw, ball end	1	\$3.49 ea
31	B186	elbow, brass, 90 deg, 3/8" mpt x 3/8" fmp	1	\$8.99 ea
32	B652	elbow, brass, 90 deg, 3/8" mpt x 1/4" mpt	1	\$8.49 ea
33	H299	washer, 1/16" x 1-1/2" od x .075, s/s	4	\$0.99 ea
34	H222	screw, 10-32 x 1-1/4", phil pan head, s/s	4	\$0.99 ea
35	C322D	pump, 220psi, diaphragm, 115V	1	\$208.99 ea
36	B172	elbow, brass, 90 deg, 1/2" barb x 3/8" mpt	1	\$0.99 ea
37	B173	female, 1/2", brass	2	\$0.99 ea
38	H273	nut, kep, #10-32 zinc	8	\$0.99 ea
39	H912	bracket, rear, 16/spy	1	\$9.99 ea
40	H770	bolt, 1/4-20 x 1/2" serrated hex flange, zinc	8	\$0.99 ea
41	H307	washer, star, 1/4" steel zinc	2	\$0.99 ea
42	G052	washer, buna 1-1/8" od x 3/16" id	6	\$1.99 ea
43	H211	washer, 1/4" id x 1" od, flat, s/s	6	\$0.99 ea
44	H203	bolt, 1/4-20 x 1-1/4"	2	\$0.99 ea
45	H124	Cuff-Lynx, 2" mpt x 2" female cuff	2	\$3.99 ea
46	H194	coupler, 2" dia x 2.5" length, s/s	2	\$10.00 ea
47	H217	clamp, hose, 2-1/4" dia	4	\$1.49 ea
48	PH628-15	vac hose, 2", wire reinforced	2	\$8.99/ft
49	H213	washer, 1/4" lock, s/s	10	\$0.99 ea
50	H215	nut, hex, 1/4-20 x 3/8"	2	\$0.99 ea
51	PH612-60	clear tubing, 1/2" OD x 3/8" ID, faucet fill	1	\$1.99/ft
52	G018	cover, sol tank (sp)	1	\$12.99 ea
53	H178	faucet fill	1	\$10.99 ea
54	B241	adapter, brass, 3/8" barb x 1/4" mpt	1	\$1.99 ea
55	P732	sol tank	1	\$141.99 ea
56	H768	bolt, 1/4-20 x 3/4", serrated hex flange, zinc	2	\$0.99 ea
57	B107	nipple, brass, 1/4"m, hex	2	\$3.19 ea
58	H484	plate, mounting, QD	1	\$4.99 ea
59	B135	tee, brass, 1/4" mpt	1	\$5.49 ea
60	B102	qd, brass, 1/4" x 1/4" fpt	1	\$17.99 ea
61	B656	ball valve, 1/4"	1	\$13.49 ea
62	B109	adapter, brass, 1/4" barb x 1/4" mpt	1	\$1.99 ea

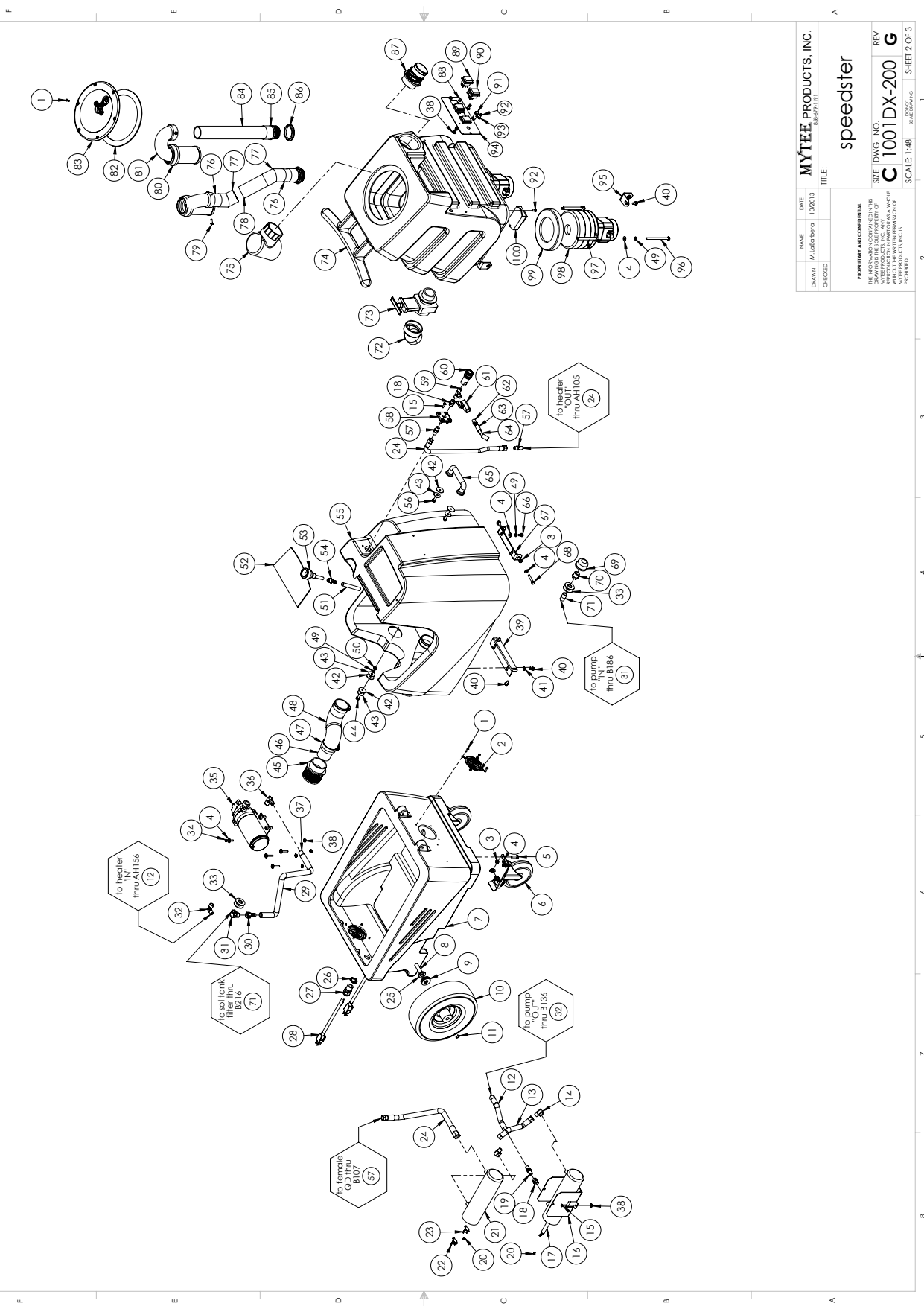
ITEMS NOT SHOWN

PART NO.	DESCRIPTION	QTY	MSRP
A976	harness, electrical	1	\$88.99 ea
G008	piglet filter	1	\$6.29 pak
H375	hanger, wire formed, hose	1	\$10.99 ea
H230	screw, 10-32 x 1/2" phil pan head, s/s	2	\$0.99 ea
H141	Cuff-Lynx, 2" x 1.5" reducer	1	\$3.99 ea
H110	Cuff-Lynx, 2" hose x 2" fem swivel Cuff-Lynx	1	\$3.99 ea
E580	power cord, ext 50', 12/3 black	2	\$74.99 ea
P568A	cord lock, s-type	2	\$8.99 ea
P960	cuffies, 1/4" od, standard pack of 2	1	\$2.99 ea

NAME	DATE	MYTEE PRODUCTS, INC.
DRAWN	10/2013	1001DX-200
CHECKED		
TITLE: speedster		
SCALE: 1:48		
SHEET 1 OF 3		

NONRECYCLED AND NONBIODEGRADABLE
 INFORMATION CONTAINED HEREIN IS THE PROPERTY OF MYTEE PRODUCTS, INC. ANY REPRODUCTION OR TRANSMISSION OF THIS INFORMATION WITHOUT THE WRITTEN PERMISSION OF MYTEE PRODUCTS, INC. IS PROHIBITED.

1001DX-200 SPEEDSTER PARTS & PRICING

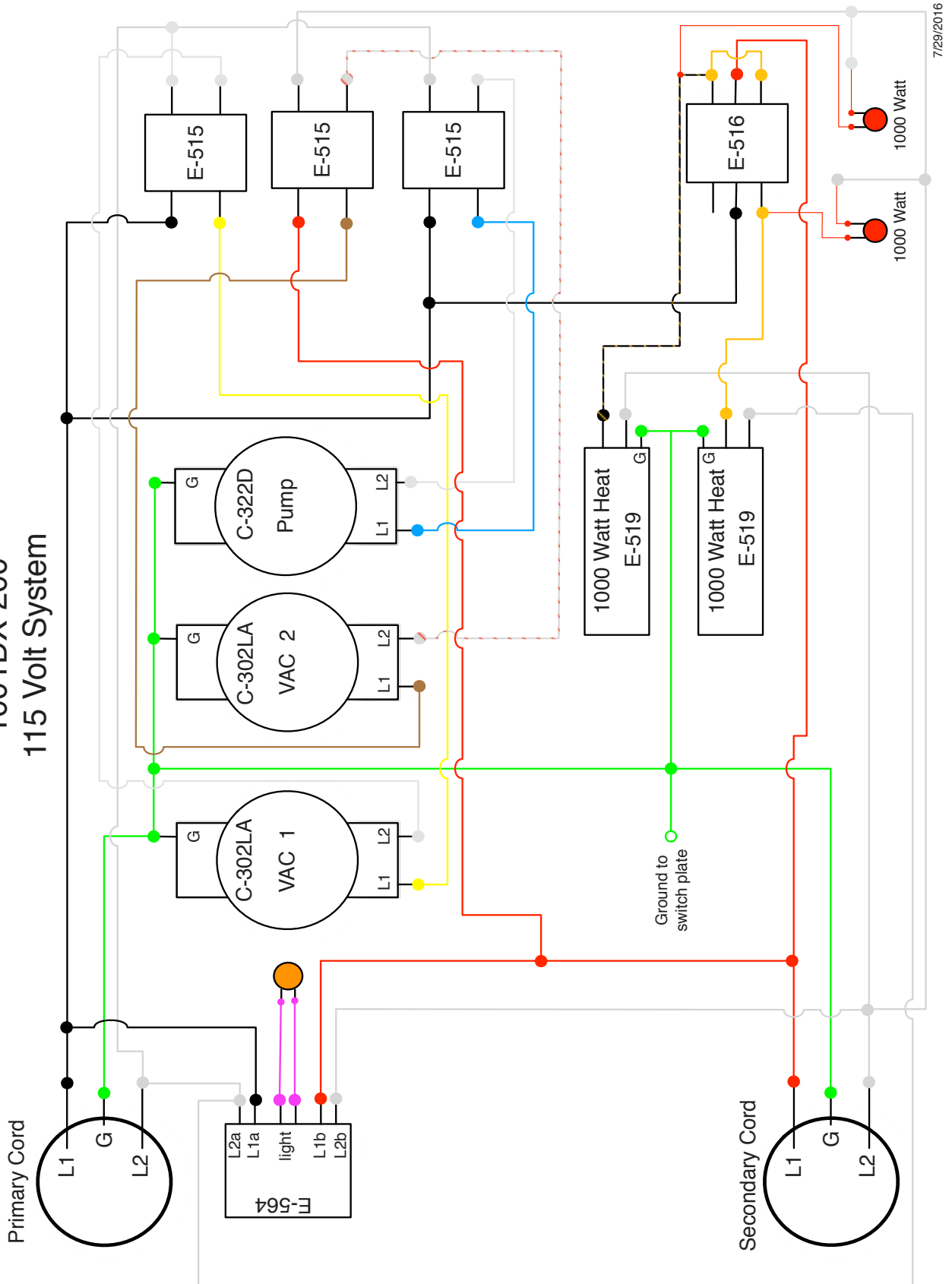


NAME	DATE	MYTEE PRODUCTS, INC.
DRAWN	10/2013	REV
CHECKED		C 1001DX-200
TITLE: speedster		
SCALE: 1:48		
SHEET 2 OF 3		

PROPRIETARY AND CONFIDENTIAL
 INFORMATION CONTAINED HEREIN IS THE PROPERTY OF MYTEE PRODUCTS, INC. AND IS TO BE USED ONLY FOR THE PURPOSES SPECIFIED HEREIN. REPRODUCTION OR TRANSMISSION OF THIS INFORMATION IN ANY FORM OR BY ANY MEANS, WITHOUT THE WRITTEN PERMISSION OF MYTEE PRODUCTS, INC. IS PROHIBITED.

1001DX-200 SPEEDSTER WIRING SCHEMATIC

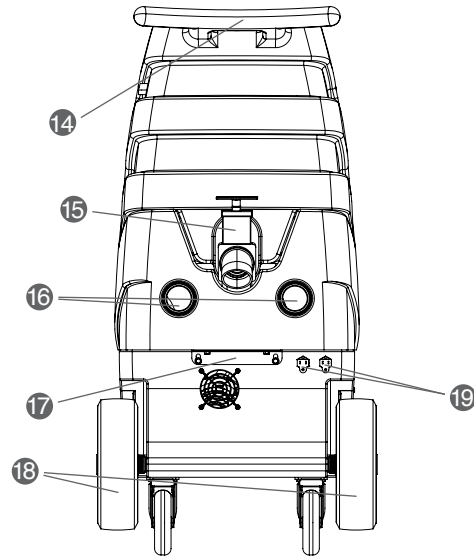
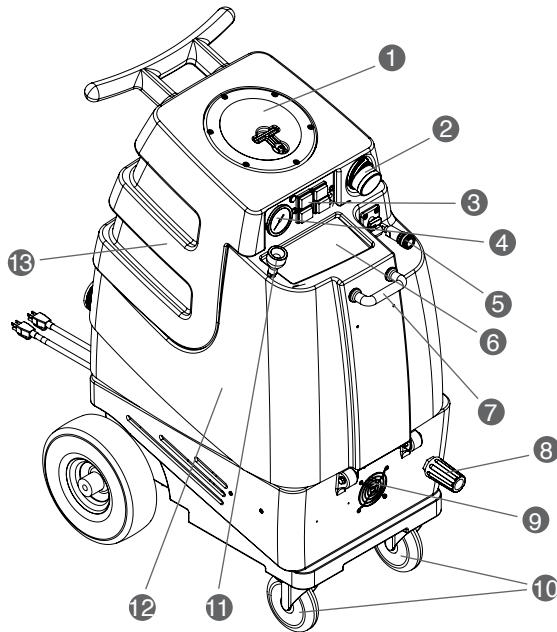
1001DX-200 115 Volt System



7/29/2016

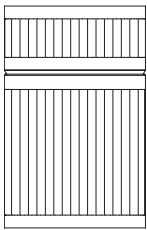
1003DX SPEEDSTER

1003DX SPEEDSTER® FEATURES

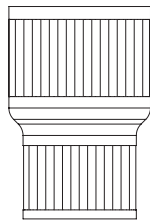


- | | | | |
|----------------------------|------------------------|----------------------|----------------------------|
| 1. Clear recovery tank lid | 6. Solution tank lid | 11. Faucet fill hose | 16. Rear exhaust ports |
| 2. 2" male Cuff-Lynx™ | 7. Front handle | 12. Solution tank | 17. Rear bracket |
| 3. Switch plate | 8. Pressure regulator | 13. Recovery tank | 18. 10" foam-filled wheels |
| 4. Pressure gauge | 9. Front vent | 14. Rear push handle | 19. Power cord pigtails |
| 5. Female quick disconnect | 10. 5" locking casters | | |

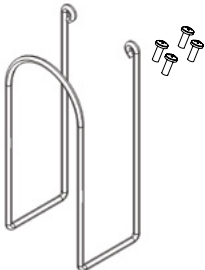
ITEMS INCLUDED



H110 Cuff-Lynx™
2" Hose Adapter



H141 Cuff-Lynx™
2" Hose Reducer to 1.5"



H375- Hose Hanger
(4) screws

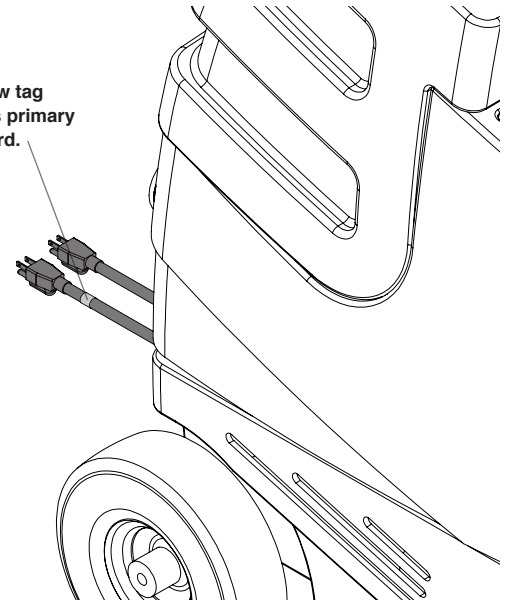


H226 Drain Elbow

POWER CORD

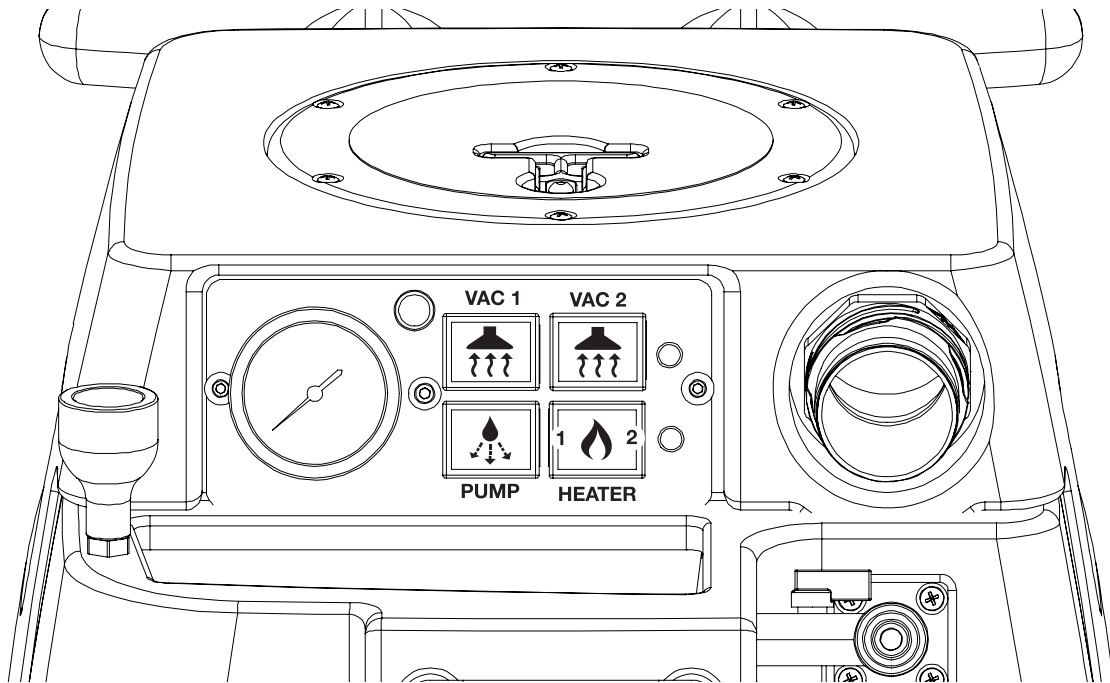
Left cord: Powers Vac 2 & Heater 2.
Right cord: Powers Vac 1, Heater 1 & Pump.

Yellow tag
indicates primary
cord.



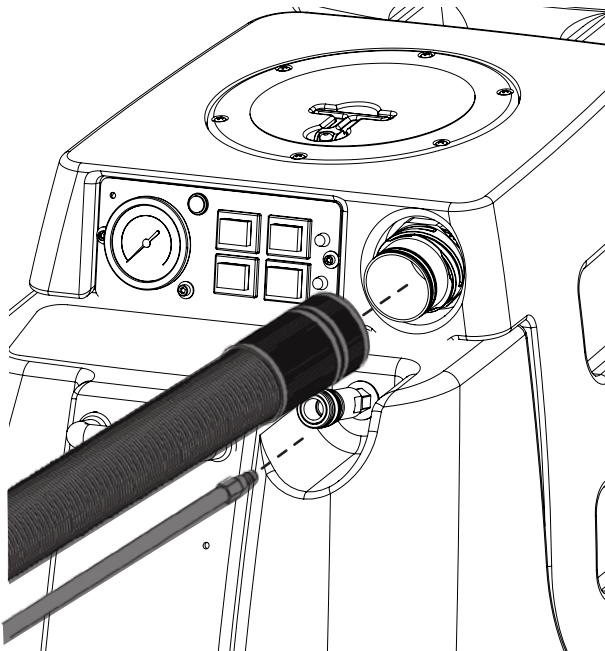
Plug each power cord into a separate, 20A grounded wall outlet. **Outlets must be on two separate breakers.** When the amber light on the switch plate illuminates, the machine is on separate circuits (not necessarily 20A circuits). You can identify the primary cord by the yellow tag.

SWITCH PLATE



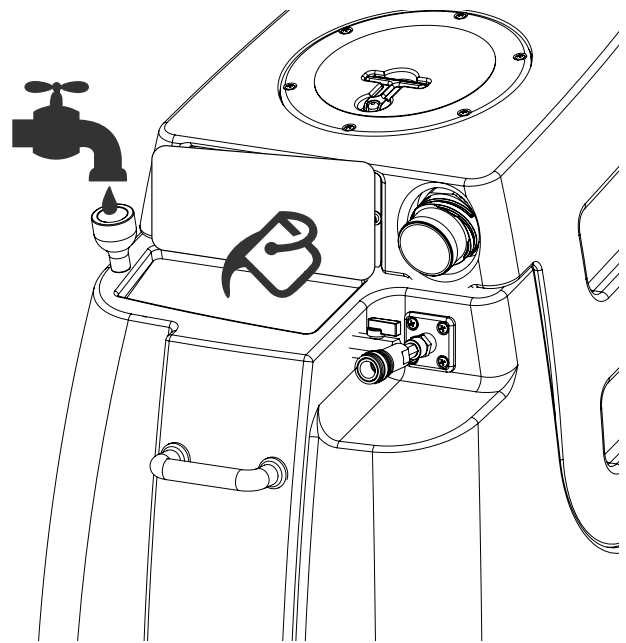
In order to use the unit's heater(s) for hot water extraction, follow these steps: **1.** Turn on the PUMP and pull the trigger on your cleaning tool until water sprays out. **2.** Turn on the HEATER(s). Position 1 on the HEATER switch powers one heating rod for 1,000 watts and position 2 powers two for 2,000 watts. Allow the heater(s) to warm up for 5-7 minutes. Pull the trigger on your cleaning tool until hot water sprays out. **3.** Turn on the VACUUMS and begin cleaning.

VACUUM AND SOLUTION HOSE CONNECTIONS



Attach one end of a solution hose to a wand or other tool, the other end to the Speedster's® front quick disconnect. Attach one end of a vacuum hose to the tool, the other end to the Speedster's® Cuff-Lynx™ vacuum hose port.

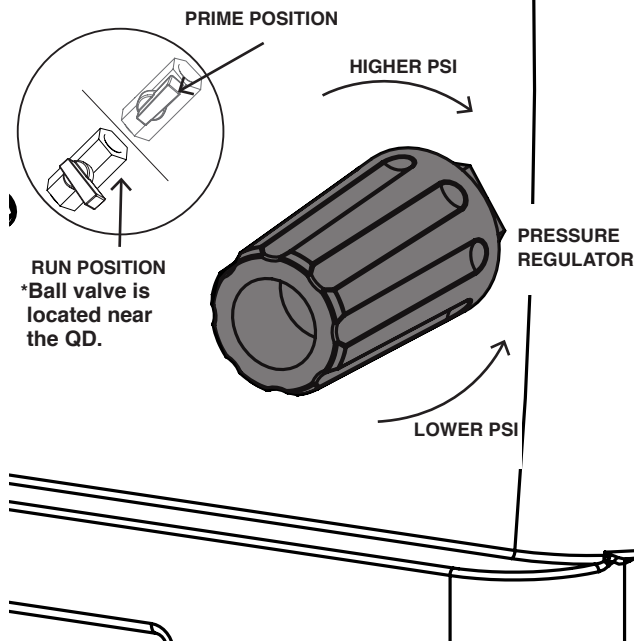
FILLING THE SOLUTION TANK



Lift lid and manually fill the solution tank or use the easy faucet fill. **IMPORTANT: Before refilling the solution tank, make sure the recovery tank is empty.**

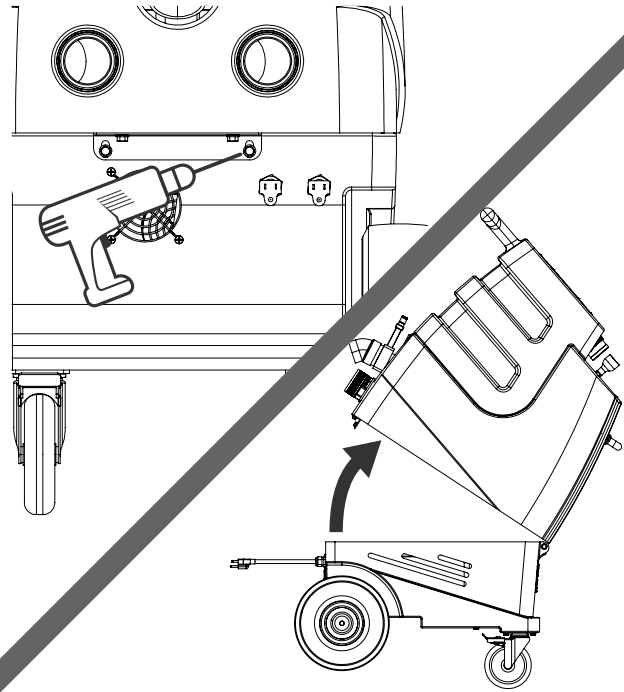
1003DX SPEEDSTER

PRIME VALVE & PRESSURE REGULATOR



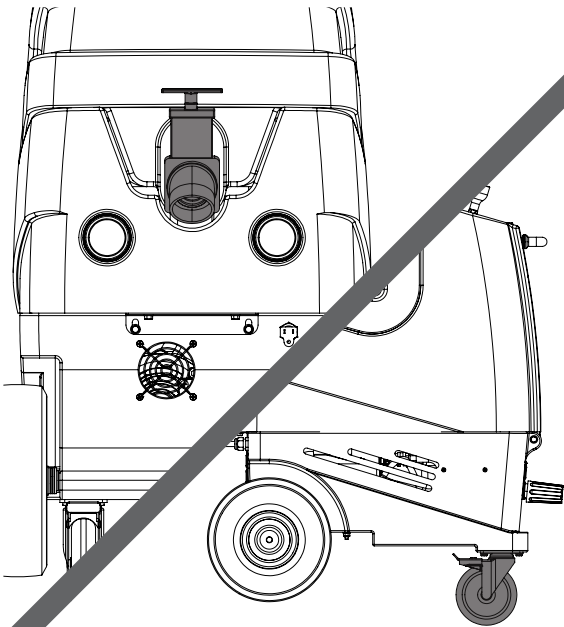
Prime the pump by turning the valve to the Prime position (as shown above) for 30 seconds, then turn right to the Run position. Turn the Pressure Regulator to the left to decrease water pressure. Turn the Pressure Regulator to the right to increase water pressure.

OPENING THE SPEEDSTER®



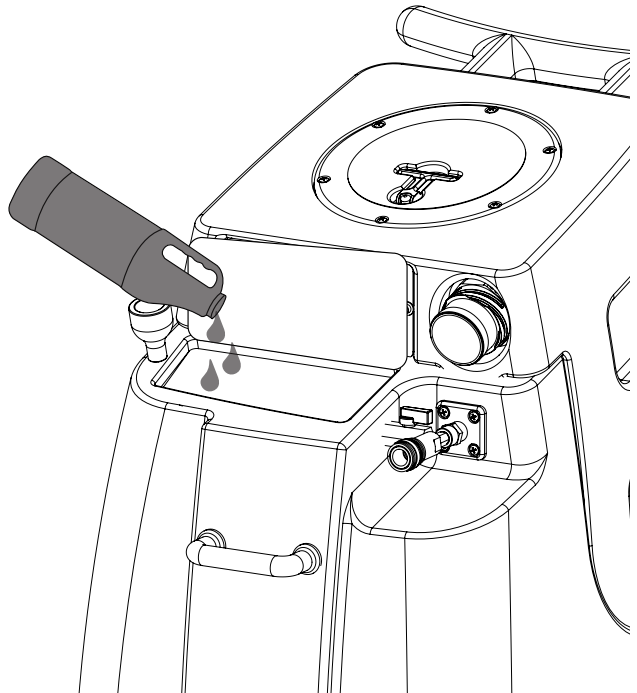
To open your Speedster® for maintenance, use a drill with a 3/8" bit to remove the bolts holding the Speedster's® body together. Lift up on the push handle to open the machine.

DUMP VALVE & LOCKING CASTERS



Above, empty the recovery tank by attaching the 45° drain elbow to the drain spout in back. Lift up the dump valve and empty the tank. Below, locking casters help keep the machine remain stationary during use.

MYTEE® SYSTEM MAINTAINER



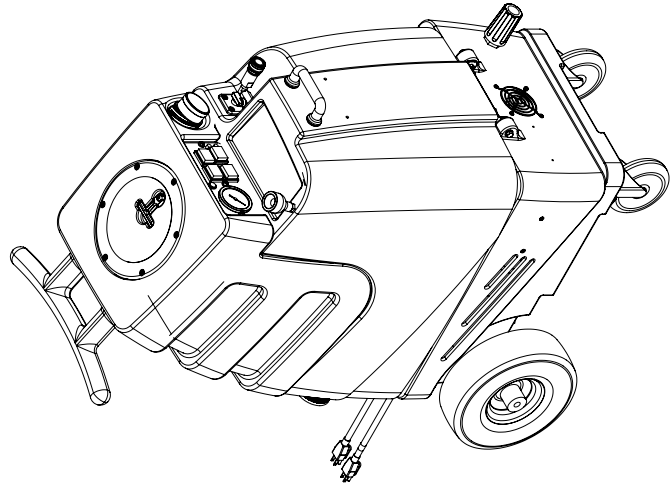
Weekly flushing of the solution system with Mytee® System Maintainer helps keep lines clean and prevents chemical build-up, improving pump life, performance and pressure.

1003DX SPEEDSTER PARTS & PRICING

ITEM NO.	PART NO.	DESCRIPTION	QTY.	MSRP	ITEM NO.	PART NO.	DESCRIPTION	QTY.	MSRP
1	H256	guard, coding fan, wire	2	\$5.99 ea	70	H213	washer, 1/4" lock, 1/4"	10	\$0.99 ea
2	H354	screw, #8 x 3/8 pan head, 1/4"	14	\$0.99 ea	71	H215	nut, hex, 1/4-20 x 1/2	2	\$0.99 ea
3	H216	nut, lock, 1/4-20, nylon insert, 1/4"	14	\$0.99 ea	72	H1085	ball, 1/4-20 x 3/4, stainless steel, temp. zinc	2	\$0.99 ea
4	H210	washer, 1/4" flat, 1/4"	26	\$0.99 ea	73	AH1085	10 nuts, 1/4" x 1/2" (OAL)	1	\$26.49 ea
5	H352	ball, 1/4-20 x 1/2, stainless steel	2	\$0.99 ea	74	AH1085	pins, stainless steel	1	\$0.99 ea
6	H352	ball, 1/4-20 x 1/2, stainless steel	2	\$0.99 ea	75	AH1085	coupler, 1/4" x 1/4" flt	1	\$4.69 ea
7	H352	ball, 1/4-20 x 1/2, stainless steel	2	\$0.99 ea	76	B125A	ball, 1/4-20 x 1/2, stainless steel	1	\$5.99 ea
8	E544	coupler, 1/4" x 1/4" flt	1	\$5.99 ea	77	B102	nut, brass, 1/4" x 1/4" flt	1	\$1.99 ea
9	H186	screw, 10-32 x 3/4, pan head, 1/4" thread	2	\$5.99 ea	78	B654	ball, valve, 1/4"	1	\$13.99 ea
10	H321	rod, 18-8, 1/2" dia, 1/4" thread	1	\$5.99 ea	79	B109	coupler, brass, 1/4" x 1/4" flt	1	\$1.99 ea
11	H254	washer, 1/4" flat, 1/4"	10	\$0.99 ea	80	PH434-36	coupler, brass, 1/4" x 1/4" flt	1	\$6.49 ea
12	H102	washer, 1/4" flat, 1/4"	2	\$7.99 ea	81	H485	handle, aluminum, 6061 block	1	\$5.99 ea
13	H104	washer, 1/4" flat, 1/4"	2	\$0.99 ea	82	H316	ball, 1/4-20 x 1/2, stainless steel	2	\$0.99 ea
14	H676	washer, 1/2" flat, 1/2"	4	\$0.99 ea	83	H528	bracket, front hinge, 307B	1	\$8.99 ea
15	H220	nut, lock, 1/2" hex	2	\$1.99 ea	84	H201	ball, 1/4-20 x 1/2, stainless steel	2	\$0.99 ea
16	H220	nut, lock, 1/2" hex	2	\$1.99 ea	85	H529	washer, 11/16" x 1 1/2" x 1/2" x 1/2" x 1/2"	4	\$0.99 ea
17	E550	filtra, 18mm, external	2	\$1.49 ea	86	B216	rod, brass, 3/8" x 3/8" x 3/8"	1	\$1.99 ea
18	P731	power cord, 10-32 x 3/4 pan head, zinc	2	\$14.99 ea	87	B210	burning, brass, 1/2" x 1/2" x 1/2"	1	\$2.49 ea
19	H256	screw, 10-32 x 3/4 pan head, zinc	6	\$0.99 ea	88	B119A	filter, 18mm, 1/2"	1	\$4.69 ea
20	H528	bracket, heater mounting, dual	2	\$78.99 ea	89	H510	nut, lock, 1/2" hex	2	\$1.99 ea
21	H303A	header, aluminum, coat. angle	2	\$78.99 ea	90	H510	nut, lock, 1/2" hex	2	\$1.99 ea
22	E571	heating rod, 600W, 115V	1	\$49.99 ea	91	H433	coupler, brass, 1/2" x 1/2" flt	2	\$2.99 ea
23	E574	Thermatrol, 310T-1, 10P, Manual, 1/4"	2	\$17.99 ea	92	PH433-12	rod, brass, 1/2"	2	\$4.99 ea
24	H274	screw, 6 x 3/16, pan head, self-tapping	10	\$0.99 ea	93	H225	rod, brass, 1/2"	1	\$3.19 ea
25	E573	Thermatrol, 2007, Auto, 1/4"	2	\$16.49 ea	100	P733	rod, brass, 1/2"	1	\$3.19 ea
26	E519	heating rod, 1000W, 115V	1	\$51.99 ea	101	A926	elbow, inlet assembly, 2"	1	\$11.99 ea
27	B077	elbow, brass, 90 deg, 1/4" x 1/4" flt	1	\$5.99 ea	102	G091	rod, brass, 1/2"	1	\$1.99 ea
28	B107	rod, brass, 1/4" x 1/4" flt	5	\$3.19 ea	103	G090	rod, brass, 1/2"	1	\$1.99 ea
29	AH156	rod, 3/8" x 6.5", (OAL) 1 x 1/4" x 5/8" x 4/8"	5	\$23.99 ea	104	H135	Cull's Vyn, 2" m cuff, 2" mpt	1	\$36.99 ea
30	B103	elbow, brass, 90 deg, 1/4" x 1/4" flt	5	\$4.49 ea	105	E578	light, indicator, 125v, amber	1	\$9.99 ea
31	B113	rod, brass, 1/4" x 1/4" flt	1	\$6.99 ea	106	H337	photo, switch, 1000SX	1	\$8.99 ea
32	B643	rod, brass, 3/8" x 1/4" x 1/4" flt	1	\$4.99 ea	107	E511	light, red, 250v	2	\$5.99 ea
33	AH120	rod, brass, 1/4" x 1/4" flt	1	\$4.99 ea	108	E515	rod, brass, 1/2"	3	\$13.99 ea
34	B959	rod, brass, 1/4" x 1/4" flt	1	\$3.59 ea	109	E516	rod, brass, 1/2"	1	\$14.99 ea
35	B660	rod, brass, 1/4" x 1/4" flt	1	\$10.49 ea	110	H412	screw, 10-32 x 1/2" x 1/2" x 1/2"	1	\$0.99 ea
36	AH184	rod, 3/8" x 6.5", (OAL) 1 x 1/4" x 5/8" x 4/8"	2	\$31.99 ea	111	H416	washer, 1/4" x 1/4" x 1/4"	3	\$0.99 ea
37	B652	rod, brass, 90 deg, 3/8" x 1/4" x 1/4" flt	3	\$6.49 ea	112	H546	screw, 8-32 x 3/8" x 1/2" x 1/2"	2	\$0.99 ea
38	B269A	rod, brass, 1/4" x 1/4" flt	3	\$15.99 ea	113	H380	rod, brass, 1/2"	1	\$38.99 ea
39	C313A	rod, brass, 1/4" x 1/4" flt	3	\$8.99 ea	114	AH203	rod, brass, 1/2"	1	\$47.99 ea
40	B186	pump, CAN 50-500 PSI, 120/240v	1	\$59.99 ea	115	H584	rod, brass, 1/2"	6	\$3.99 ea
41	B105	rod, brass, 90 deg, 3/8" x 1/4" x 1/4" flt	1	\$3.19 ea	116	H584	rod, brass, 1/2"	6	\$3.99 ea
42	B105	rod, brass, 90 deg, 3/8" x 1/4" x 1/4" flt	1	\$3.19 ea	117	C302A	rod, brass, 1/2"	2	\$139.99 ea
43	PH435-36	rod, brass, 1/2" x 1/2" x 1/2"	1	\$5.99 ea	118	G004	rod, brass, 1/2"	2	\$8.99 ea
44	B644	rod, brass, 1/2" x 1/2" x 1/2"	1	\$2.49 ea					
45	B173	rod, brass, 1/2" x 1/2" x 1/2"	2	\$0.99 ea					
46	B160	rod, brass, 1/2" x 1/2" x 1/2"	1	\$3.49 ea					
47	B103	rod, brass, 1/4" x 1/4" flt, w/gasket	1	\$3.99 ea					
48	PH434-20	rod, brass, 1/4" x 1/4" x 1/4"	1	\$5.99 ea					
49	B170	rod, brass, 1/4" x 1/4" flt	3	\$0.99 ea					
50	B119	rod, brass, 1/4" x 1/4" flt	1	\$3.99 ea					
51	H644	rod, brass, 1/4" x 1/4" flt	1	\$7.99 ea					
52	H644	rod, brass, 1/4" x 1/4" flt	1	\$7.99 ea					
53	C132C	rod, brass, 1/4" x 1/4" flt	1	\$5.99 ea					
54	C132C	rod, brass, 1/4" x 1/4" flt	1	\$5.99 ea					
55	H212	rod, brass, 1/4" x 1/4" flt	8	\$0.99 ea					
56	H912	rod, brass, 1/4" x 1/4" flt	1	\$9.99 ea					
57	H124	Cull's Vyn, 2" mpt x 2" female cuff	2	\$3.99 ea					
58	H194	coupler, 2" dia x 2.5" length, 1/4"	2	\$10.00 ea					
59	H017	rod, brass, 2" dia, 1/4" dia	4	\$1.49 ea					
60	PH428-20	rod, brass, 1/4" x 1/4" flt	2	\$8.99 ea					
61	P732	rod, brass, 1/2"	2	\$14.99 ea					
62	H900A	rod, brass, 1/2"	2	\$6.99 ea					
63	PH412-60	rod, brass, 1/2" x 3/8" x 3/8" x 1/4" flt	1	\$1.99 ea					
64	B441	rod, brass, 3/8" x 3/8" x 1/4" flt	1	\$1.99 ea					
65	H178	rod, brass, 1/4" x 1/4" flt	1	\$10.99 ea					
66	G018	cover, rod tank top	6	\$12.99 ea					
67	H003	rod, brass, 1/4" x 1/4" flt	2	\$0.99 ea					
68	H011	washer, 1/4" x 1/4" flt, 1/4"	6	\$0.99 ea					
69	G002	washer, brass, 1/16" x 1/16" x 1/4" flt	6	\$1.99 ea					

ITEMS NOT SHOWN

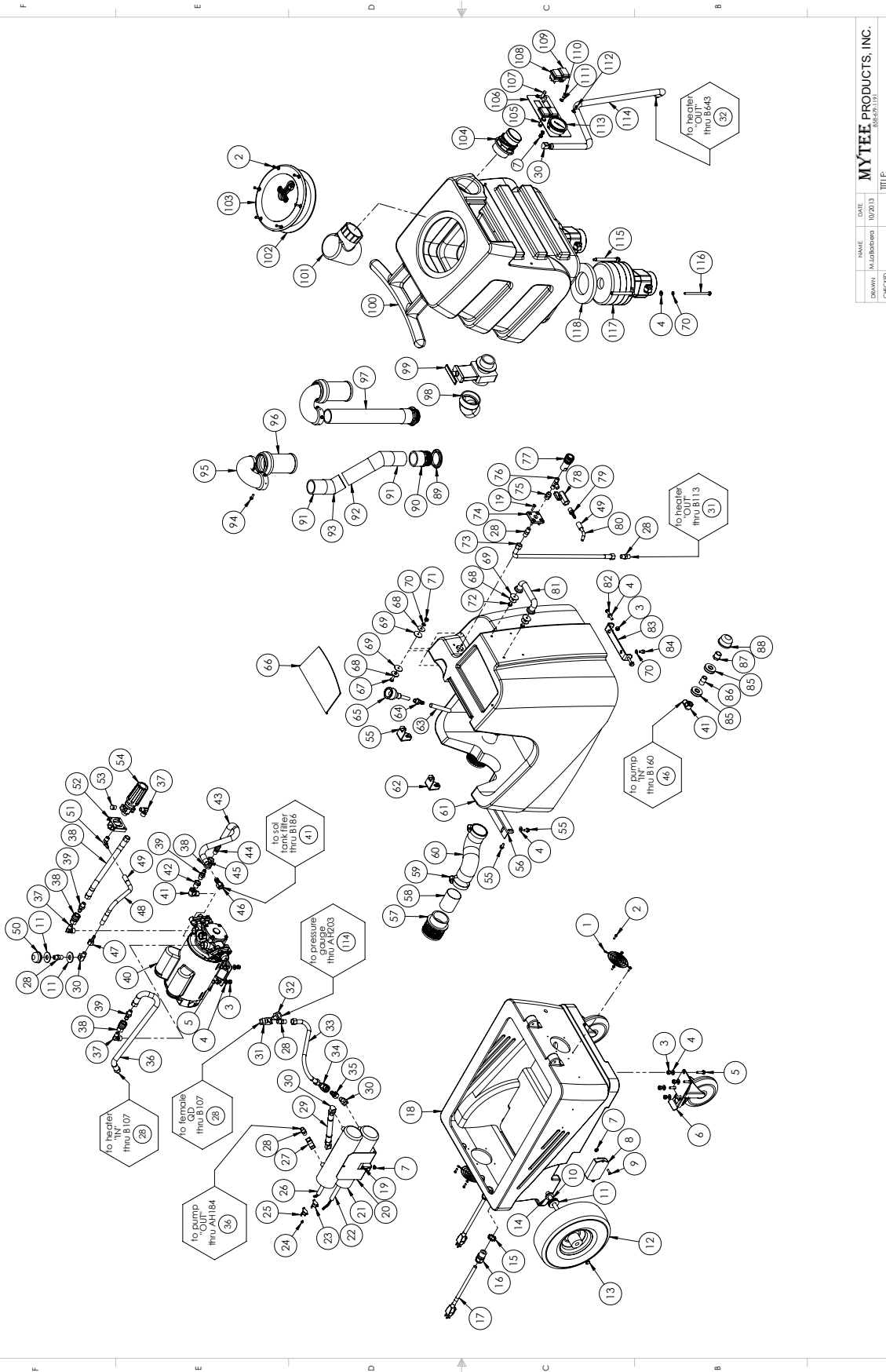
PART NO.	DESCRIPTION	QTY.	MSRP
E800	harness, electrical	1	\$129.99 ea
C008	pin, flat	1	\$6.29 ea
H325	hanger, wire, laminated, hose	1	\$10.99 ea
H220	screw, 10-32 x 1/2" pan head, 1/4"	2	\$0.99 ea
H141	Cull's Vyn, 2" mpt x 1/2" mpt	1	\$3.99 ea
E500	power cord, 10-32 x 3/4 pan head, zinc	2	\$14.99 ea
H110	Cull's Vyn, 2" hose x 27" mpt, stainless steel	1	\$14.99 ea
P568A	card, brass, 1/4" x 1/4" x 1/4"	2	\$8.99 ea
P590	collar, 1/4" x 1/4" x 1/4"	1	\$2.99 ea
ADM-SPEEDSTERS	manus, stainless steel	1	\$8.99 ea



MYTEE PRODUCTS, INC.
 speedster
 1003DX
 SCALE: 1/8" = 1"

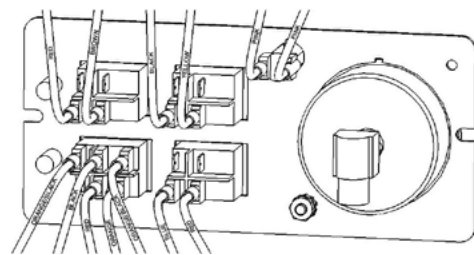
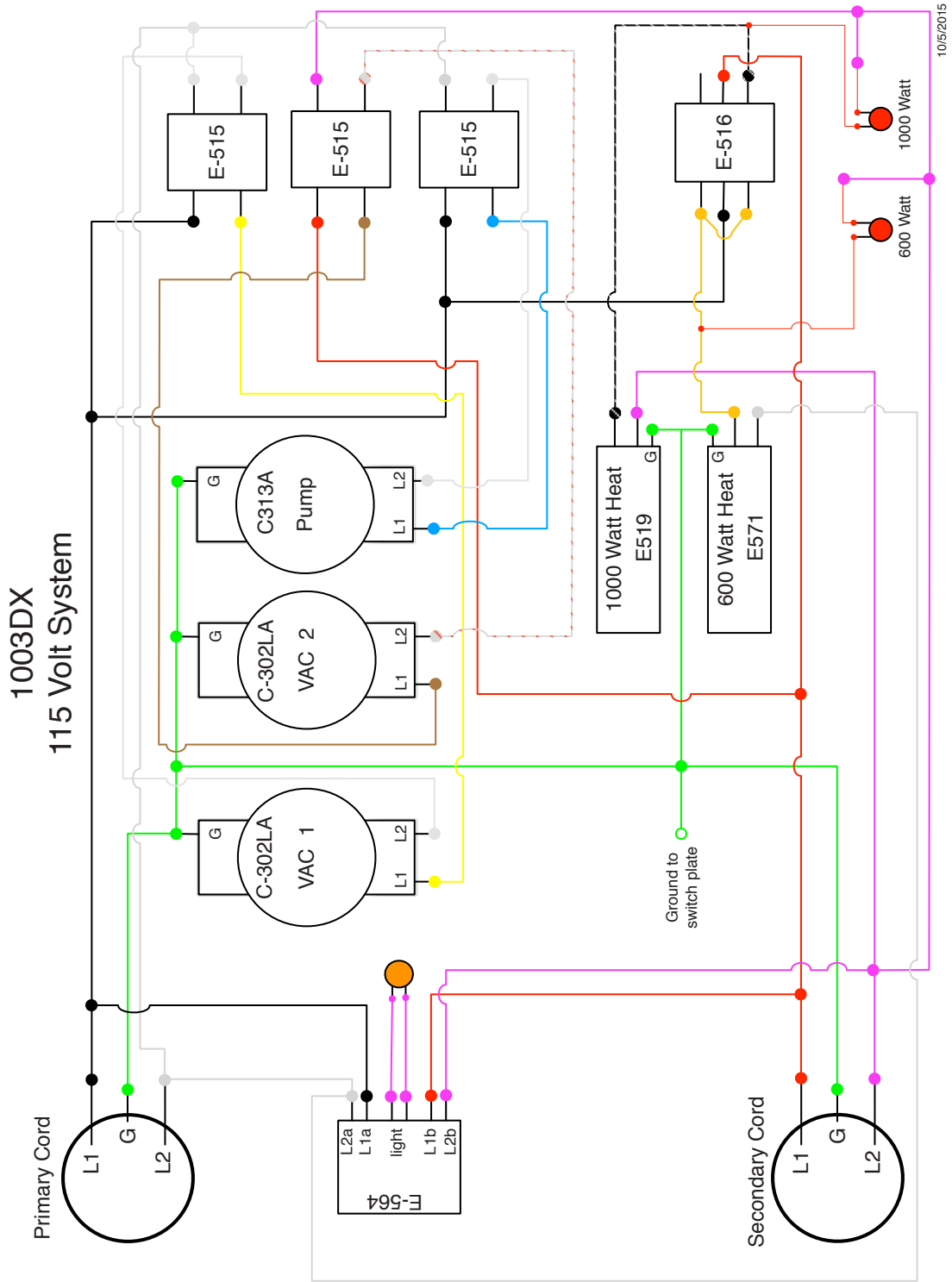
Part prices are subject to change.

1003DX SPEEDSTER PARTS & PRICING



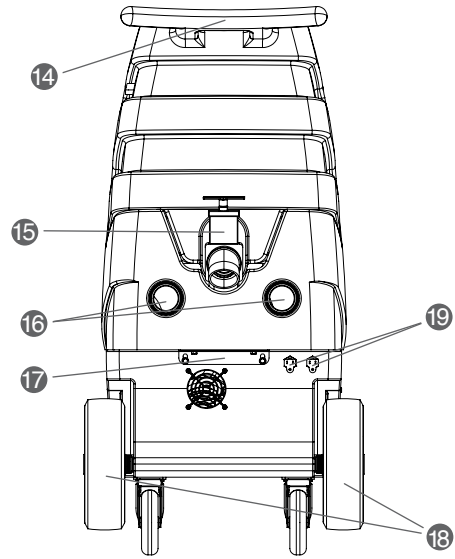
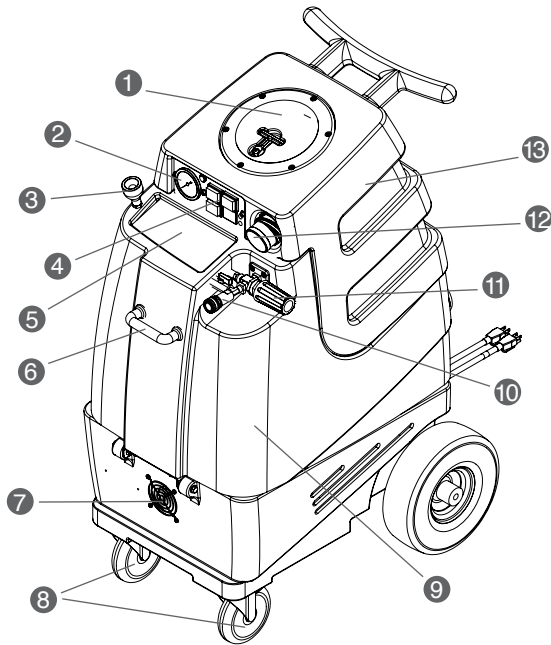
NAME	DATE	MYTEE PRODUCTS, INC.
DRAWN	10/20/13	1003DX
CHECKED		speedster
COMMENTS:		
<p>REVISIONS AND COMMENTS: THIS DRAWING IS THE PROPERTY OF MYTEE PRODUCTS, INC. ANY REPRODUCTION OR MODIFICATION OF THIS DRAWING WITHOUT THE WRITTEN PERMISSION OF MYTEE PRODUCTS, INC. IS PROHIBITED.</p>		
SIZE	DWG. NO.	REV.
C	1003DX	G
SCALE:	1:48	SHEET 2 OF 3

1003DX SPEEDSTER WIRING SCHEMATIC



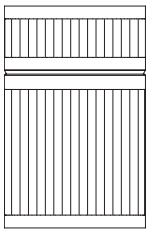
1005DX SPEEDSTER

1005DX SPEEDSTER® FEATURES

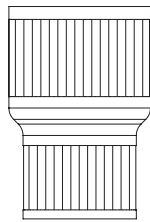


- | | | | |
|----------------------------|-----------------------------|-------------------------------|----------------------------|
| 1. Clear recovery tank lid | 6. Front handle | 11. Pressure regulator | 16. Rear exhaust ports |
| 2. Pressure gauge | 7. Front vent | 12. 2" male Cuff-Lynx™ | 17. Rear bracket |
| 3. Faucet fill hose | 8. 5" locking casters | 13. Recovery tank | 18. 10" foam-filled wheels |
| 4. Switch plate | 9. Solution tank | 14. Rear push handle | 19. Power cord pigtails |
| 5. Solution tank lid | 10. Female quick disconnect | 15. Recovery tank drain valve | |

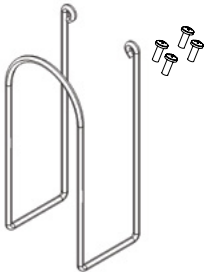
ITEMS INCLUDED



H110 Cuff-Lynx™
2" Hose Adapter



H141 Cuff-Lynx™
2" Hose Reducer to 1.5"



H375-Hose Hanger
(4) screws

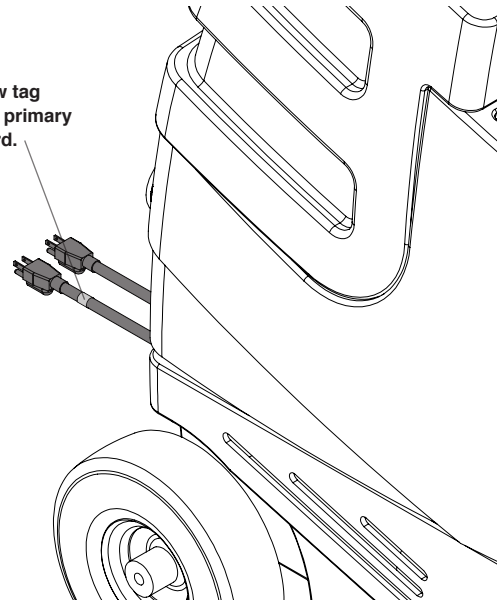


H226 Drain Elbow

POWER CORD

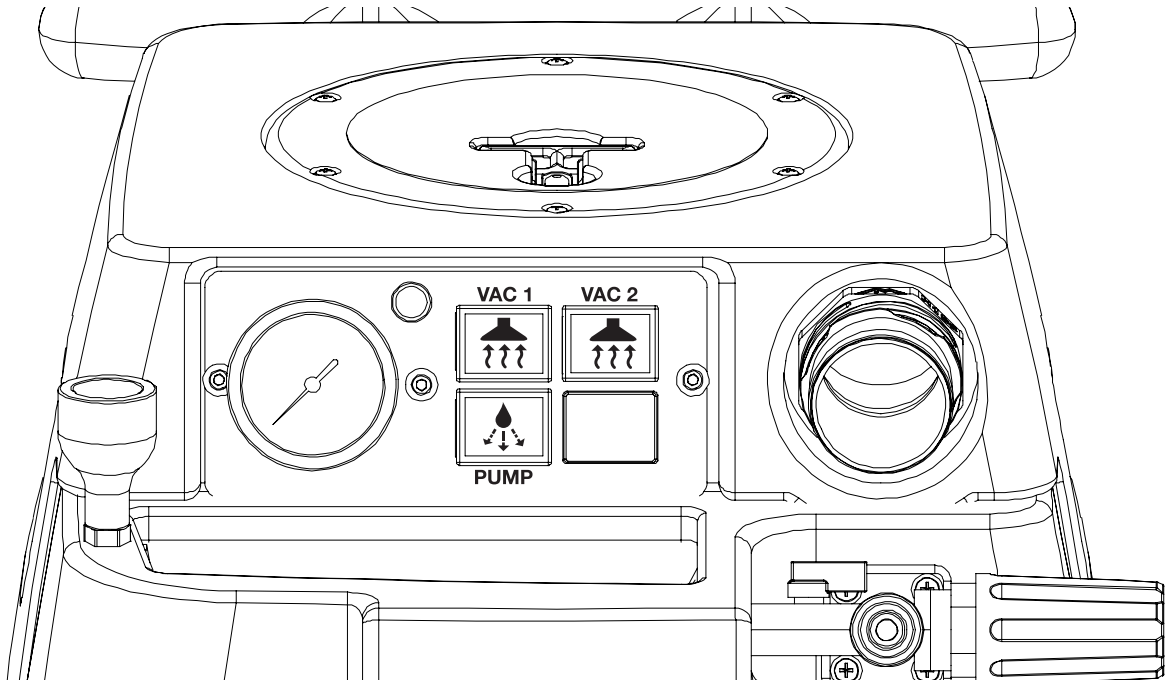
**Left cord: Powers power Vac 2.
Right cord: Powers Vac 1 & Pump.**

Yellow tag
indicates primary
cord.



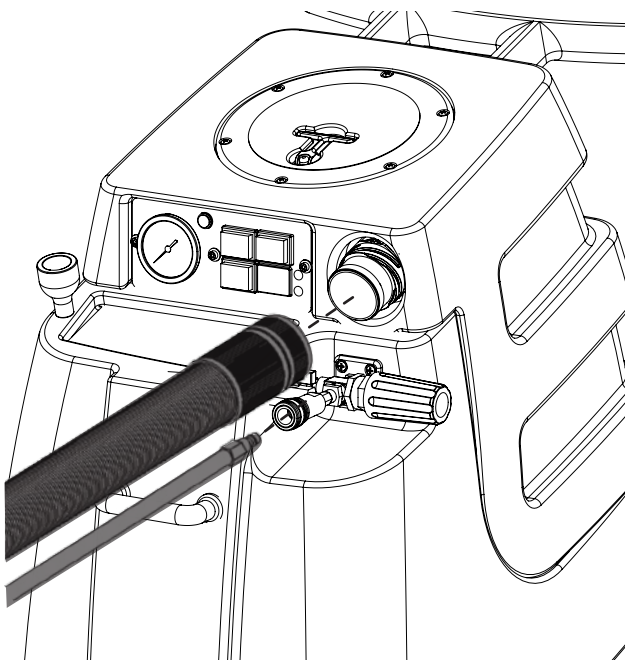
Plug each power cord into a separate, 20A grounded wall outlet. **Outlets must be on two separate breakers.** When the amber light on the switch plate illuminates, the machine is on separate circuits (not necessarily 20A circuits). You can identify the primary cord by the yellow tag.

SWITCH PLATE



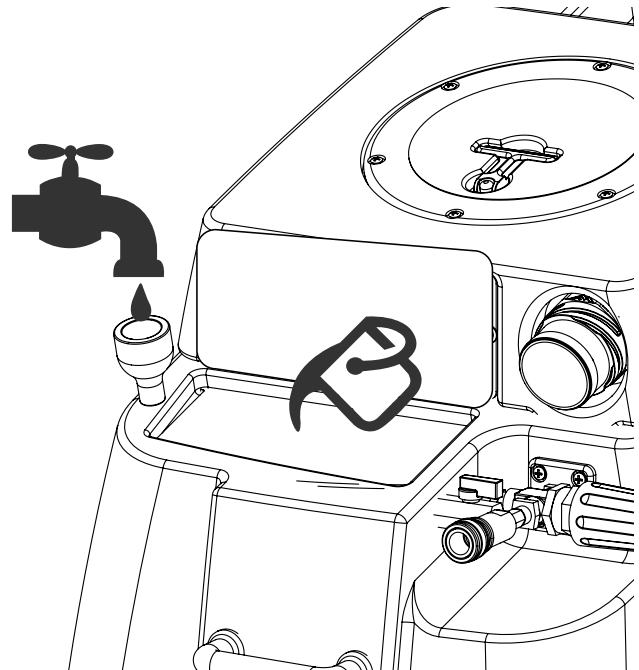
“On” switches are located on the plate in front of the machine. To use vacuums, turn on Vac 1 and Vac 2 switches. To use pump, turn on Pump switch.

VACUUM AND SOLUTION HOSE CONNECTIONS



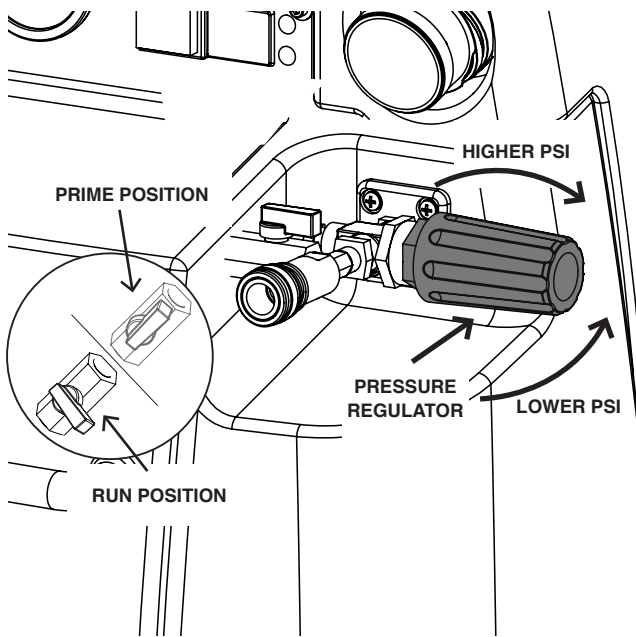
Attach one end of a solution hose to a wand or other tool, the other end to the Speedster's® front quick disconnect. Attach one end of a vacuum hose to the tool, the other end to the Speedster's® Cuff-Lynx™ vacuum hose port.

FILLING THE SOLUTION TANK



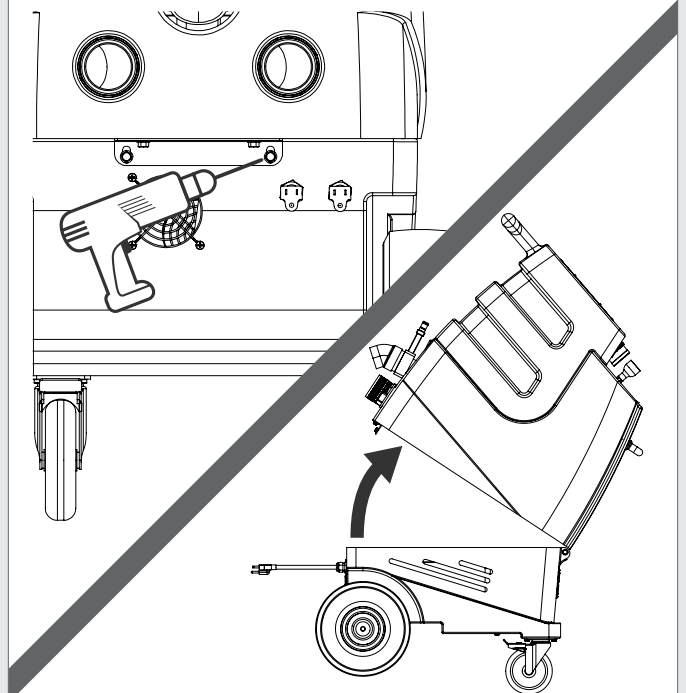
Lift lid and manually fill the solution tank or use the easy faucet fill. **IMPORTANT: Before refilling the solution tank, make sure the recovery tank is empty.**

PRIME VALVE & PRESSURE REGULATOR



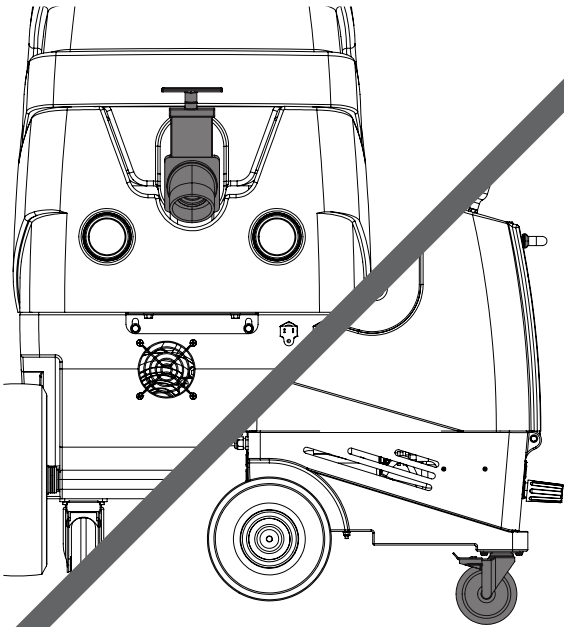
Prime the pump by turning the valve to the Prime position (as shown above) for 30 seconds, then turn right to the Run position. Turn the Pressure Regulator to the left to decrease water pressure. Turn the Pressure Regulator to the right to increase water pressure.

OPENING THE SPEEDSTER®



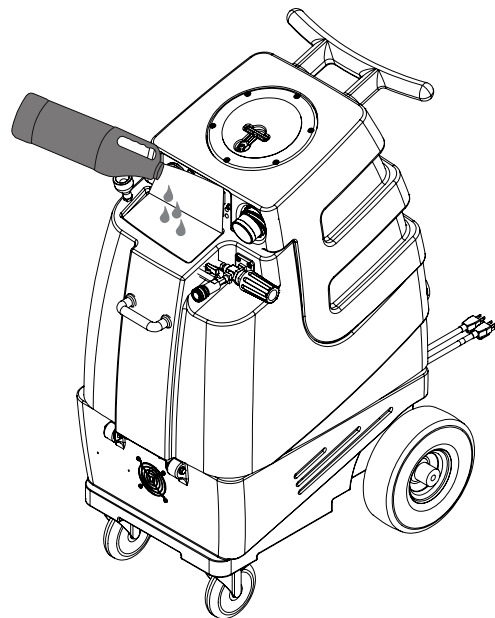
To open your Speedster® for maintenance, use a drill with a 3/8" bit to remove the bolts holding the Speedster's® body together. Lift up on the push handle to open the machine.

DUMP VALVE & LOCKING CASTERS



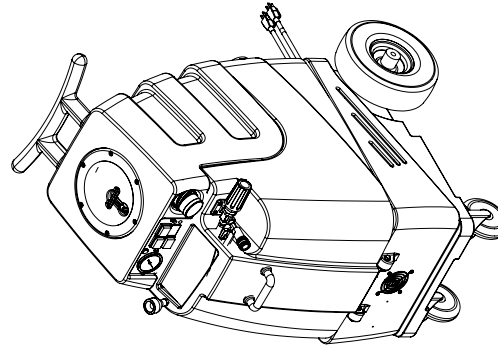
Above, empty the recovery tank by attaching the 45° drain elbow to the drain spout in back. Lift up the dump valve and empty the tank. Below, locking casters help keep the machine remain stationary during use.

MYTEE® SYSTEM MAINTAINER



Weekly flushing of the solution system with Mytee® System Maintainer helps keep lines clean and prevents chemical build-up, improving pump life, performance and pressure.

1005DX SPEEDSTER PARTS & PRICING



NAME	DATE	REV
MALDEN	10/2013	
CHECKED		

MYTEE PRODUCTS, INC.
TITLE: speedster

SIZE: DWG. NO. **G005DX (2016)F**
SCALE: 1:8 SHEET 1 OF 3

FORWARD AND CONFIDENTIAL
DRAWINGS ARE THE PROPERTY OF MYTEE PRODUCTS, INC. AND ARE NOT TO BE REPRODUCED OR TRANSMITTED IN ANY FORM OR BY ANY MEANS, ELECTRONIC OR MECHANICAL, INCLUDING PHOTOCOPYING, RECORDING, OR BY ANY INFORMATION STORAGE AND RETRIEVAL SYSTEM.

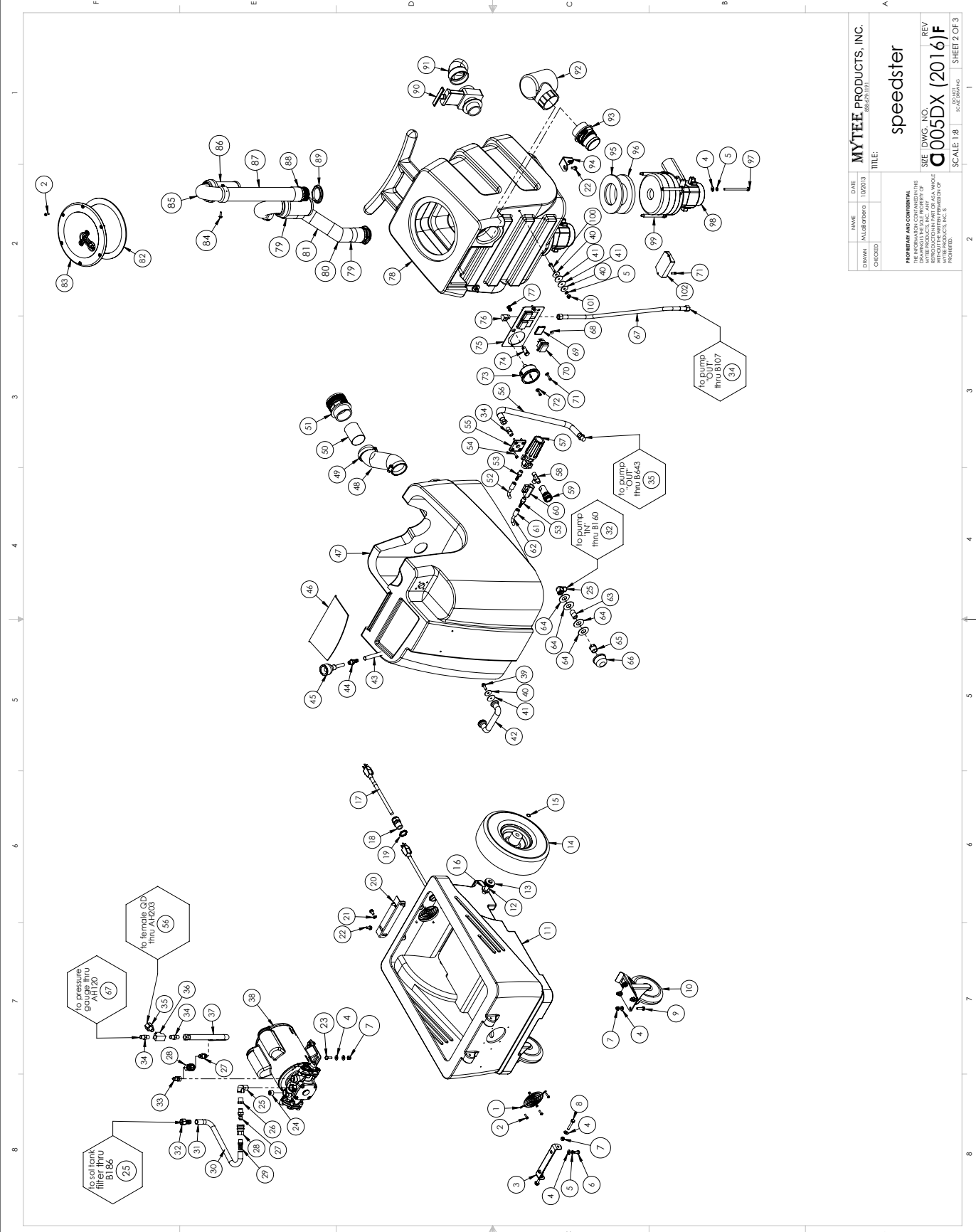
ITEM NO.	PART NO.	DESCRIPTION	QTY.	MSRP
1	H296	guard, cooling fan, wire	2	\$2.99 ea
2	H304	screw, 8 x 5/8", phill oval, s/s	14	\$0.99 ea
3	H378	bracket, front hinge, sp/fib	1	\$8.99 ea
4	H210	washer, 1/4" flat, s/s	26	\$0.99 ea
5	H213	washer, 1/4" lock, s/s	10	\$0.99 ea
6	H201	bolt, 1/4-20 x 1/2", hex head, zinc	2	\$0.99 ea
7	H216	nut, lock, 1/4-20, nylon insert, s/s	14	\$0.99 ea
8	H316	bolt, 1/4x1-1/2", hex head zinc	2	\$0.99 ea
9	H342	bolt, 1/4-20 x 1", hex head, s/s	8	\$0.99 ea
10	H666	caster, 5", black hub & gray head	2	\$23.19 ea
11	P731	base	1	\$141.99 ea
12	H371	axle, 18.03" x .50" dia	1	\$9.99 ea
13	H254	washer, axle, cot 1/2" id	8	\$0.99 ea
14	H109	wheel, 10", foam filled	2	\$79.99 ea
15	H042	c-clip, 12mm, external	2	\$0.99 ea
16	H876	washer, 1/2" flat, s/s	4	\$0.99 ea
17	E550	power cord, pigtail, 30", 12/3, black	2	\$11.49 ea
18	H220	lifting, strain relief, cord	2	\$3.19 ea
19	H221	nut, lock, 1/2" steel	2	\$1.99 ea
20	H912	bracket, rear, fb/spy	1	\$9.99 ea
21	H507	washer, star, 1/4" steel zinc	2	\$0.99 ea
22	H770	bolt, 1/4-20 x 1/2" serrated hex flange, zinc	8	\$0.99 ea
23	H202	bolt, 1/4x20x3/4" hex head	4	\$0.99 ea
24	B246	plug, brass, 3/8" hex	1	\$1.99 ea
25	B186	elbow, brass, 90 deg, 3/8" mpt x 3/8" fmp	2	\$8.99 ea
26	B105	bushing, brass, 3/8" mpt x 1/4"	1	\$3.19 ea
27	B260A	qd, brass, 1/4" mqd x 1/4"	2	\$8.99 ea
28	B259A	qd, brass, 1/4" qd x 1/4"	2	\$15.99 ea
29	B644	adapter, brass, 1/2" barb x 1/4" mpt	1	\$2.49 ea
30	PH615-37	sol hose, 1/2", kurt, 100 psi	1	\$8.99 ft
31	B173	female, 1/2", brass	2	\$0.99 ea
32	B160	adapter, brass, 1/2" barb x 3/8" fsw, ball end	1	\$3.49 ea
33	B652	elbow, brass, 90 deg, 3/8" mpt x 1/4" mpt	1	\$8.49 ea
34	B107	nipple, brass, 1/4" m, hex	3	\$3.19 ea
35	B443	adapter, brass, 3/8" fmp x 1/4" mmp	1	\$4.99 ea
36	B113	tee, brass, 1/4" fpi	1	\$6.99 ea
37	AH184	hose, pulse blk 4ft(OAL), 1/4" fsw x 1/4" fsw	1	\$19.99 ea
38	C313A	pump, CAT, 50-500 PSI, 120/240v	1	\$599.99 ea
39	H768	bolt, 1/4-20 x 3/4" serrated hex flange, zinc	2	\$0.99 ea
40	H211	washer, 1/4" dia x 1" od, flat, s/s	6	\$0.99 ea
41	C052	washer, buna 1-1/8" od x 3/16" id	6	\$1.99 ea
42	H485	handle, aluminum grip, black	1	\$6.99 ea
43	PH612-60	clear tubing, 1/2" OD x 3/8" ID, faucet fill	1	\$1.99/ft
44	B241	adapter, brass, 3/8" barb x 1/4" mpt	1	\$1.99 ea
45	H178	faucet fill	1	\$10.99 ea
46	G018	cover, sol tank (fp)	1	\$12.99 ea
47	P732	sol tank	1	\$0.99 ea
48	PH628-24	vac hose, 2" wire reinforced, gray	2	\$8.99/ft
49	H217	clamp, hose, 2-1/4" dia	4	\$1.49 ea
50	H194	coupler, 2" dia x 2.5" length, s/s	2	\$10.00 ea
51	H124	Cuff-Lynx, 2" mpt x 2" female cuff	2	\$3.99 ea
52	PH634-20	sol hose, 1/4", 300 PSI	1	\$6.49 ft
53	B109	adapter, brass, 1/4" barb x 1/4" mpt	2	\$1.99 ea
54	H256	screw, 10-32 x 3/4" phill pan head, zinc	4	\$0.99 ea
55	H484	plate, mounting, QD	1	\$4.99 ea
56	AH203	hose, pulse blk 4ft(OAL), 1/4" fsw x 1/4" fsw	1	\$19.99 ea
57	C313C	regulator, 450 psi, silver spring	1	\$66.99 ea
58	B135	tee, brass, 1/4" mpt	1	\$5.49 ea
59	B102	qd, brass, 1/4" x 1/4" fpi	1	\$1.99 ea
60	B656	ball valve, 1/4"	1	\$13.49 ea
61	B170	female, 1/4" brass	2	\$0.99 ea
62	PH634-36	sol hose, 1/4", 300 PSI	1	\$6.49 ft

ITEMS NOT SHOWN

PART NO.	DESCRIPTION	QTY.	MSRP
A995	harness, electrical	1	\$78.99 ea
G008	piglet file	1	\$6.29 pak
H375	hanger, wire formed, hose	1	\$10.99 ea
H230	screw, 10-32 x 1/2" phill pan head, s/s	2	\$0.99 ea
H141	Cuff-Lynx, 2" to 1.5" reducer	1	\$3.99 ea
E530	power cord, ext 50', 12/3 black	2	\$74.99 ea
H110	Cuff-Lynx, 2" hose x 2" fern swivel Cuff-Lynx	1	\$3.99 ea
P568A	card lock, s-type	2	\$8.99 ea
ADM-SPEEDSTERS	manual, speedsters	1	\$62.99 ea

Part prices are subject to change.

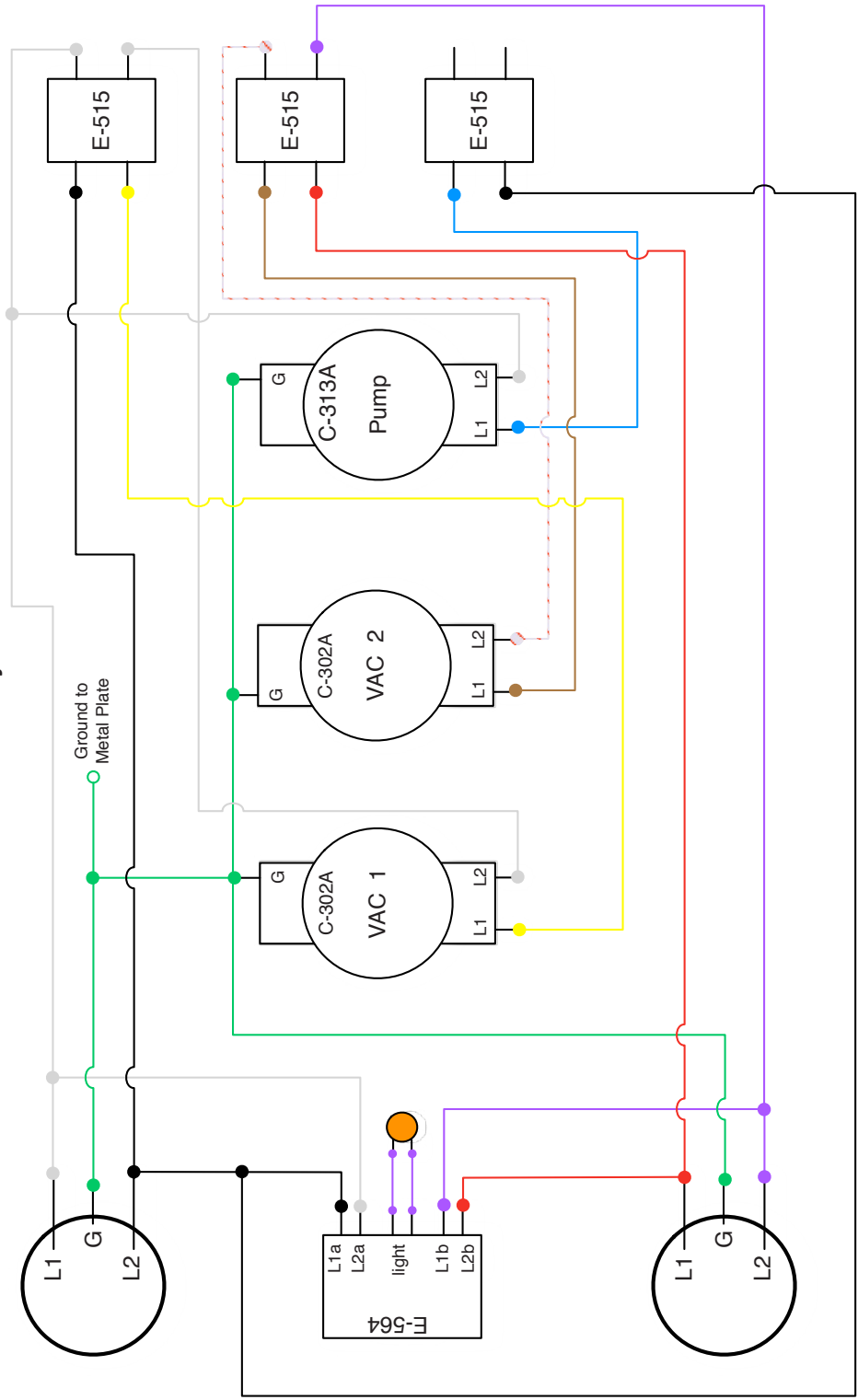
1005DX SPEEDSTER PARTS & PRICING



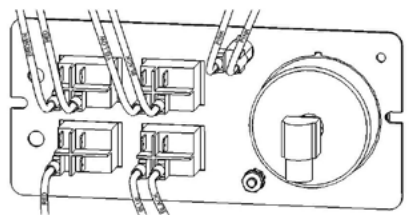
NAME	DATE	MYTEE PRODUCTS, INC.
DRAWN	10/2013	REVISED
CHECKED		TITLE:
		speedster
<small> PROPRIETARY AND CONFIDENTIAL DRAWINGS ARE THE PROPERTY OF MYTEE PRODUCTS, INC. AND ARE NOT TO BE REPRODUCED IN ANY MANNER WITHOUT THE WRITTEN PERMISSION OF MYTEE PRODUCTS, INC. </small>		SIZE DWG. NO. REV C005DX (2016)JF
SCALE: 1:8		SHEET 2 OF 3

1005DX SPEEDSTER WIRING SCHEMATIC

1005DX 115 Volt System



8/8/2016



NOTES



Mytee Products Inc.
13655 Stowe Dr.
Poway, CA 92064
www.mytee.com

© 2017 Mytee Products Inc.
Printed in the U.S.A.